

BALDOR® • RELIANCE 

Product Information Packet

ECTM4103T

25 AIR OVERHP, 1775RPM, 3PH, 60HZ, 284T, 1054

Part Detail							
Revision:	C	Status:	PRD/A	Change #:		Proprietary:	No
Type:	AC	Elec. Spec:	10WGZ651	CD Diagram:	CD0180	Mfg Plant:	
Mech. Spec:	10K189	Layout:	10LYK189	Poles:	04	Created Date:	10-19-2017
Base:	RG	Eff. Date:	06-27-2018	Leads:	9#10		

Specs			
Catalog Number:	ECTM4103T	Heater Indicator:	No Heater
Enclosure:	TEAO	Insulation Class:	F
Frame:	284T	Inverter Code:	Inverter Ready
Frame Material:	Iron	KVA Code:	J
Output @ Frequency:	25.000 HP @ 60 HZ	Lifting Lugs:	Vertical Lifting Lugs
Synchronous Speed @ Frequency:	1800 RPM @ 60 HZ	Locked Bearing Indicator:	Locked Bearing
Voltage @ Frequency:	460.0 V @ 60 HZ	Motor Lead Quantity/Wire Size:	9 @ 10 AWG
	230.0 V @ 60 HZ	Motor Lead Exit:	Ko Box
XP Class and Group:	None	Motor Lead Termination:	Flying Leads
XP Division:	Not Applicable	Motor Type:	1054M
Agency Approvals:	UR	Mounting Arrangement:	F1
	CSA EEV	Power Factor:	81
	CSA	Product Family:	Super-E Chemical Processing
Auxillary Box:	No Auxillary Box	Pulley End Bearing Type:	Sealed Bearing
Auxillary Box Lead Termination:	None	Pulley Face Code:	Standard
Base Indicator:	Rigid	Pulley Shaft Indicator:	Standard
Bearing Grease Type:	Polyrex EM (-20F +300F)	Rodent Screen:	None
Blower:	None	Shaft Extension Location:	Pulley End

Current @ Voltage:	31.000 A @ 460.0 V	Shaft Ground Indicator:	No Shaft Grounding
	62.000 A @ 230.0 V	Shaft Rotation:	Reversible
	64.000 A @ 208.0 V	Shaft Slinger Indicator:	Shaft Slinger
Design Code:	A	Speed Code:	Single Speed
Drip Cover:	No Drip Cover	Motor Standards:	NEMA
Duty Rating:	CONT	Starting Method:	Direct on line
Electrically Isolated Bearing:	Not Electrically Isolated	Thermal Device - Bearing:	NONE (OLD)
Feedback Device:	NO FEEDBACK	Thermal Device - Winding:	None
Front Face Code:	Standard	Vibration Sensor Indicator:	No Vibration Sensor
Front Shaft Indicator:	None	Winding Thermal 1:	None
		Winding Thermal 2:	None

Nameplate NP1260E			
CAT.NO.	ECTM4103T		
SPEC.	10K189Z651G1		
HP	25 AIR OVER		
VOLTS	230/460		
AMP	62/31		
RPM	1775		
FRAME	284T	HZ	60
SER.F.	1.15	CODE	J
NEMA-NOM-EFF	93.6	DES	A
RATING	40C AMB-CONT	PF	81
CC		PH	3
DE	6311	CL	F
ENCL	TEAO	ODE	6309
	2050 FPM @ 520CFM	USABLE AT 208V	64
		SN	

Parts List		
Part Number	Description	Quantity
SA346613	SA 10K189Z651G1	1.000 EA
RA335148	RA 10K189Z651G1	1.000 EA
10CB1000A132P	SPL KOBX W/1.50 NPT LD & 2 .125 NPT DRAI	1.000 EA
HA4044A00	PLUG,PIPE 1/8 NPT PLASTIC SQUARE HEAD	2.000 EA
09GS1010	GASKET, DWG, LEADWIRE SEPERATOR	1.000 EA
10XN3118K16	5/16-18 X 1' GRADE #5, STL, ZINC PLATE	4.000 EA
HW1001A31	LOCKWASHER 5/16, ZINC PLT.591 OD, .319 I	4.000 EA
WD1000B16	T&B CX70TN TERMINAL	1.000 EA
10XN2520K06	1/4-20 X 3/8" HX HD SCREWGRADE 5, ZINC P	1.000 EA
HW1001A25	LOCKWASHER 1/4, ZINC PLT .493 OD, .255 I	1.000 EA
10EP1104A109P	FREP MACH W/EPOXY PRMR,NO GRSR & RELIEF,	1.000 EA
HA7205	"L" SHAPE LIFTING LUG FOR 37,39 & 40 FRA	2.000 EA
10XN3816K28	3/8-16 X 1.75 HEX HD CAP SCREW, GRADE 5	4.000 EA
HW1001A38	LOCKWASHER 3/8, ZINC PLT .688 OD, .382 I	4.000 EA
HW5100A11	W3917-042 WVY WSHR (WB)	1.000 EA
10EP1105A129P	PUEP MACH W/EPOXY,LESS GRSR,DRAIN @ 3&9	1.000 EA
10XN3816K28	3/8-16 X 1.75 HEX HD CAP SCREW, GRADE 5	4.000 EA
HW1001A38	LOCKWASHER 3/8, ZINC PLT .688 OD, .382 I	4.000 EA
HW4600A49	CR #20643 SINGLE LIP SEAL	1.000 EA
HW4600B40	V-RING SLINGER 2.000 X 2.680 X .28 VITON	1.000 EA
HW4600G54	DOME SLINGER, 7.125 OD X 1.870/1.810 ID	1.000 EA
10XN3118K40	5/16-18 X 2.50" HEX HD, GRADE 5	4.000 EA
10CB1503A01P	CONDUIT BOX LIPPED LID, MACH W/EPXY PRMR	1.000 EA
14GS1003	GASKET CONDUIT BOX LID, NEOP	1.000 EA

Parts List (continued)		
Part Number	Description	Quantity
10XN2520K16	1/4-20 X 1" HX HD SCRW GRADE 5, ZINC P	4.000 EA
HW1001A25	LOCKWASHER 1/4, ZINC PLT .493 OD, .255 I	4.000 EA
HW2501H28	KEY, 1/2 SQ X 3.250	1.000 EA
MJ5001A27	32220KN GRAY SEALER *MIN BUY 4 QTS=1GAL	0.031 QT
MJ5001A14	DYNAPRO SEALANT, CP MTR VC#2508050 (603	0.033 EA
MJ5002A01	SILICON RUBBER SEALANT, 732CL 10.3 OZ TU	0.025 EA
LB1115N	LABEL,LIFTING DEVICE (ON ROLLS)	1.000 EA
LB1182	WARNING LABEL FOR MOTORS WITH EYENUTS	2.000 EA
LB1002N	LABEL,MARINE DUTY (ON ROLLS)	1.000 EA
HA4054	SHORT T-DRAIN FITTING, .125" N.P.T.	3.000 EA
MJ1000A02	GREASE, POLYREX EM EXXON (USe 4824-15A)	0.130 LB
HA4054	SHORT T-DRAIN FITTING, .125" N.P.T.	3.000 EA
MG1025G05	WILKOFASST, 789.227, MED. GRAY CHAR. MET.	0.070 GA
85XU0407S04	4X1/4 U DRIVE PIN STAINLESS	2.000 EA
LB1119N	WARNING LABEL	1.000 EA
LC0181	CONNECTION LABEL	1.000 EA
NP1260E	SS CP SUPER-E UL CSA CC	1.000 EA
10PA1000	PACKAGING GROUP COMBINED PRINT PK1023A06	1.000 EA
MN416A01	TAG-INSTAL-MAINT no wire (1200/bx) 5/18	1.000 EA

AC Induction Motor Performance Data

Record # 67461 - Typical performance - not guaranteed values

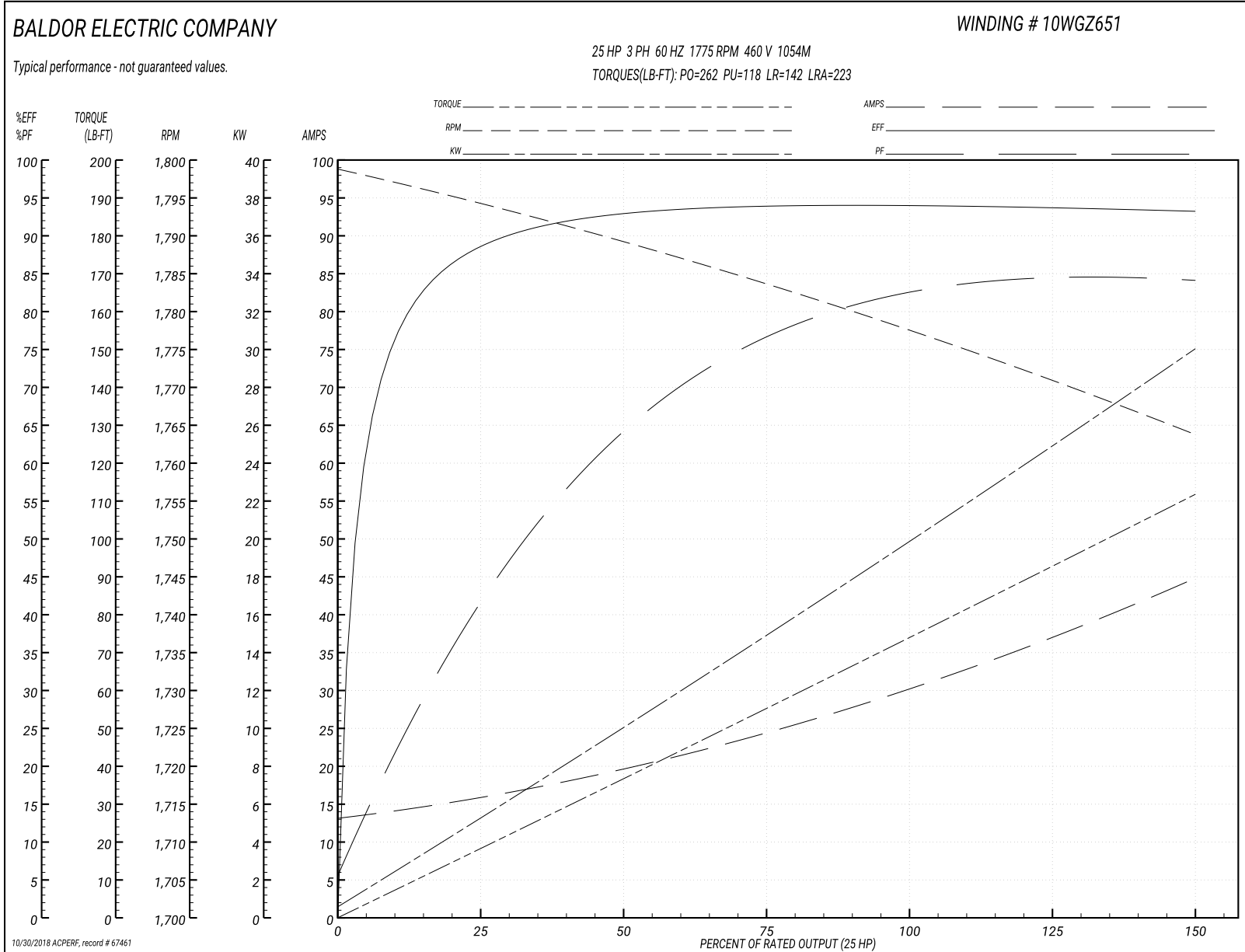
Winding: 10WGZ651-R003	Type: 1054M	Enclosure: TEAO
-------------------------------	--------------------	------------------------

Nameplate Data				460 V, 60 Hz: High Voltage Connection	
Rated Output (HP)	25 AIR OVER			Full Load Torque	74.02 LB-FT
Volts	230/460			Start Configuration	direct on line
Full Load Amps	62/31			Breakdown Torque	262 LB-FT
R.P.M.	1775			Pull-up Torque	118 LB-FT
Hz	60	Phase	3	Locked-rotor Torque	142 LB-FT
NEMA Design Code	A	KVA Code	J	Starting Current	223 A
Service Factor (S.F.)	1.15			No-load Current	13.6 A
NEMA Nom. Eff.	93.6	Power Factor	81	Line-line Res. @ 25°C	0.2345 Ω
Rating - Duty	40C AMB-CONT			Temp. Rise @ Rated Load	51°C
S.F. Amps				Temp. Rise @ S.F. Load	61°C
				Locked-rotor Power Factor	30.6

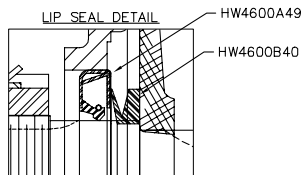
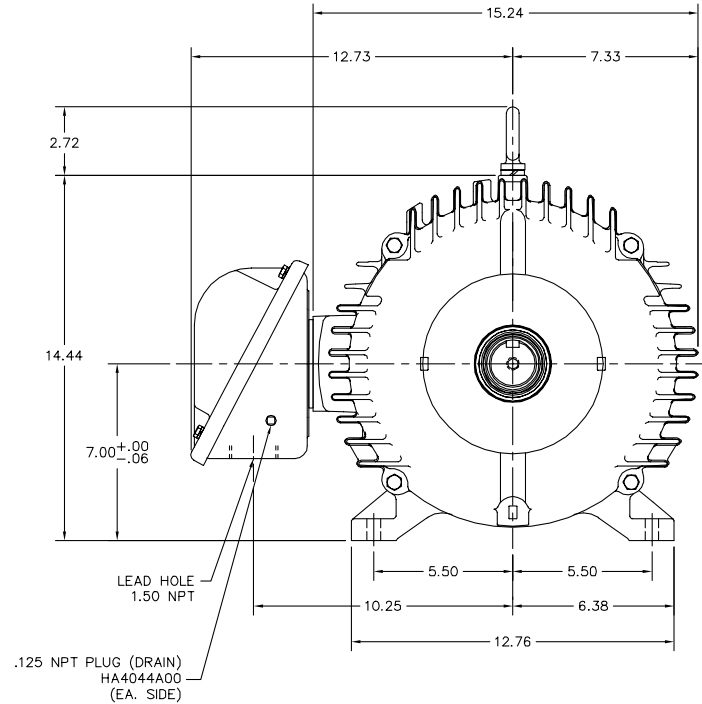
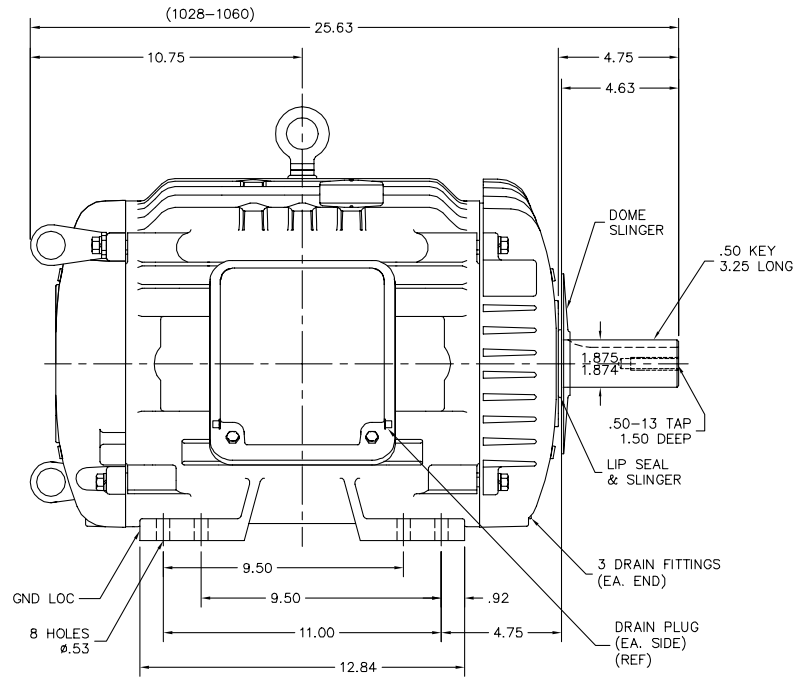
Load Characteristics 460 V, 60 Hz, 25 HP

% of Rated Load	25	50	75	100	125	150	S.F.
Power Factor	43	65	76	81	84	85	83
Efficiency	88.3	92.8	93.9	94	93.7	93.1	93.8
Speed	1794.1	1789.3	1783.5	1777.8	1770.8	1763.8	1774
Line amperes	15.3	19.3	24.6	30.6	37.2	44.5	34.6

Performance Graph at 460V, 60Hz, 25.0HP Typical performance - Not guaranteed values



10LYK189



CUSTOMER ONLY NOTE: FOR VERTICAL SHAFT UP LIFTING, REMOVE EYEBOLT FROM TOP OF MOTOR AND SCREW INTO END OF SHAFT.

CUSTOMER IS RESPONSIBLE FOR DETERMINING THAT BALDOR'S PRODUCT WILL PERFORM SUITABLY IN THE INTENDED APPLICATION.

REV. DESC: NEW	VERSION: 00	TDR: 000000936345
REV. LTR: -	REVISED: 08:11:35 08/17/2015	BY: ENKENHG
FILE: \AAA\00220\838		
MTL: -		

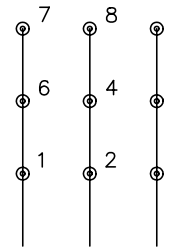
BALDOR
 HOR TEAO 284-6T CP COOLING TOWER W/SLD BRGS,VER LIF, LIP SL
 SH 1 of 1

68LYK101

CD0180



LOW VOLTAGE
(2D)



HIGH VOLTAGE
(1D)



NOTES:

1. INTERCHANGE ANY TWO LINE LEADS TO REVERSE ROTATION.
2. OPTIONAL THERMOSTATS ARE PROVIDED WHEN SPECIFIED.
3. ACTUAL NUMBER OF INTERNAL PARALLEL CIRCUITS MAY BE A MULTIPLE OF THOSE SHOWN ABOVE.
4. LEAD COLORS ARE OPTIONAL. LEADS MUST ALWAYS BE NUMBERED AS SHOWN.

REV. DESC: REVISE TO SHOW OPTIONAL COLORS			
REV. LTR: C	BY: JLP	REVISED: 01/21/99 2:28	TDR: 0171435
0810D0		FILE: AAA00005148	MDL: -
		MTL: -	

BALDOR ELECTRIC Co.

3PH, DV, 9 LEADS, DELTA CONNECTION

CD0180

Marketing maintained PDF of MN416:

<http://www.baldor.com/support/Literature/Load.ashx/MN416?ManNumber=MN416>