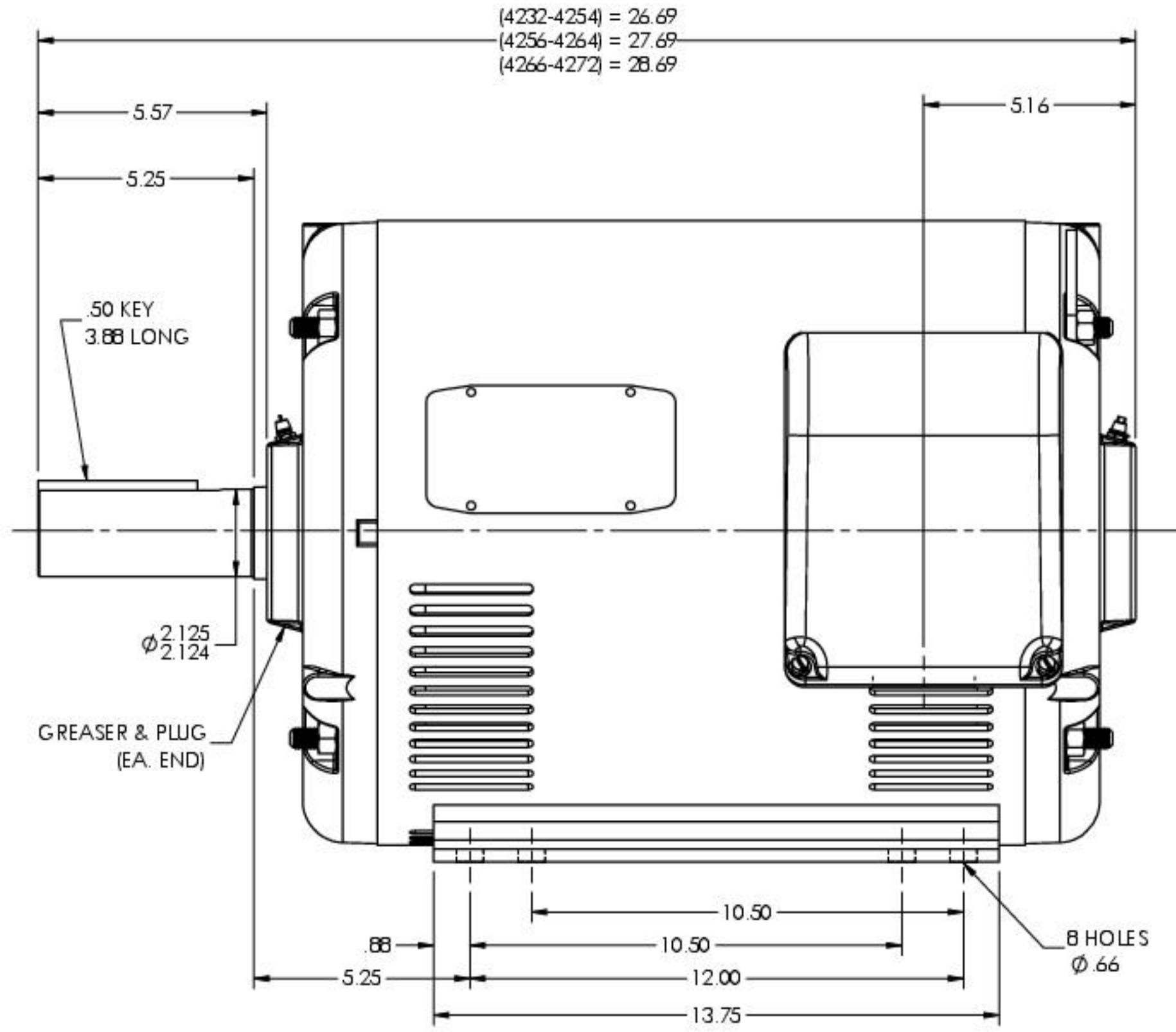
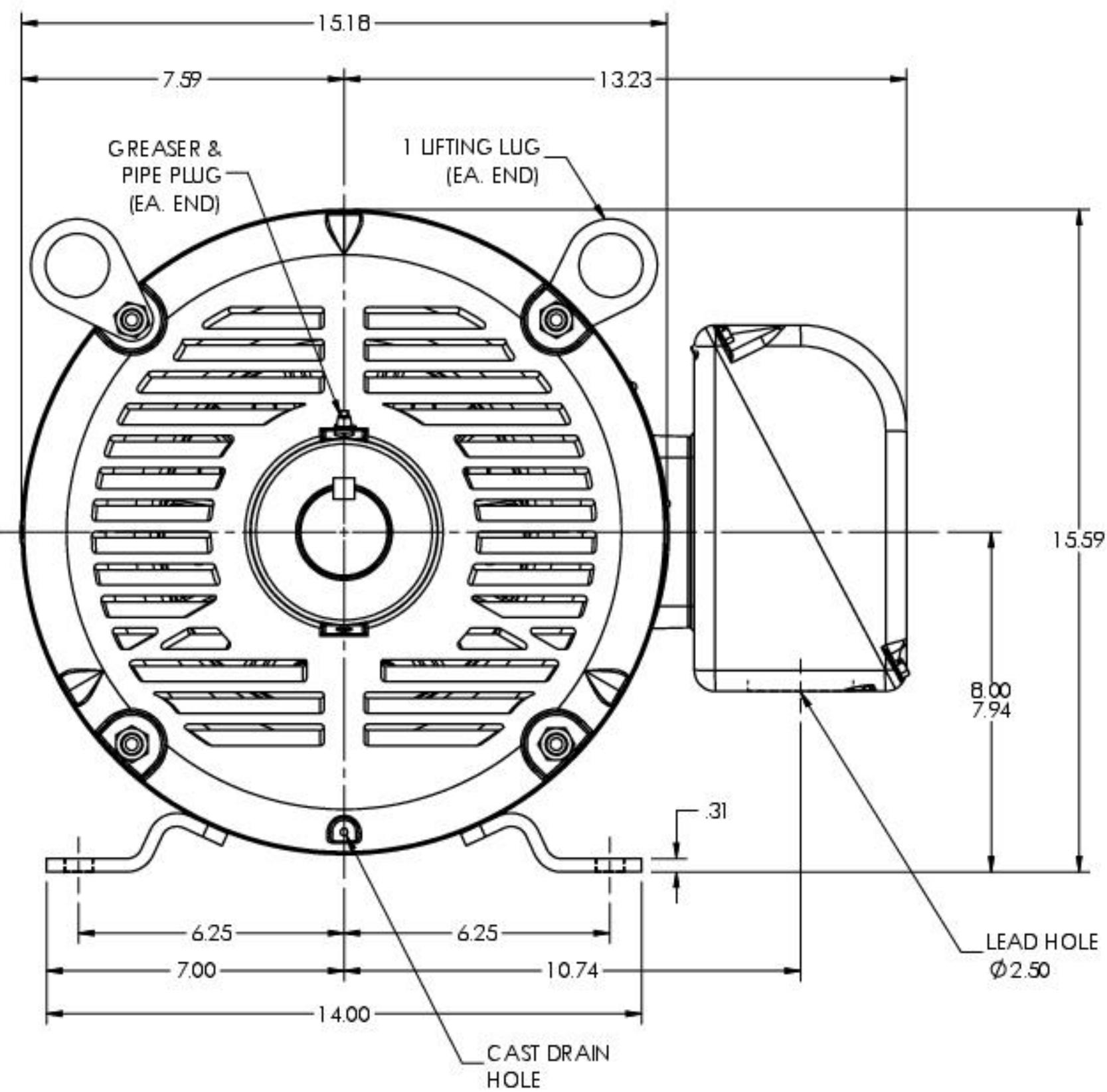


42LYE214



CUSTOMER IS RESPONSIBLE FOR DETERMINING THAT THE PRODUCT WILL PERFORM SUITABLY IN THE INTENDED APPLICATION

REV. DESC: LOAD DRAWING TO SOLIDWORKS			
REV: B	VERSION: 02	REVISED: 12:31:30 11/02/2022	TDR: 000001194199
MODEL NO. 42LYE214			REF: -
BY: USBUFRA			B

BALDOR - RELIANCE®

HORZ OPSB 324-6T F2, SUPER-E

42LYE214