

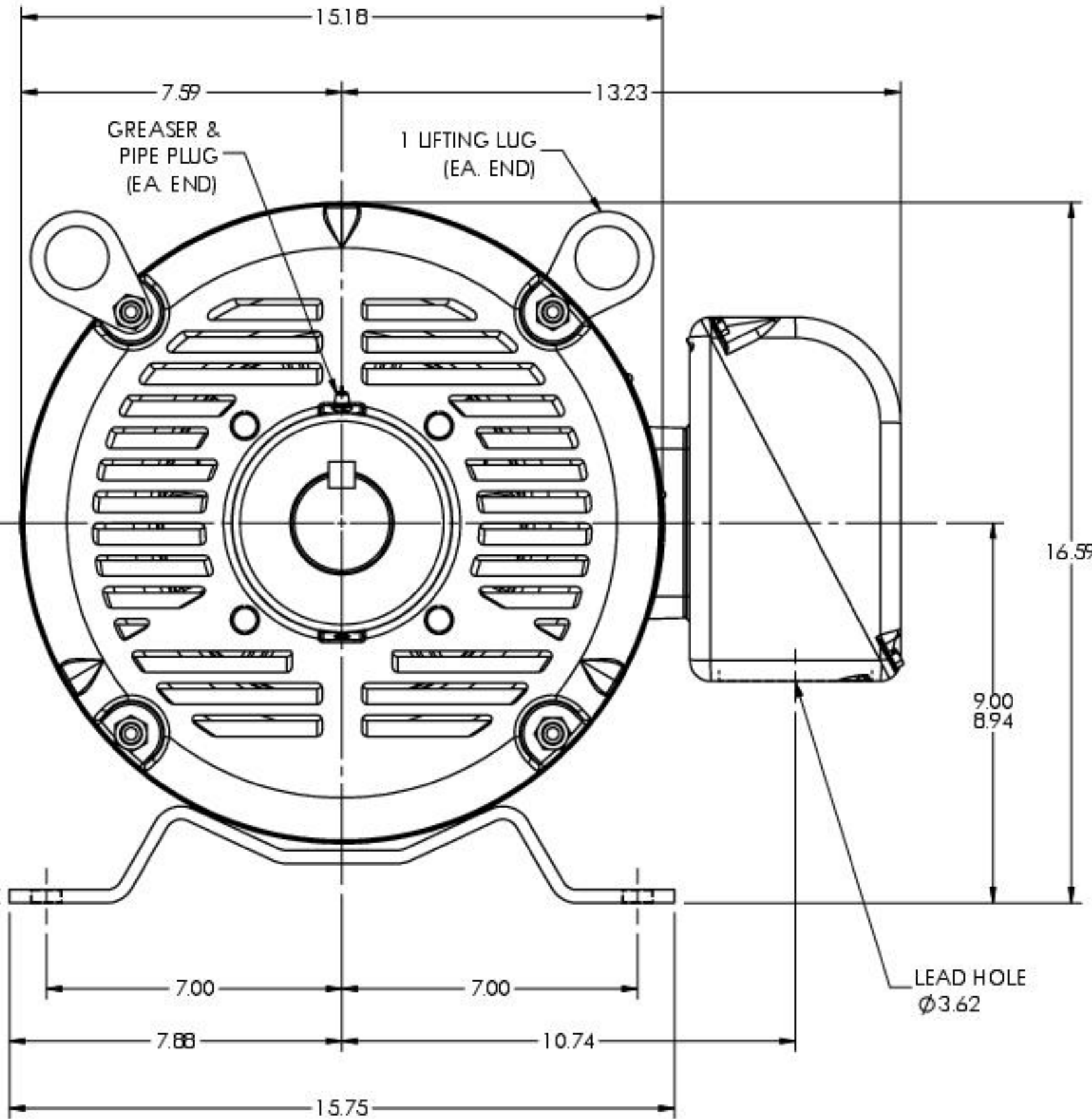
42LYE213

D

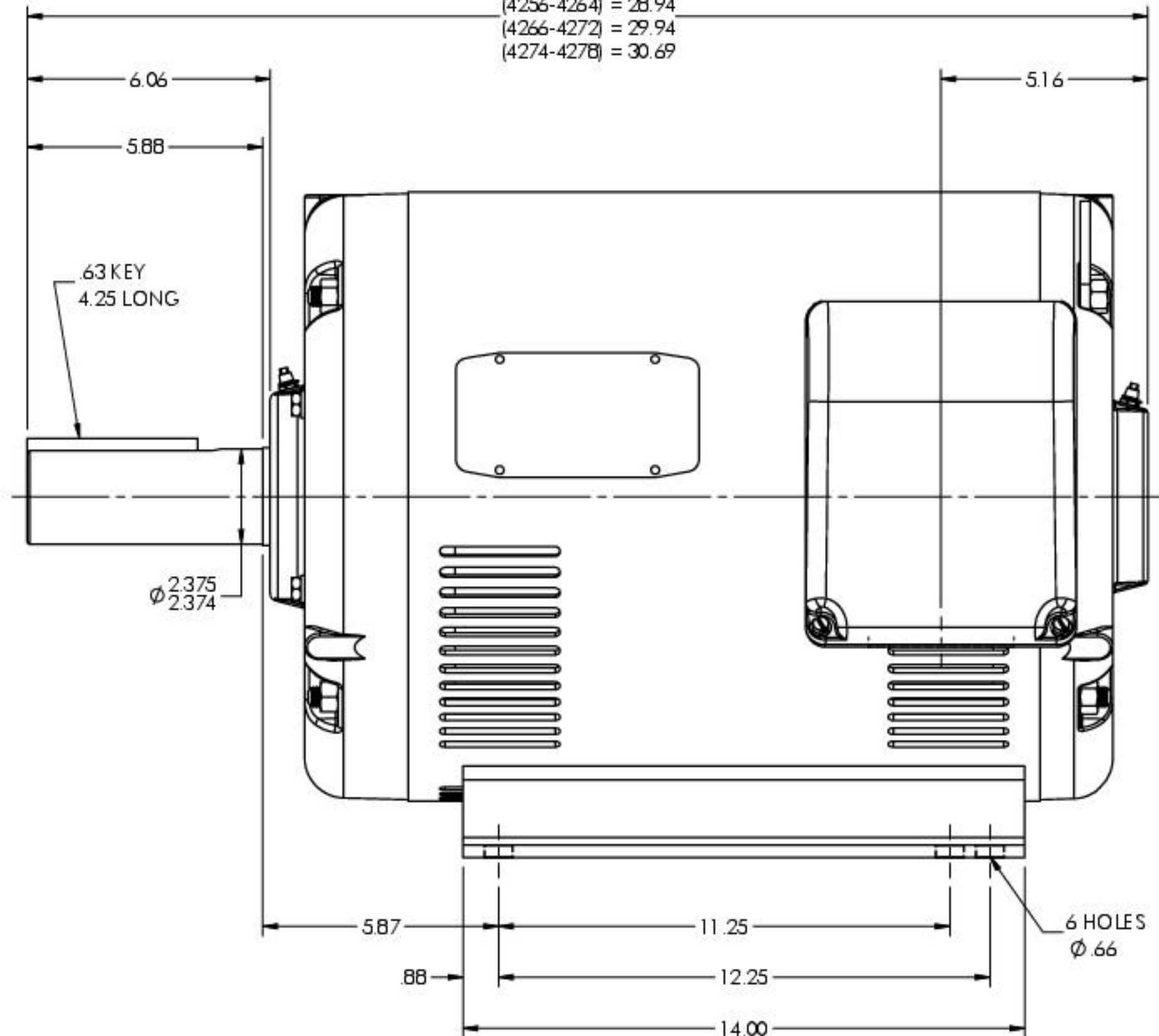
C

B

A



(4232-4254) = 27.94
 (4256-4264) = 28.94
 (4266-4272) = 29.94
 (4274-4278) = 30.69



CUSTOMER IS RESPONSIBLE FOR DETERMINING THAT THE PRODUCT WILL PERFORM SUITABLY IN THE INTENDED APPLICATION

| | | | |
|---------------------------------------|-------------|------------------------------|-------------------|
| REV. DESC: LOAD DRAWING TO SOLIDWORKS | | | |
| REV: A | VERSION: 01 | REVISED: 12:30:18 11/02/2022 | TDR: 000001194199 |
| MODEL NO. 42LYE213 | | | REF: - |
| BY: USBUFRA | | | B |

BALDOR - RELIANCE®

HORZ OPSB 364-ST F2, SUPER-E

42LYE213

D

C

B

A

8 7 6 5 4 3 2 1