

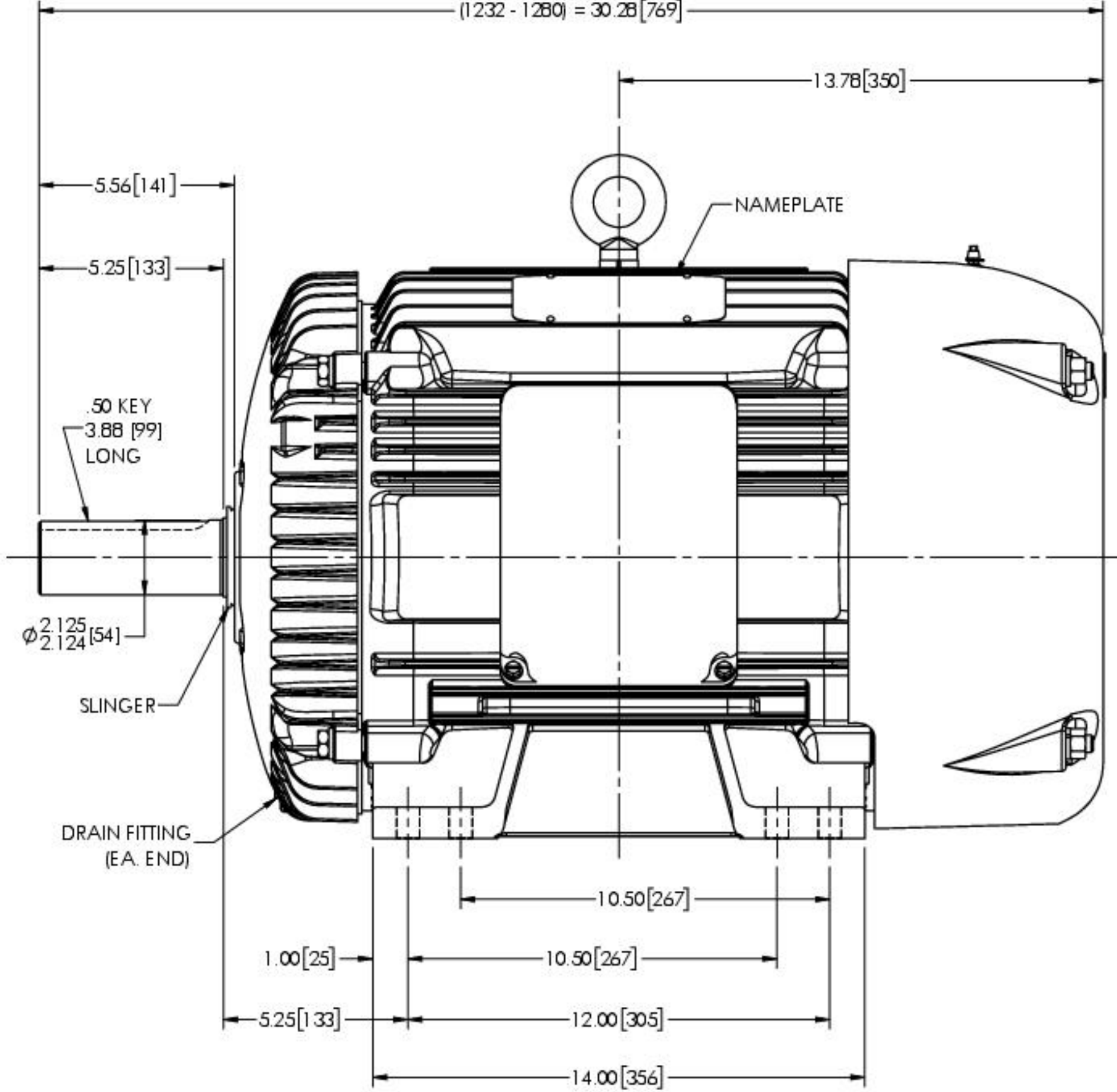
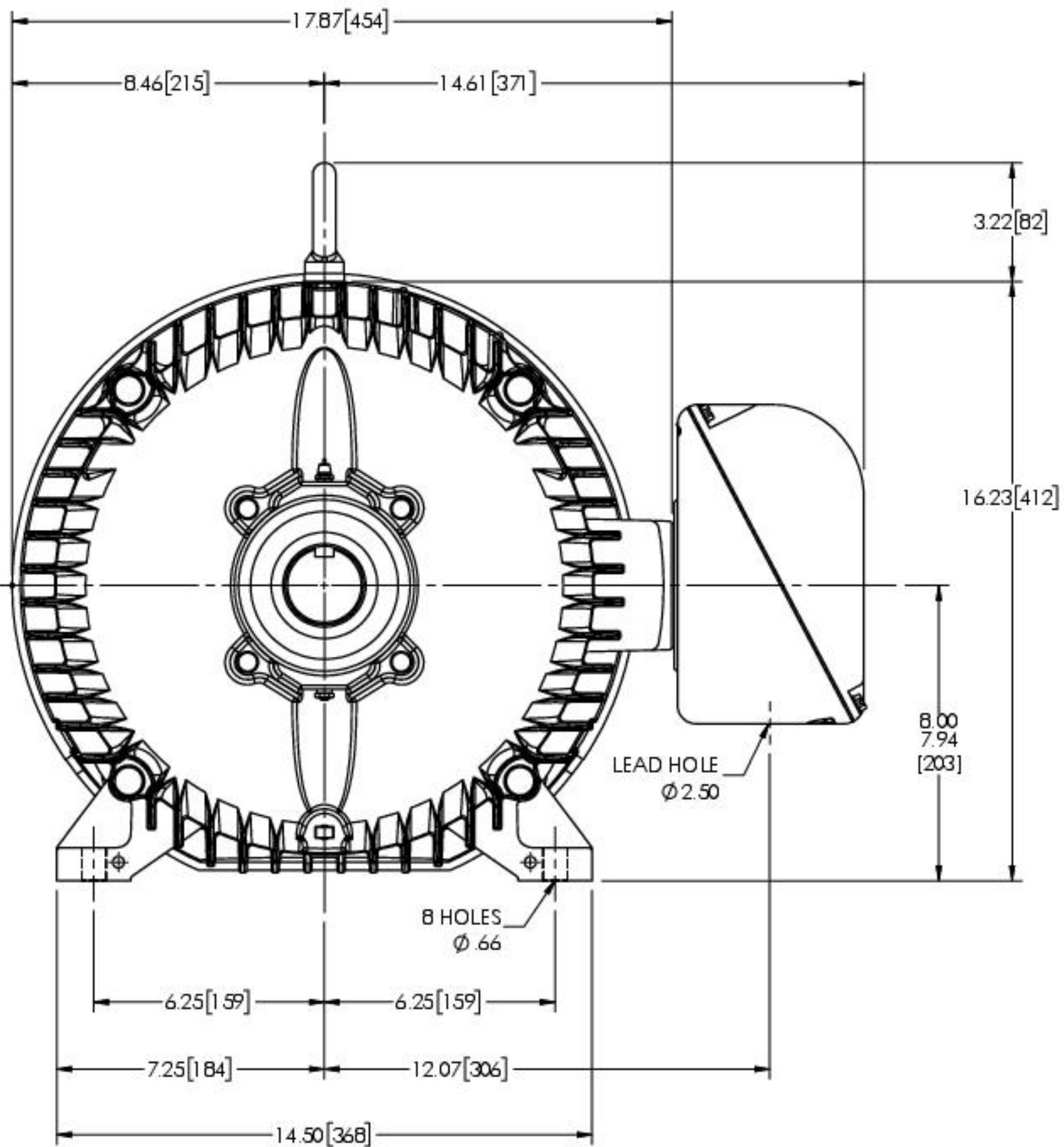
12LYC056

D

C

B

A



D

C

B

A

12LYC056

CUSTOMER IS RESPONSIBLE FOR DETERMINING THAT THE PRODUCT WILL PERFORM SUITABLY IN THE INTENDED APPLICATION

REV. DESC: UPDATE DRAWING TO SOLIDWORKS			
REV: K	VERSION: 06	REVISED: 02:24:37 01/26/2022	TDR: 000001184995
MODEL NO. 12LYC056			REF: -
BY: ENALEMO			B

BALDOR - RELIANCE®

HOR TEFC 324-6T F2

8 7 6 5 4 3 2 1