

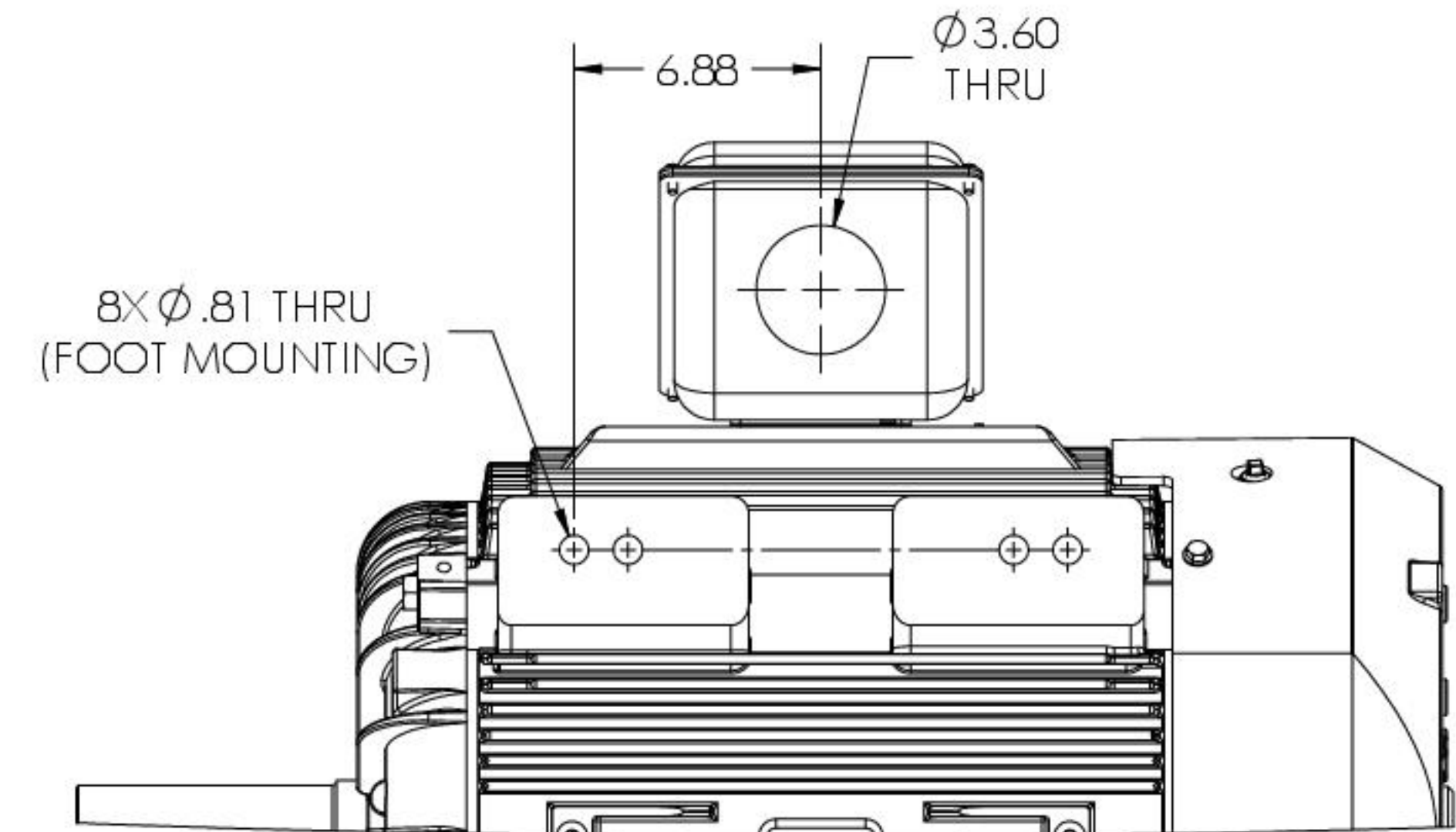
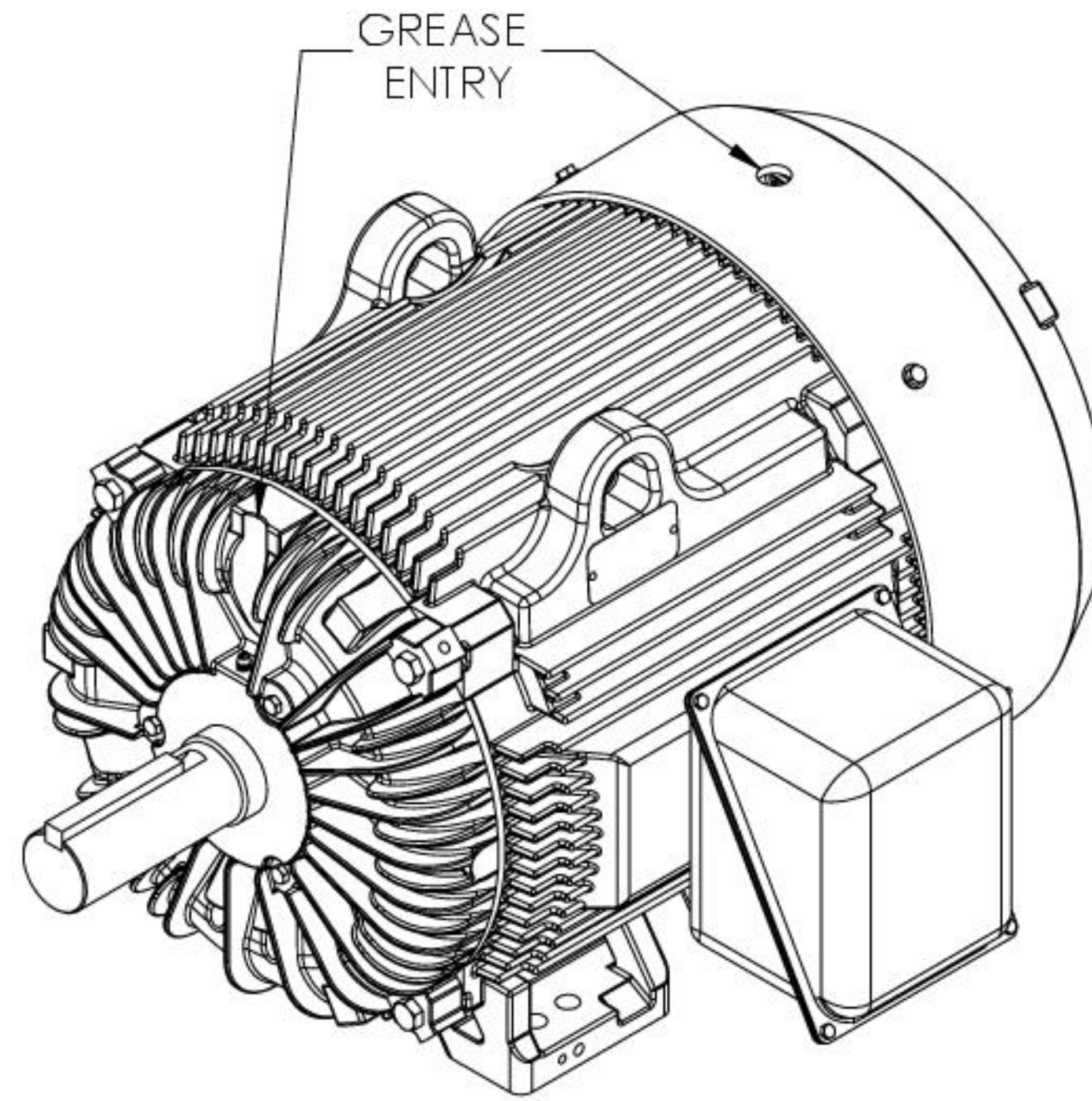
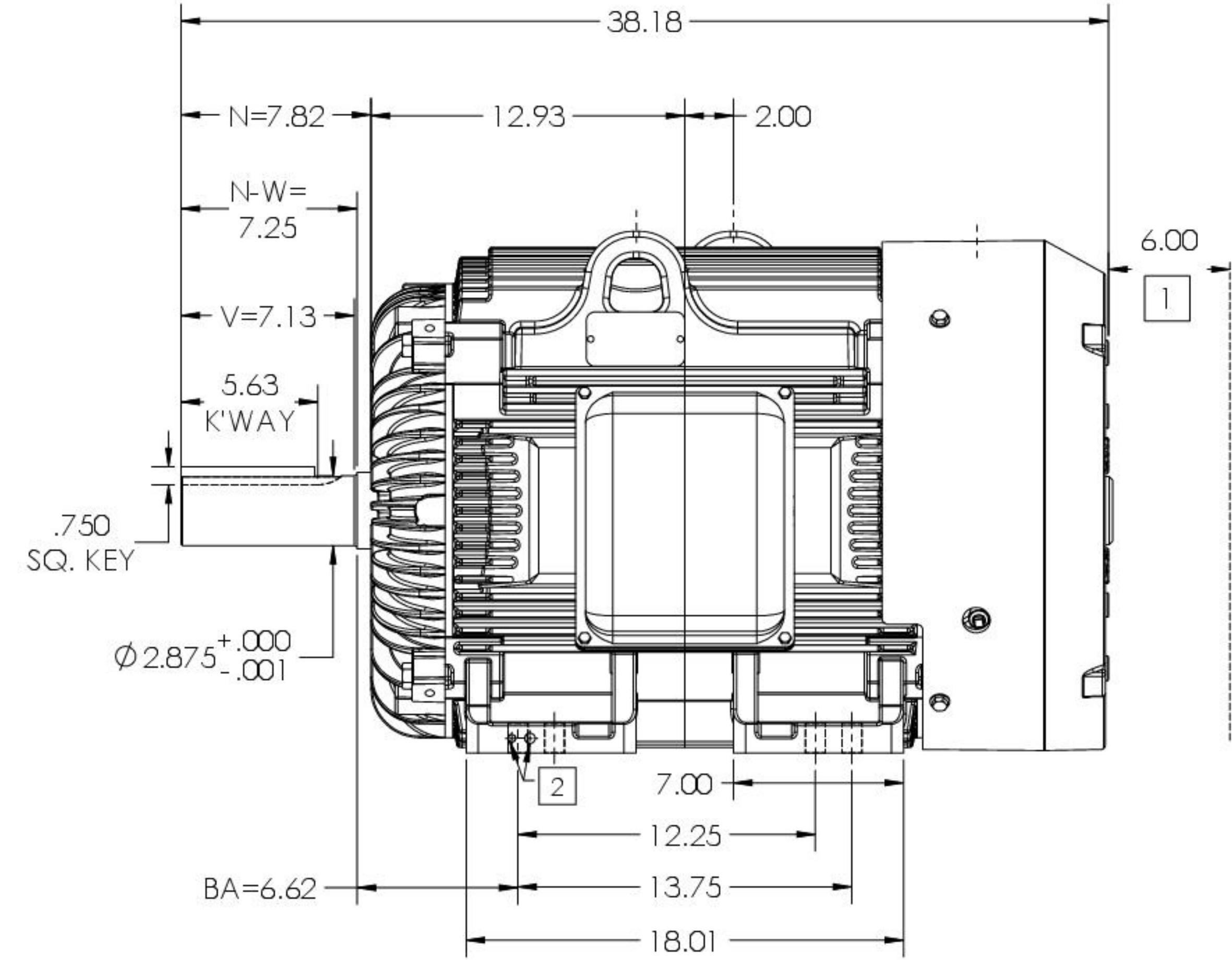
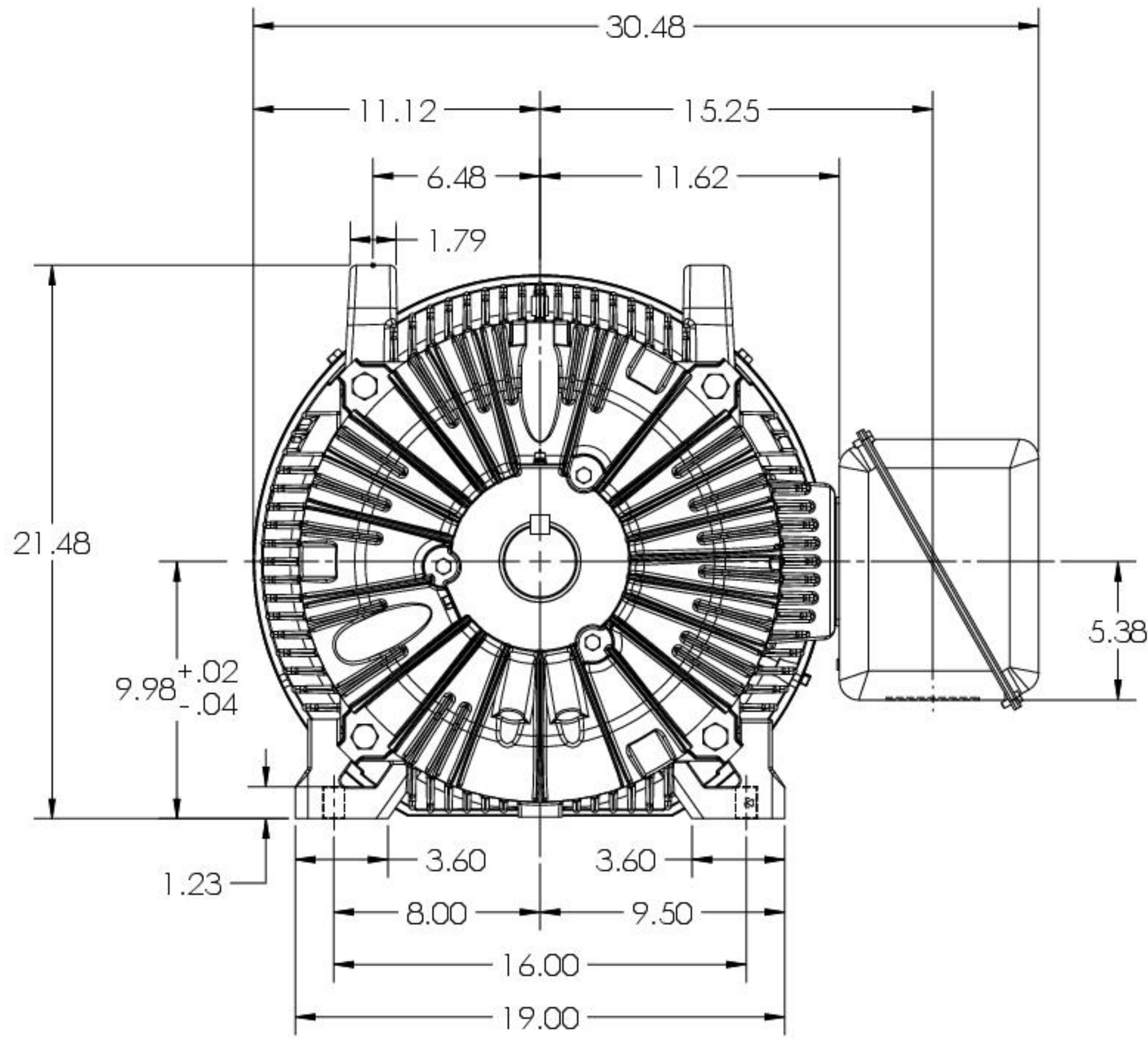
# DUTY MASTER ALTERNATING CURRENT MOTORS SQUIRREL-CAGE INDUCTION

ENCLOSURE: TOTALLY ENCLOSED

MOUNTING: FOOT, F2

G405T/G404T FRAME MOUNTING HOLES

COOLING: FAN COOLED



1 OBSTRUCTION MUST NOT ENCROACH ON AIR INLET

2 GROUND TAPS QTY (1) 1/2-13 TAP; QTY (1) 3/8-16 TAP

DIMENSIONS ARE IN INCHES.  
IF MOUNTING CLEARANCE DETAILS ARE REQUIRED, CONSULT FACTORY.  
WEIGHT (LBS): 1350, MOTOR WEIGHTS MAY VARY BY 15% DEPENDING ON RATING.  
CUSTOMER IS RESPONSIBLE FOR DETERMINING THAT MOTOR PERFORMANCE IS SUITABLE IN THE APPLICATION.

SHEET NUMBER  
1 OF 2

1107429-011

MAX PERMISSIBLE SHAFT RUNOUT WHEN MEASURED AT END OF STANDARD SHAFT EXTENSION IS .003" T.I.R.

REV. C	DESC: UPDATE MODEL TO ADD EXT HARDWARE NO CHG TO PRINT	VERSION: 03	REVISED: 09 48:33 07/08/2022	TD R: 000001193 529
MODEL NO. 617429-011	BY: USBUFRA	Material:	REF:	C

## BALDOR

G-405/404T TEFC F2 FOOT'S TEEL CONDUIT BOX