

**BALDOR® • RELIANCE** 

**Product Information Packet**

**EGDM3218T**

**5HP, 1750RPM, 3PH, 60HZ, 184TZ, 3640M, OPSB, F1**

| Part Detail |        |             |            |             |        |               |            |
|-------------|--------|-------------|------------|-------------|--------|---------------|------------|
| Revision:   | C      | Status:     | PRD/A      | Change #:   |        | Proprietary:  | No         |
| Type:       | AC     | Elec. Spec: | 36WGS270   | CD Diagram: | CD0005 | Mfg Plant:    |            |
| Mech. Spec: | 36Q485 | Layout:     | 36LYQ485   | Poles:      | 04     | Created Date: | 05-04-2015 |
| Base:       | RG     | Eff. Date:  | 03-02-2017 | Leads:      | 9#16   |               |            |

| Specs                           |                         |                                |                       |
|---------------------------------|-------------------------|--------------------------------|-----------------------|
| Catalog Number:                 | EGDM3218T               | Heater Indicator:              | No Heater             |
| Enclosure:                      | OPSB                    | Insulation Class:              | F                     |
| Frame:                          | 184TZ                   | Inverter Code:                 | Inverter Ready        |
| Frame Material:                 | Steel                   | KVA Code:                      | J                     |
| Output @ Frequency:             | 5.000 HP @ 60 HZ        | Lifting Lugs:                  | Standard Lifting Lugs |
| Synchronous Speed @ Frequency:  | 1800 RPM @ 60 HZ        | Locked Bearing Indicator:      | No Locked Bearing     |
| Voltage @ Frequency:            | 208.0 V @ 60 HZ         | Motor Lead Quantity/Wire Size: | 9 @ 16 AWG            |
|                                 | 460.0 V @ 60 HZ         | Motor Lead Exit:               | Ko Box                |
|                                 | 230.0 V @ 60 HZ         | Motor Lead Termination:        | Flying Leads          |
| XP Class and Group:             | None                    | Motor Type:                    | 3640M                 |
| XP Division:                    | Not Applicable          | Mounting Arrangement:          | F1                    |
| Agency Approvals:               | CSA                     | Power Factor:                  | 80                    |
|                                 | CSA EEV                 | Product Family:                | General Purpose       |
|                                 | UR                      | Pulley End Bearing Type:       | Sealed Bearing        |
| Auxillary Box:                  | No Auxillary Box        | Pulley Face Code:              | Standard              |
| Auxillary Box Lead Termination: | None                    | Pulley Shaft Indicator:        | Standard              |
| Base Indicator:                 | Rigid                   | Rodent Screen:                 | Included              |
| Bearing Grease Type:            | Polyrex EM (-20F +300F) | Shaft Extension Location:      | Pulley End            |

|                                       |                           |                                    |                            |
|---------------------------------------|---------------------------|------------------------------------|----------------------------|
| <b>Blower:</b>                        | None                      | <b>Shaft Ground Indicator:</b>     | No Shaft Grounding         |
| <b>Current @ Voltage:</b>             | 6.600 A @ 460.0 V         | <b>Shaft Rotation:</b>             | Reversible                 |
|                                       | 14.000 A @ 208.0 V        | <b>Shaft Slinger Indicator:</b>    | No Slinger                 |
|                                       | 13.200 A @ 230.0 V        | <b>Speed Code:</b>                 | Single Speed               |
| <b>Design Code:</b>                   | B                         | <b>Motor Standards:</b>            | NEMA                       |
| <b>Drip Cover:</b>                    | No Drip Cover             | <b>Starting Method:</b>            | Direct on line             |
| <b>Duty Rating:</b>                   | CONT                      | <b>Thermal Device - Bearing:</b>   | None                       |
| <b>Electrically Isolated Bearing:</b> | Not Electrically Isolated | <b>Thermal Device - Winding:</b>   | Normally Closed Thermostat |
| <b>Feedback Device:</b>               | NO FEEDBACK               | <b>Vibration Sensor Indicator:</b> | No Vibration Sensor        |
| <b>Front Face Code:</b>               | Standard                  | <b>Winding Thermal 1:</b>          | None                       |
| <b>Front Shaft Indicator:</b>         | None                      | <b>Winding Thermal 2:</b>          | None                       |

| Nameplate NP3126L |              |  |      |    |                |      |  |    |    |   |
|-------------------|--------------|--|------|----|----------------|------|--|----|----|---|
| CAT.NO.           | EGDM3218T    |  |      |    |                |      |  |    |    |   |
| SPEC.             | 36Q485S270G1 |  |      |    |                |      |  |    |    |   |
| HP                | 5            |  |      |    |                |      |  |    |    |   |
| VOLTS             | 208-230/460  |  |      |    |                |      |  |    |    |   |
| AMP               | 14-13.2/6.6  |  |      |    |                |      |  |    |    |   |
| RPM               | 1750         |  |      |    |                |      |  |    |    |   |
| FRAME             | 184TZ        |  |      |    | HZ             | 60   |  |    | PH | 3 |
| SER.F.            | 1.15         |  | CODE | J  | DES            | B    |  | CL | F  |   |
| NEMA-NOM-EFF      | 89.5         |  | PF   | 80 |                |      |  |    |    |   |
| RATING            | 40C AMB-CONT |  |      |    |                |      |  |    |    |   |
| CC                | 010A         |  |      |    | USABLE AT 208V |      |  | 14 |    |   |
| DE                | 6206         |  |      |    | ODE            | 6205 |  |    |    |   |
| ENCL              | OPSB         |  | SN   |    |                |      |  |    |    |   |
|                   |              |  |      |    |                |      |  |    |    |   |

| Parts List  |  |          |
|-------------|--|----------|
| Part Number | Description                              | Quantity |
| SA300995    | SA 36Q485S270G1                          | 1.000 EA |
| RA288065    | RA 36Q485S270G1                          | 1.000 EA |
| 36CB3004    | 36 CB CASTING W/1.09 DIA LEAD HOLE @ 6:0 | 1.000 EA |
| 51XB1016A08 | 10-16X 1/2HXWSSLD SERTYB                 | 2.000 EA |
| HW1000A10   | #10 FLAT WASHER (SAE)                    | 4.000 EA |
| 11XW1032G06 | 10-32 X .38, TAPTITE II, HEX WSHR SLTD U | 1.000 EA |
| HW3001B01   | BRASS CUP WASHER, FOR #10 SCREW          | 1.000 EA |
| 36EP3200A02 | FR ENDPLATE, MACH                        | 1.000 EA |
| HA1103A08   | RODENT SCREEN, 36 FRAME, OPEN, FRONT END | 1.000 EA |
| 51XW1032A06 | 10-32 X .38, TAPTITE II, HEX WSHR SLTD S | 4.000 EA |
| HW5100A05   | WVY WSHR F/205 & 304 BRGS                | 1.000 EA |
| 36EP3201A02 | FR/PU ENDPLATE, MACH                     | 1.000 EA |
| HA1103A10   | RODENT SCREEN, 36 FRAME, OPEN, PULLEY EN | 1.000 EA |
| 51XW1032A06 | 10-32 X .38, TAPTITE II, HEX WSHR SLTD S | 4.000 EA |
| HW1000A10   | #10 FLAT WASHER (SAE)                    | 4.000 EA |
| XY2520A12   | 1/4-20 HEX NUT, DIRECTIONAL SERRATIONS   | 4.000 EA |
| 36CB4516    | 36 LIPPED CB LID - GALVANNEAL            | 1.000 EA |
| 51XW0832A07 | 8-32 X .44, TAPTITE II, HEX WSHR SLTD SE | 4.000 EA |
| HW2501E16   | KEY, 1/4 SQ X 1.750                      | 1.000 EA |
| HA7000A02   | KEY RETAINER RING, 1 1/8 DIA, 1 3/8 DIA  | 1.000 EA |
| 85XU0407S04 | 4X1/4 U DRIVE PIN STAINLESS              | 2.000 EA |
| HA6362ZP    | LIFTING LUG FOR 36 FRAME MOTORS.         | 2.000 EA |
| MJ1000A02   | GREASE, POLYREX EM EXXON (USe 4824-15A)  | 0.050 LB |
| MG1025C02   | WILKOFASST SG, 787.105, TAN              | 0.022 GA |

| <b>Parts List (continued)</b> |  |                 |
|-------------------------------|--|-----------------|
| <b>Part Number</b>            | <b>Description</b>                       | <b>Quantity</b> |
| HA3101A40                     | THRUBOLT 1/4-20 X 12.687                 | 4.000 EA        |
| 36AD2004A01                   | BAFFLE PLATE,MOD 36-SLTD BAND MTRS DELTA | 2.000 EA        |
| LB1119N                       | WARNING LABEL                            | 1.000 EA        |
| LB1115N                       | LABEL,LIFTING DEVICE (ON ROLLS)          | 1.000 EA        |
| LC0145B01                     | CONNECTION LABEL                         | 1.000 EA        |
| MN416A01                      | TAG-INSTAL-MAINT no wire (1200/bx) 5/18  | 1.000 EA        |
| NP3126L                       | ALUM FARM DUTY SUPER-E UL CSA-EEV PREM   | 1.000 EA        |
| 36PA1001                      | PKG GRP, PRINT PK1017A06                 | 1.000 EA        |

**AC Induction Motor Performance Data**

Record # 31553 - Typical performance - not guaranteed values

|                               |                    |                        |
|-------------------------------|--------------------|------------------------|
| <b>Winding:</b> 36WGS270-R001 | <b>Type:</b> 3640M | <b>Enclosure:</b> OPSB |
|-------------------------------|--------------------|------------------------|

| Nameplate Data        |              |              |    | 460 V, 60 Hz:<br>High Voltage Connection |                          |
|-----------------------|--------------|--------------|----|--|--------------------------|
| Rated Output (HP)     | 5            |              |    | Full Load Torque                         | 15.05 LB-FT              |
| Volts                 | 208-230/460  |              |    | Start Configuration                      | direct on line           |
| Full Load Amps        | 14-13.2/6.6  |              |    | Breakdown Torque                         | 44.8 LB-FT               |
| R.P.M.                | 1750         |              |    | Pull-up Torque                           | 25.5 LB-FT               |
| Hz                    | 60           | Phase        | 3  | Locked-rotor Torque                      | 30.1 LB-FT               |
| NEMA Design Code      | B            | KVA Code     | J  | Starting Current                         | 44.8 A                   |
| Service Factor (S.F.) | 1.15         |              |    | No-load Current                          | 2.97 A                   |
| NEMA Nom. Eff.        | 89.5         | Power Factor | 80 | Line-line Res. @ 25°C                    | 2.632 Ω                  |
| Rating - Duty         | 40C AMB-CONT |              |    | Temp. Rise @ Rated Load                  | 44°C                     |
| S.F. Amps             |              |              |    | Temp. Rise @ S.F. Load                   | 56°C                     |
|                       |              |              |    | Locked-rotor Power Factor                | 41                       |
|                       |              |              |    | Rotor inertia                            | 0.372 LB-FT <sup>2</sup> |

Load Characteristics 460 V, 60 Hz, 5 HP

| % of Rated Load | 25     | 50     | 75     | 100    | 125    | 150    | S.F. |
|-----------------|--------|--------|--------|--------|--------|--------|------|
| Power Factor    | 42     | 64     | 75     | 80     | 83     | 84     | 82   |
| Efficiency      | 85.4   | 89.7   | 90.2   | 89.5   | 88.2   | 86.4   | 88.7 |
| Speed           | 1789.2 | 1778.5 | 1766.9 | 1753.8 | 1739.5 | 1722.1 | 1745 |
| Line amperes    | 3.33   | 4.14   | 5.26   | 6.59   | 8.05   | 9.68   | 7.47 |

Performance Graph at 460V, 60Hz, 5.0HP Typical performance - Not guaranteed values

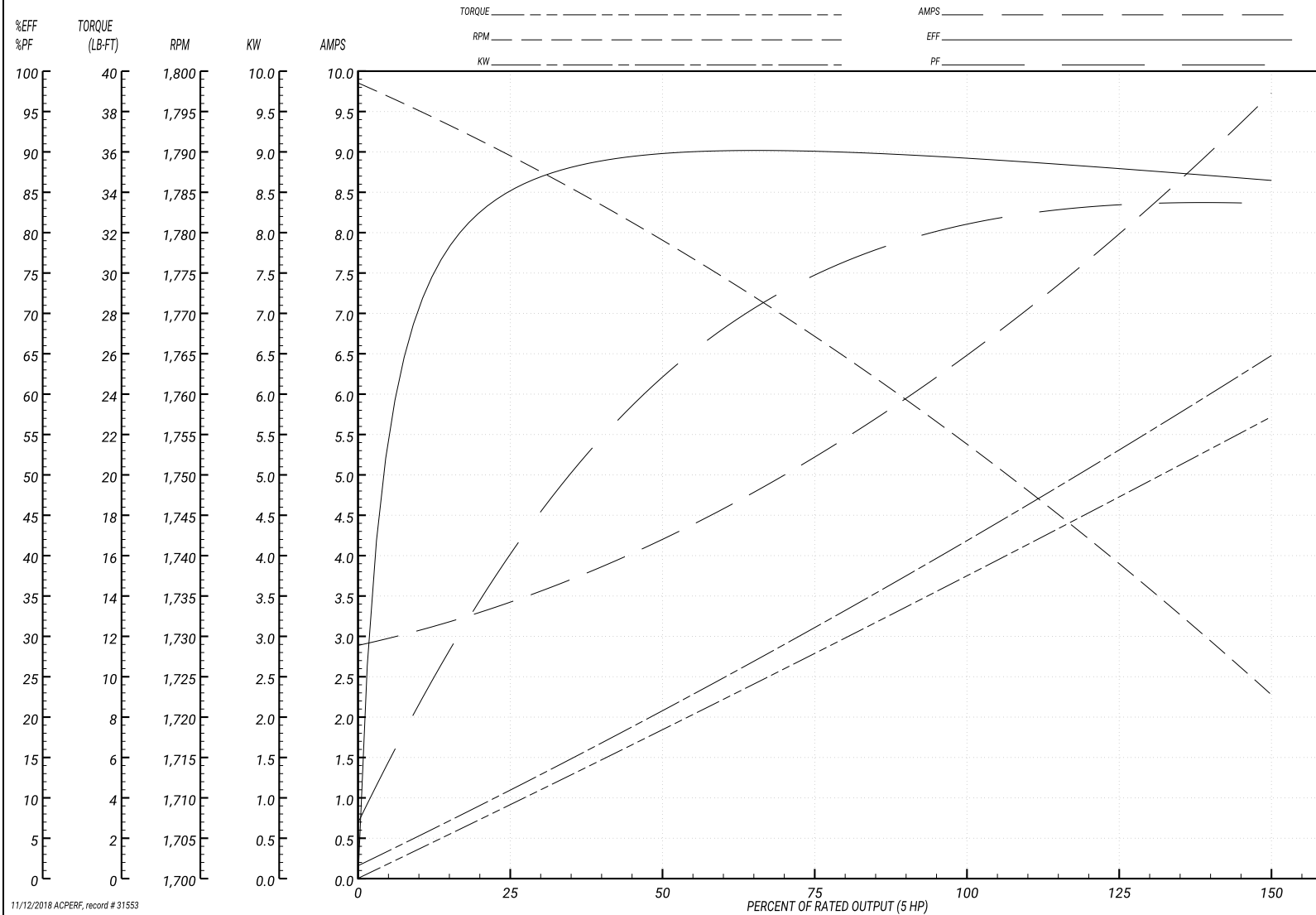
**BALDOR ELECTRIC COMPANY**

WINDING # 36WGS270

Typical performance - not guaranteed values.

5 HP 3 PH 60 HZ 1750 RPM 460 V 3640M

TORQUES(LB-FT): PO=44.8 PU=25.5 LR=30.1 LRA=44.8



11/12/2018 ACPERF, record # 31553



**AC Induction Motor Performance Data**

Record # 38235 - Typical performance - not guaranteed values

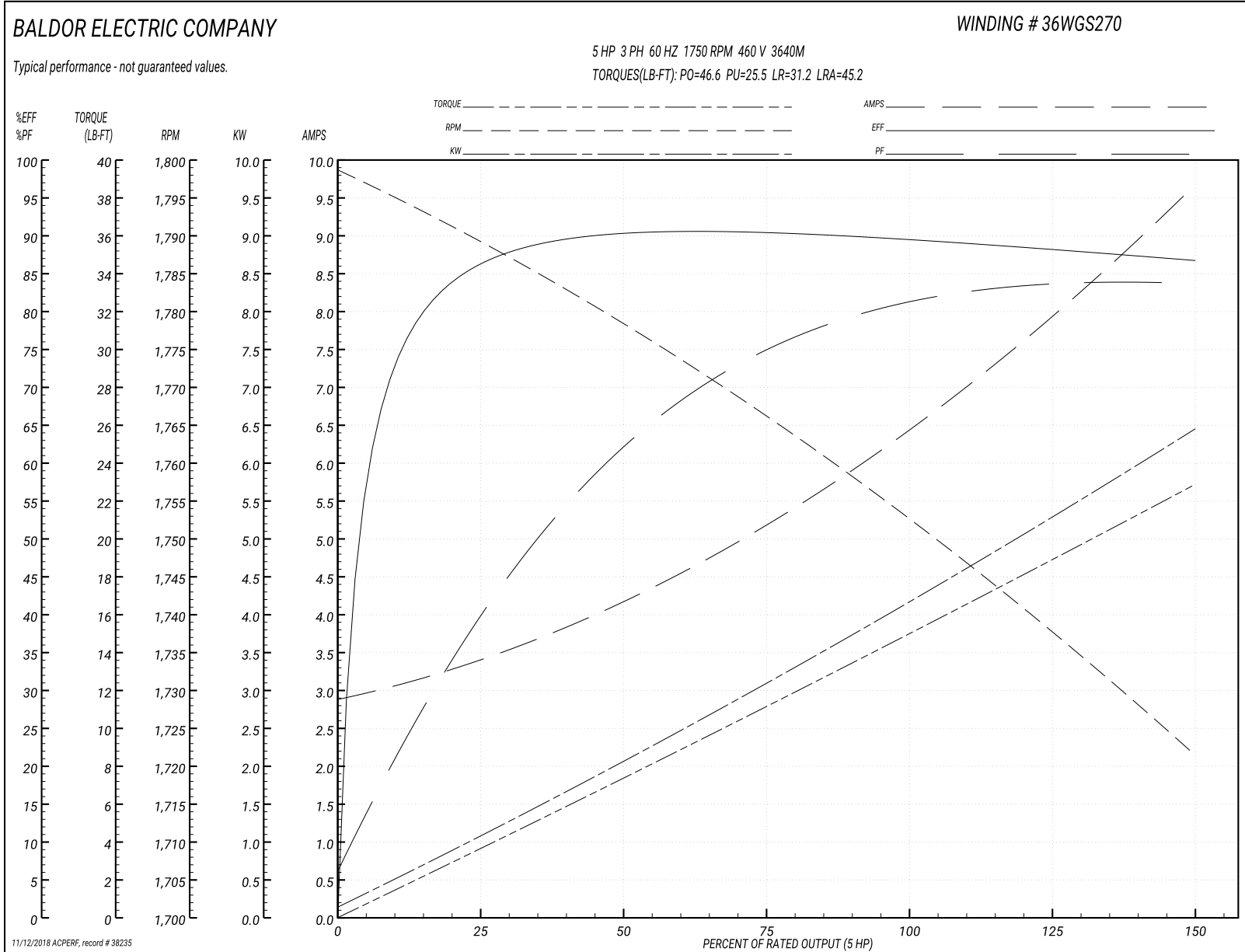
|                               |                    |                        |
|-------------------------------|--------------------|------------------------|
| <b>Winding:</b> 36WGS270-R001 | <b>Type:</b> 3640M | <b>Enclosure:</b> OPSB |
|-------------------------------|--------------------|------------------------|

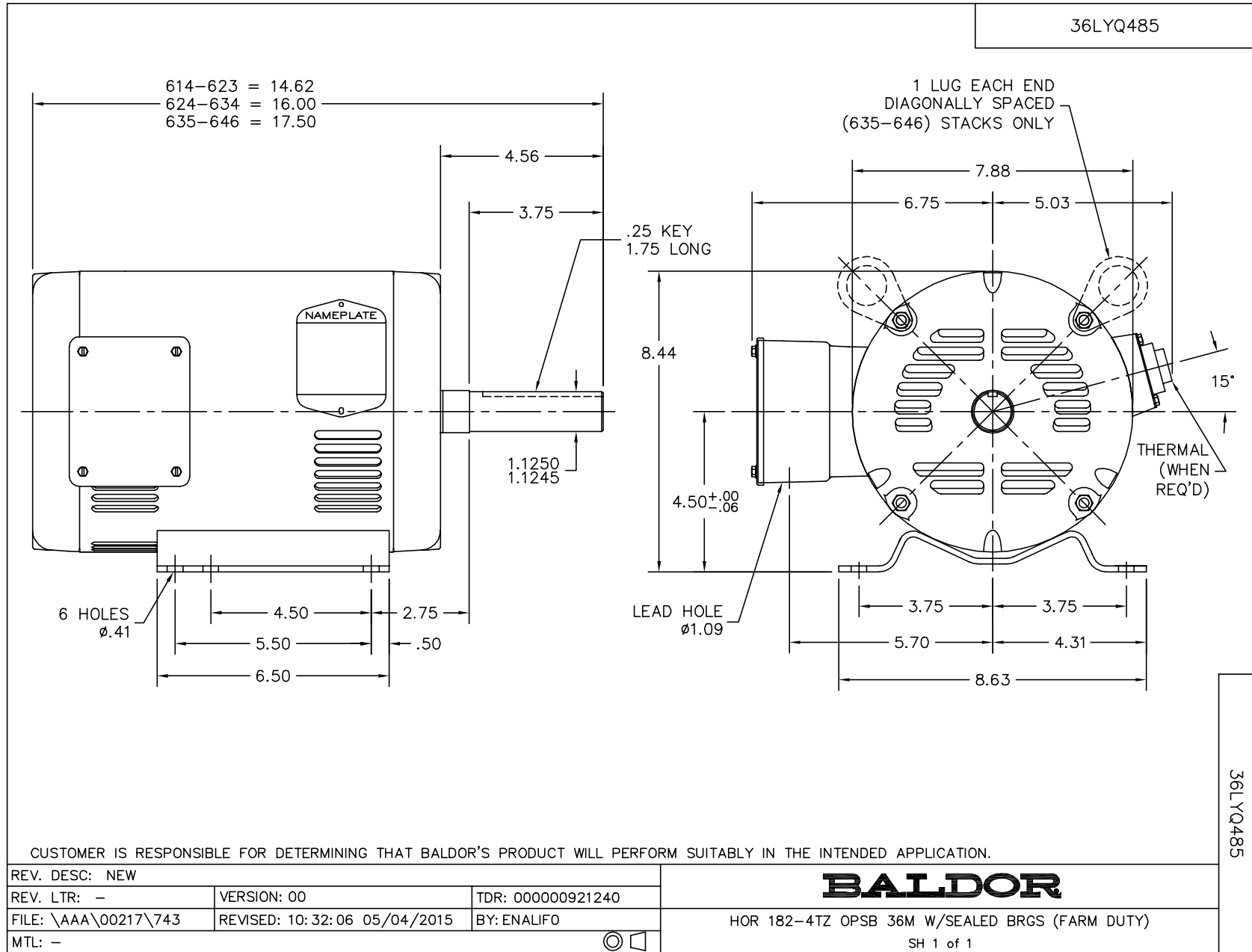
| Nameplate Data        |              |              |    | 460 V, 60 Hz:<br>High Voltage Connection |                          |
|-----------------------|--------------|--------------|----|--|--------------------------|
| Rated Output (HP)     | 5            |              |    | Full Load Torque                         | 15 LB-FT                 |
| Volts                 | 208-230/460  |              |    | Start Configuration                      | direct on line           |
| Full Load Amps        | 14-13.2/6.6  |              |    | Breakdown Torque                         | 46.6 LB-FT               |
| R.P.M.                | 1750         |              |    | Pull-up Torque                           | 25.5 LB-FT               |
| Hz                    | 60           | Phase        | 3  | Locked-rotor Torque                      | 31.2 LB-FT               |
| NEMA Design Code      | B            | KVA Code     | J  | Starting Current                         | 45.2 A                   |
| Service Factor (S.F.) | 1.15         |              |    | No-load Current                          | 2.96 A                   |
| NEMA Nom. Eff.        | 89.5         | Power Factor | 80 | Line-line Res. @ 25°C                    | 2.6272 Ω                 |
| Rating - Duty         | 40C AMB-CONT |              |    | Temp. Rise @ Rated Load                  | 45°C                     |
| S.F. Amps             |              |              |    | Temp. Rise @ S.F. Load                   | 56°C                     |
|                       |              |              |    | Locked-rotor Power Factor                | 41                       |
|                       |              |              |    | Rotor inertia                            | 0.372 LB-FT <sup>2</sup> |

Load Characteristics 460 V, 60 Hz, 5 HP

| % of Rated Load | 25     | 50     | 75   | 100    | 125    | 150    | S.F. |
|-----------------|--------|--------|------|--------|--------|--------|------|
| Power Factor    | 42     | 64     | 75   | 80     | 83     | 84     | 82   |
| Efficiency      | 86.1   | 90.2   | 90.5 | 89.7   | 88.3   | 86.6   | 88.9 |
| Speed           | 1788.8 | 1778.1 | 1766 | 1752.7 | 1737.8 | 1721.1 | 1744 |
| Line amperes    | 3.33   | 4.11   | 5.22 | 6.52   | 8.02   | 9.62   | 7.42 |

Performance Graph at 460V, 60Hz, 5.0HP Typical performance - Not guaranteed values

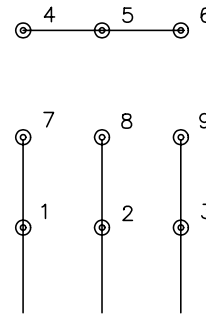




CD0005

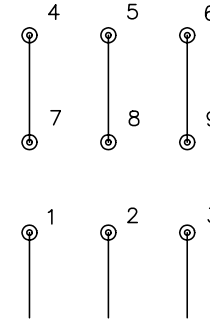


LOW VOLTAGE  
(2Y)



LINE

HIGH VOLTAGE  
(1Y)



LINE

NOTES:

1. INTERCHANGE ANY TWO LINE LEADS TO REVERSE ROTATION.
2. OPTIONAL THERMOSTATS ARE PROVIDED WHEN SPECIFIED.
3. ACTUAL NUMBER OF INTERNAL PARALLEL CIRCUITS MAY BE A MULTIPLE OF THOSE SHOWN ABOVE.
4. LEAD COLORS ARE OPTIONAL. LEADS MUST ALWAYS BE NUMBERED AS SHOWN.

REV. DESC: REVISE TO SHOW OPTIONAL COLORS

REV. LTR: E BY: JLP

REVISED: 01/19/99 10:15

TDR: 0171435

900000

FILE: AAA00005140

MDL: -

MTL: -

**BALDOR ELECTRIC Co.**

3PH, DV, 9 LEADS

CD0005