

BALDOR® • RELIANCE 

Product Information Packet

EHF2523T

15HP, 1765RPM, 3PH, 60HZ, 254T, 3948M, OPSB, F2

| Part Detail | | | | | | | |
|-------------|--------|-------------|------------|-------------|--------|---------------|------------|
| Revision: | B | Status: | PRD/A | Change #: | | Proprietary: | No |
| Type: | AC | Elec. Spec: | 39WGY375 | CD Diagram: | CD0180 | Mfg Plant: | |
| Mech. Spec: | 39E172 | Layout: | 39LYE172 | Poles: | 04 | Created Date: | 10-02-2017 |
| Base: | RG | Eff. Date: | 02-26-2018 | Leads: | 9#10 | | |

| Specs | | | |
|---------------------------------|-------------------------|--------------------------------|-----------------------|
| Catalog Number: | EHFM2523T | Insulation Class: | F |
| Enclosure: | OPSB | Inverter Code: | Inverter Ready |
| Frame: | 254T | KVA Code: | G |
| Frame Material: | Steel | Lifting Lugs: | Standard Lifting Lugs |
| Output @ Frequency: | 15.000 HP @ 60 HZ | Locked Bearing Indicator: | No Locked Bearing |
| Synchronous Speed @ Frequency: | 1800 RPM @ 60 HZ | Motor Lead Quantity/Wire Size: | 9 @ 10 AWG |
| Voltage @ Frequency: | 460.0 V @ 60 HZ | Motor Lead Exit: | Ko Box |
| | 230.0 V @ 60 HZ | Motor Lead Termination: | Flying Leads |
| XP Class and Group: | None | Motor Type: | 3948M |
| XP Division: | Not Applicable | Mounting Arrangement: | F2 |
| Agency Approvals: | CSA | Power Factor: | 85 |
| | UR | Product Family: | General Purpose |
| Auxillary Box: | No Auxillary Box | Pulley End Bearing Type: | Ball |
| Auxillary Box Lead Termination: | None | Pulley Face Code: | Standard |
| Base Indicator: | Rigid | Pulley Shaft Indicator: | Standard |
| Bearing Grease Type: | Polyrex EM (-20F +300F) | Rodent Screen: | None |
| Blower: | None | Shaft Extension Location: | Pulley End |
| Current @ Voltage: | 18.000 A @ 460.0 V | Shaft Ground Indicator: | No Shaft Grounding |

| | | | |
|---------------------------------------|---------------------------|------------------------------------|---------------------|
| | 36.000 A @ 230.0 V | Shaft Rotation: | Reversible |
| | 38.000 A @ 208.0 V | Shaft Slinger Indicator: | No Slinger |
| Design Code: | A | Speed Code: | Single Speed |
| Drip Cover: | No Drip Cover | Motor Standards: | NEMA |
| Duty Rating: | CONT | Starting Method: | Direct on line |
| Electrically Isolated Bearing: | Not Electrically Isolated | Thermal Device - Bearing: | NONE (OLD) |
| Feedback Device: | NO FEEDBACK | Thermal Device - Winding: | None |
| Front Face Code: | Standard | Vibration Sensor Indicator: | No Vibration Sensor |
| Front Shaft Indicator: | None | Winding Thermal 1: | None |
| Heater Indicator: | No Heater | Winding Thermal 2: | None |

| Nameplate NP2094E06B03 | |
|------------------------|-------------------|
| CAT.NO. | EHFM2523T |
| SPEC. | 39E172Y375G1 |
| HP | 15 |
| VOLTS | 230/460 |
| AMPS | 36/18 |
| RPM | 1765 |
| FRAME | 254T |
| | HZ 60 |
| | PH 3 |
| SER.F. | 1.15 |
| CODE | G |
| DES | A |
| CL | F |
| NEMA-NOM-EFF | 93 |
| | PF 85 |
| RATING | 40C AMB-CONT |
| CC | 010A |
| | USABLE AT 208V 38 |
| DE | 6309 |
| | ODE 6208 |
| AUTO | |
| MANUAL | |
| NONE | |
| ENCL | OPSB |
| SN | |
| BLANK | |

| Parts List | | |
|---------------|--|----------|
| Part Number | Description | Quantity |
| SA345602 | SA 39E172Y375G1 | 1.000 EA |
| RA334090 | RA 39E172Y375G1 | 1.000 EA |
| HA6361A01 | LIFTING LUG FOR 37, 39 & 40 FRAME ZINC | 2.000 EA |
| 39CB4000A01 | CONDUIT BOX 39, STAMPED | 1.000 EA |
| 19XW2520A08 | SCREW,1/4-20X1/2 TAPTITE-II OR ROLOC 91 | 2.000 EA |
| HW1001A25 | LOCKWASHER 1/4, ZINC PLT .493 OD, .255 I | 2.000 EA |
| WD1000B16 | T&B CX70TN TERMINAL | 1.000 EA |
| 39EP3200A01SP | FR/PU ENDPLATE, MACH | 1.000 EA |
| HW4500A20 | 1/8NPT SL PIPE PLUG | 2.000 EA |
| HW5100A08 | W3118-035 WVY WSHR (WB) | 1.000 EA |
| 39EP3201A23 | PU ENDPLATE, MACH W/AEGIS SH RING MTG | 1.000 EA |
| HW4500A20 | 1/8NPT SL PIPE PLUG | 2.000 EA |
| 84XN0540J08 | 5-40 X 1/2" SHCS, BLACK OXIDE | 3.000 EA |
| XY3816A12 | 3/8-16 FINISHED NUT | 8.000 EA |
| 39CB4500A01 | CONDUIT BOX LID 39, STAMPED, W/ PRIMER | 1.000 EA |
| 51XF1032A08 | 10/32X1/2 HXWSHR HD, SL, TYPE F ,SERATED | 2.000 EA |
| HW2501G25 | KEY, 3/8 SQ X 2.875 | 1.000 EA |
| 39AD2002A01 | BAFFLE PLATE 39 OPEN, SLOTTED BAND MTRS | 1.000 EA |
| HA3154A03 | STUD, 3/8-16 X 17.75 | 4.000 EA |
| MJ1000A02 | GREASE, POLYREX EM EXXON (USe 4824-15A) | 0.030 LB |
| 39AD2002A01 | BAFFLE PLATE 39 OPEN, SLOTTED BAND MTRS | 1.000 EA |
| MG1000G27 | MED CHARCOAL METALLIC GREY 400-0096 | 0.050 GA |
| LC0181 | CONNECTION LABEL | 1.000 EA |
| NP2094E06B03 | NP LABEL W/BARCODE (PREM EFF HVAC MTR) | 1.000 EA |

| Parts List (continued) | | |
|-------------------------------|--------------------------|-----------------|
| Part Number | Description | Quantity |
| 39PA1000 | PACKAGING GROUP 39 PRINT | 1.000 EA |

AC Induction Motor Performance Data

Record # 66605 - Typical performance - not guaranteed values

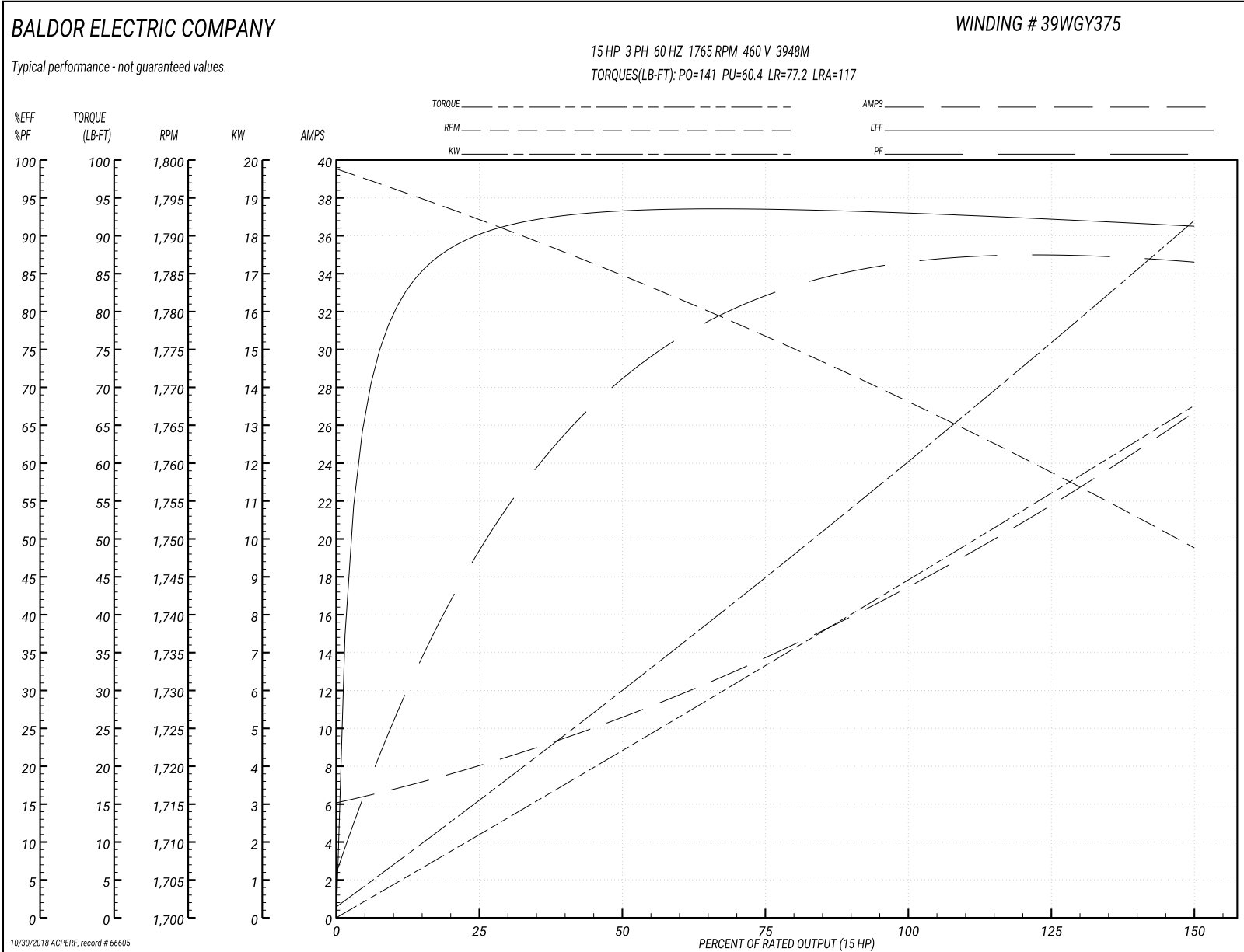
| | | |
|-------------------------------|--------------------|------------------------|
| Winding: 39WGY375-R001 | Type: 3948M | Enclosure: OPSB |
|-------------------------------|--------------------|------------------------|

| Nameplate Data | | | | 460 V, 60 Hz: High Voltage Connection | |
|-----------------------|--------------|--------------|----|--|----------------|
| Rated Output (HP) | 15 | | | Full Load Torque | 44.53 LB-FT |
| Volts | 230/460 | | | Start Configuration | direct on line |
| Full Load Amps | 36/18 | | | Breakdown Torque | 141 LB-FT |
| R.P.M. | 1765 | | | Pull-up Torque | 60.4 LB-FT |
| Hz | 60 | Phase | 3 | Locked-rotor Torque | 77.2 LB-FT |
| NEMA Design Code | A | KVA Code | G | Starting Current | 117 A |
| Service Factor (S.F.) | 1.15 | | | No-load Current | 6.37 A |
| NEMA Nom. Eff. | 93 | Power Factor | 85 | Line-line Res. @ 25°C | 0.62591 Ω |
| Rating - Duty | 40C AMB-CONT | | | Temp. Rise @ Rated Load | 26°C |
| S.F. Amps | | | | Temp. Rise @ S.F. Load | 32°C |
| | | | | Locked-rotor Power Factor | 32.8 |

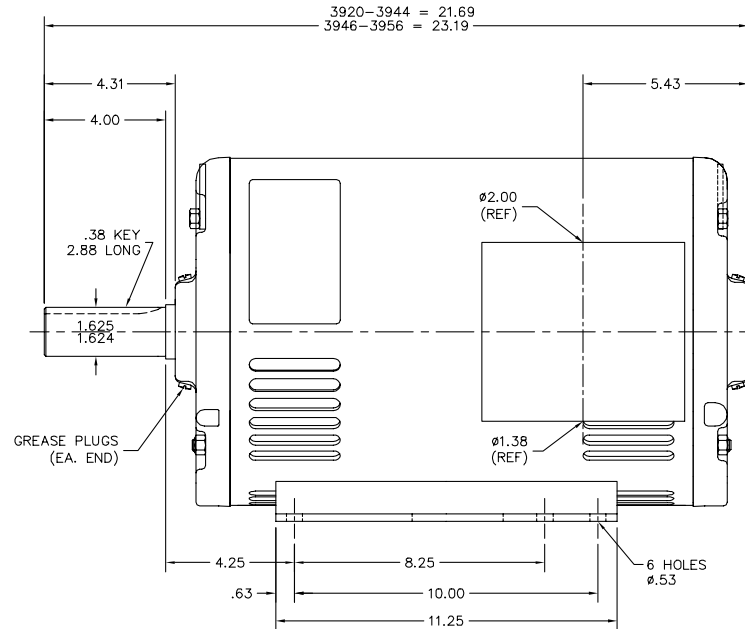
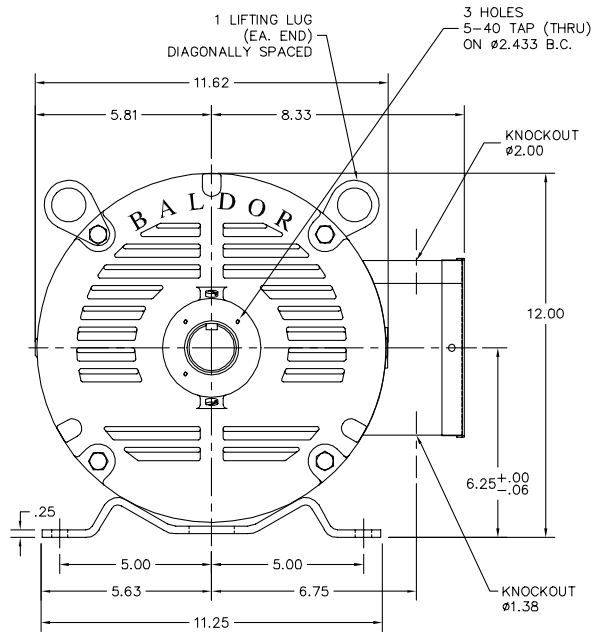
Load Characteristics 460 V, 60 Hz, 15 HP

| % of Rated Load | 25 | 50 | 75 | 100 | 125 | 150 | S.F. |
|-----------------|------|--------|--------|------|--------|--------|------|
| Power Factor | 51 | 73 | 81 | 85 | 87 | 87 | 86 |
| Efficiency | 89.9 | 93.1 | 93.5 | 93 | 92.3 | 91.2 | 92.6 |
| Speed | 1792 | 1784.7 | 1776.9 | 1768 | 1759.3 | 1748.7 | 1763 |
| Line amperes | 7.67 | 10.4 | 13.8 | 17.7 | 21.8 | 26.5 | 20.2 |

Performance Graph at 460V, 60Hz, 15.0HP Typical performance - Not guaranteed values



39LYE172



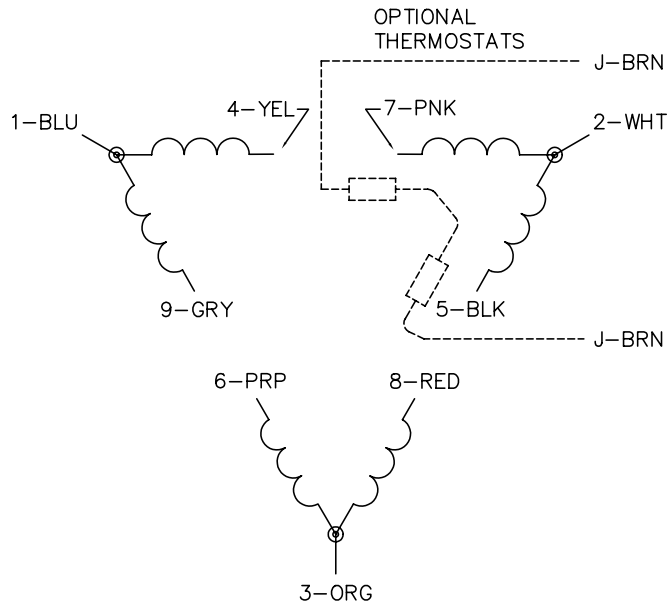
39LYE172

CUSTOMER IS RESPONSIBLE FOR DETERMINING THAT BALDOR'S PRODUCT WILL PERFORM SUITABLY IN THE INTENDED APPLICATION.

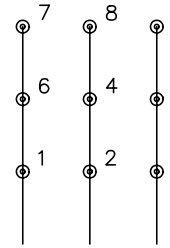
| | | |
|---|-----------------------------|-------------------|
| REV. DESC: UPDATED LAYOUT TO REFECT EP CHANGE | VERSION: 04 | TDR: 000001062033 |
| REV. LTR: D | REVISD: 08:19:16 02/23/2018 | BY: USBRKINI |
| FILE: \AAA\00137\729 | | |
| MTL: - | | |

| |
|--|
| BALDOR |
| HORZ OPSB 254-6T F2 W/GREASE PLUGS (HVAC) PREMIUM EFF. |
| SH 1 of 1 |

CD0180

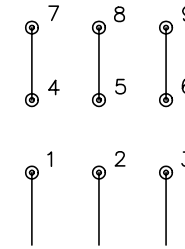


LOW VOLTAGE
(2D)



LINE

HIGH VOLTAGE
(1D)



LINE

NOTES:

1. INTERCHANGE ANY TWO LINE LEADS TO REVERSE ROTATION.
2. OPTIONAL THERMOSTATS ARE PROVIDED WHEN SPECIFIED.
3. ACTUAL NUMBER OF INTERNAL PARALLEL CIRCUITS MAY BE A MULTIPLE OF THOSE SHOWN ABOVE.
4. LEAD COLORS ARE OPTIONAL. LEADS MUST ALWAYS BE NUMBERED AS SHOWN.

| | | | |
|---|---------|------------------------|--------------|
| REV. DESC: REVISE TO SHOW OPTIONAL COLORS | | | |
| REV. LTR: C | BY: JLP | REVISED: 01/21/99 2:28 | TDR: 0171435 |
| 0810D0 | | FILE: AAA00005148 | MDL: - |
| | | MTL: - | |

BALDOR ELECTRIC Co.

3PH, DV, 9 LEADS, DELTA CONNECTION

CD0180

Marketing maintained PDF of MN416:

<http://www.baldor.com/support/Literature/Load.ashx/MN416?ManNumber=MN416>