

BALDOR® • RELIANCE 

Product Information Packet

EHM2539T-8

40HP, 1775RPM, 3PH, 60HZ, 324T, 4250M, OPSB, F1

Part Detail							
Revision:	S	Status:	PRD/A	Change #:		Proprietary:	No
Type:	AC	Elec. Spec:	42GW530	CD Diagram:	CD0006	Mfg Plant:	
Mech. Spec:	42H068	Layout:	42LYH068	Poles:	04	Created Date:	10-07-2010
Base:	RG	Eff. Date:	03-12-2018	Leads:	3#4		

Specs			
Catalog Number:	EHM2539T-8	Lifting Lugs:	Standard Lifting Lugs
Enclosure:	OPSB	Locked Bearing Indicator:	No Locked Bearing
Frame:	324T	Motor Lead Quantity/Wire Size:	3 @ 4 AWG
Frame Material:	Steel	Motor Lead Exit:	Ko Box
Output @ Frequency:	40.000 HP @ 60 HZ	Motor Lead Termination:	Flying Leads
Synchronous Speed @ Frequency:	1800 RPM @ 60 HZ	Motor Type:	4250M
Voltage @ Frequency:	200.0 V @ 60 HZ	Mounting Arrangement:	F1
Agency Approvals:	CSA	Power Factor:	85
	UR	Product Family:	General Purpose
Auxillary Box:	No Auxillary Box	Pulley End Bearing Type:	Ball
Auxillary Box Lead Termination:	None	Pulley Face Code:	Standard
Base Indicator:	Rigid	Pulley Shaft Indicator:	Standard
Bearing Grease Type:	Polyrex EM (-20F +300F)	Rodent Screen:	None
Blower:	None	Shaft Extension Location:	Pulley End
Current @ Voltage:	108.000 A @ 200.0 V	Shaft Ground Indicator:	Mounting Provisions Only
Design Code:	B	Shaft Rotation:	Reversible
Drip Cover:	No Drip Cover	Shaft Slinger Indicator:	No Slinger
Duty Rating:	CONT	Speed Code:	Single Speed

Feedback Device:	NO FEEDBACK	Motor Standards:	NEMA
Front Face Code:	Standard	Starting Method:	Direct on line
Front Shaft Indicator:	None	Thermal Device - Bearing:	NONE (OLD)
Heater Indicator:	No Heater	Thermal Device - Winding:	None
Insulation Class:	F	Vibration Sensor Indicator:	No Vibration Sensor
Inverter Code:	Inverter Ready	Winding Thermal 1:	None
KVA Code:	F	Winding Thermal 2:	None

Nameplate NP2094E06B03	
CAT.NO.	EHM2539T-8
SPEC.	42H068W530G1
HP	40
VOLTS	200
AMPS	108
RPM	1775
FRAME	324T
	HZ 60
	PH 3
SER.F.	1.15
	CODE F
	DES B
	CL F
NEMA-NOM-EFF	94.1
	PF 85
RATING	40C AMB-CONT
CC	010A
	USABLE AT 208V
DE	6312
	ODE 6311
AUTO	
	MANUAL
	NONE
ENCL	OPSB
	SN
BLANK	

Parts List		
Part Number	Description	Quantity
SA204668	SA 42H068W530G1	1.000 EA
RA191912	RA 42H068W530G1	1.000 EA
S/P107-000-004	SUPER-E(284 FR. & UP)-CL PLANT,POLYREX E	1.000 EA
HA6360	LIFTING LUG FOR 42 FRAME MOTORS.	2.000 EA
42CB4000A01	CONDUIT BOX 40, STAMPED	1.000 EA
19XW2520A08	SCREW,1/4-20X1/2 TAPTITE-II OR ROLOC 91	2.000 EA
HW1001A25	LOCKWASHER 1/4, ZINC PLT .493 OD, .255 I	2.000 EA
WD1000B16	T&B CX70TN TERMINAL	1.000 EA
418199008A	N/P GRD I/D	1.000 EA
42EP3200A01	FR ENDPLATE, MACH	1.000 EA
HW5100A13	W4627-047 WVY WSHER	1.000 EA
42EP3200B13	PUEP, MACH FOR 1/2 SH GND MTG	1.000 EA
XY5013A12	NUT,1/2-13,HEX,STEEL,ZINCPLATED	8.000 EA
42CB4500A01	CONDUIT BOX LID 42, STAMPED, W/ PRIMER	1.000 EA
51XF2520A08	SCREW, HEX SER SLT HD, ZN 1/4-20 X .50 L	2.000 EA
HW2501H33	KEY, 1/2 SQ X 3.875	1.000 EA
84XN0540J08	5-40 X 1/2" SHCS, BLACK OXIDE	3.000 EA
MN416A01	TAG-INSTAL-MAINT no wire (1200/bx) 5/18	1.000 EA
HW4500A20	1/8NPT SL PIPE PLUG	2.000 EA
MJ1000A02	GREASE, POLYREX EM EXXON (USe 4824-15A)	0.030 LB
HW4500A20	1/8NPT SL PIPE PLUG	2.000 EA
MG1000G27	MED CHARCOAL METALLIC GREY 400-0096	0.080 GA
HA3151A02	THRUBOLT STUD 1/2-13 X 19.25	4.000 EA
42AD2001A01	BAFFLE PLATE 42 OPEN, SLOTTED BAND MTRS	1.000 EA

Parts List (continued)		
Part Number	Description	Quantity
42AD2001A01	BAFFLE PLATE 42 OPEN, SLOTTED BAND MTRS	1.000 EA
LC0006	CONNECTION LABEL	1.000 EA
NP2094E06B03	NP LABEL W/BARCODE (PREM EFF HVAC MTR)	1.000 EA
40PA1000	PACKAGING GROUP	1.000 EA

AC Induction Motor Performance Data

Record # 13728 - Typical performance - not guaranteed values

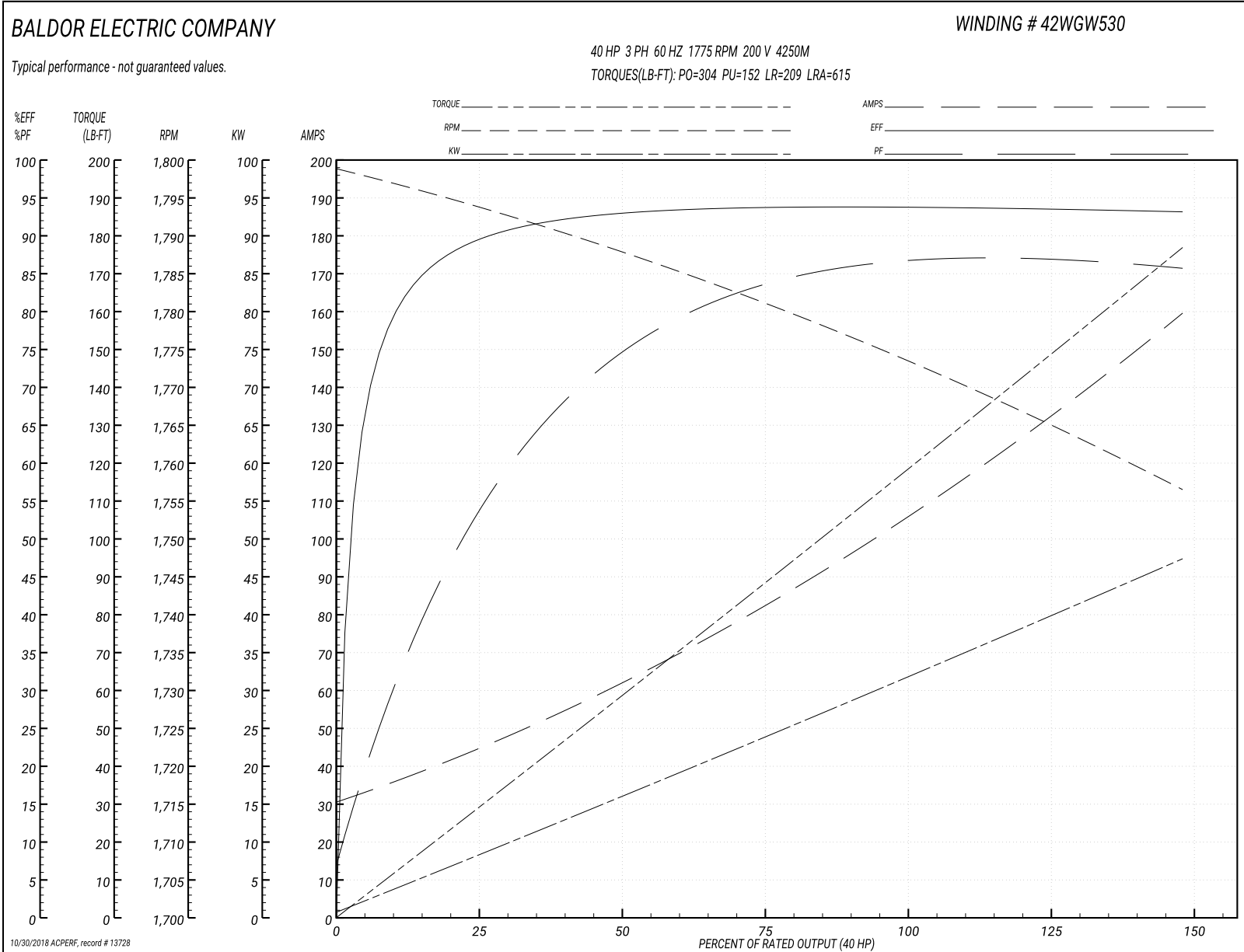
Winding: 42WGW530-R001	Type: 4250M	Enclosure: OPSB
-------------------------------	--------------------	------------------------

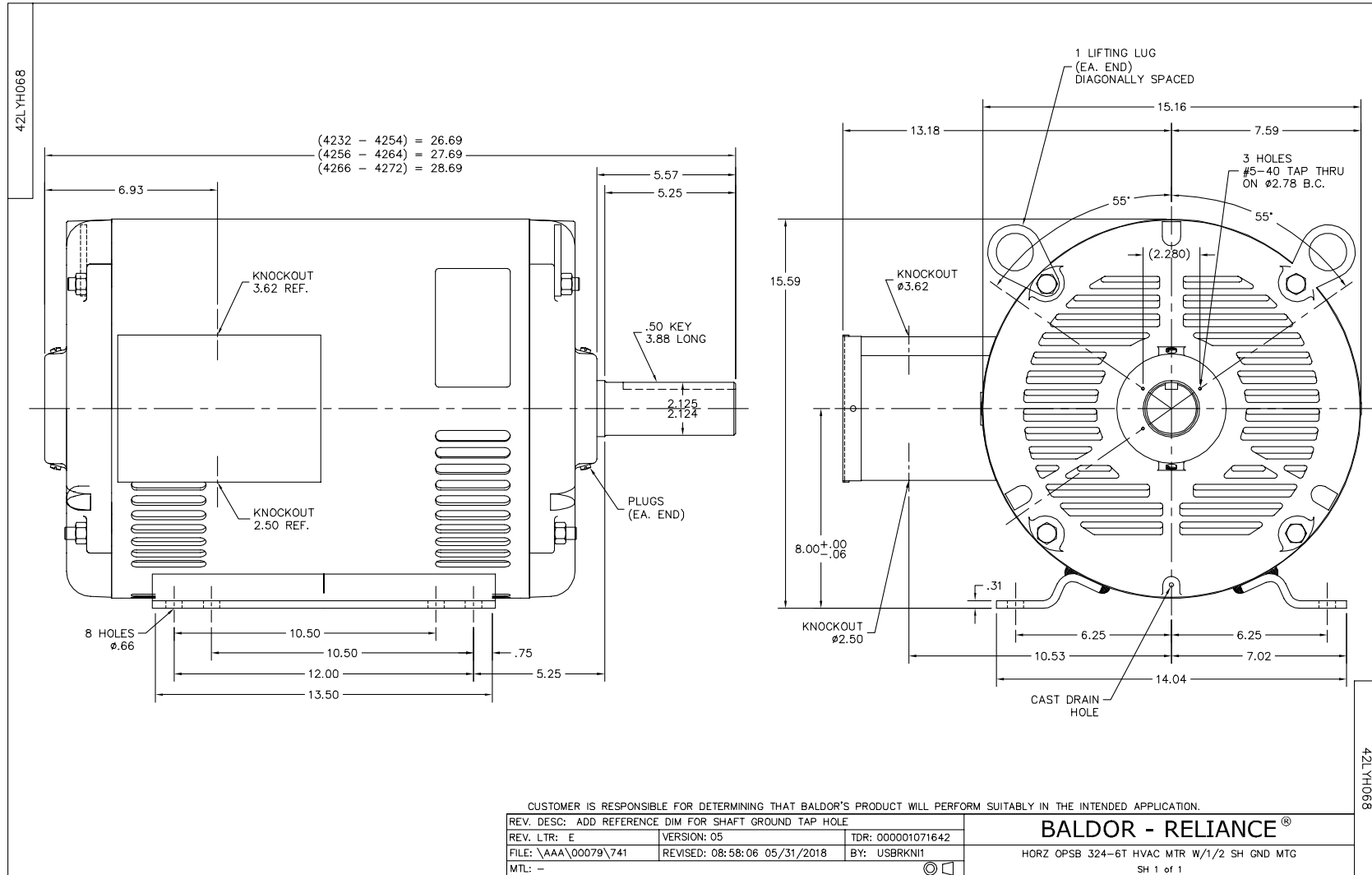
Nameplate Data				200 V, 60 Hz: Single Voltage Motor	
Rated Output (HP)	40			Full Load Torque	118 LB-FT
Volts	200			Start Configuration	direct on line
Full Load Amps	108			Breakdown Torque	304 LB-FT
R.P.M.	1775			Pull-up Torque	152 LB-FT
Hz	60	Phase	3	Locked-rotor Torque	209 LB-FT
NEMA Design Code	B	KVA Code	F	Starting Current	615 A
Service Factor (S.F.)	1.15			No-load Current	31.5 A
NEMA Nom. Eff.	94.1	Power Factor	85	Line-line Res. @ 25°C	0.0333 Ω
Rating - Duty	40C AMB-CONT			Temp. Rise @ Rated Load	27°C
S.F. Amps				Temp. Rise @ S.F. Load	33°C
				Locked-rotor Power Factor	27
				Rotor inertia	6.66 LB-FT ²

Load Characteristics 200 V, 60 Hz, 40 HP

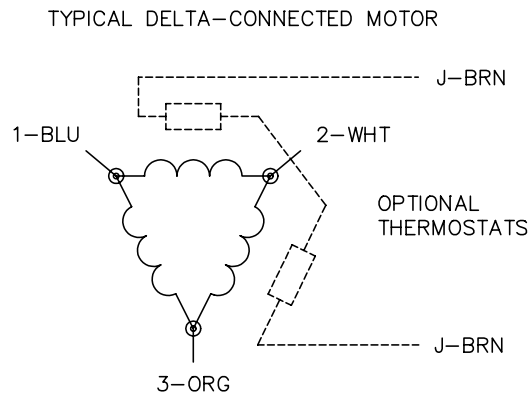
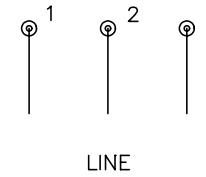
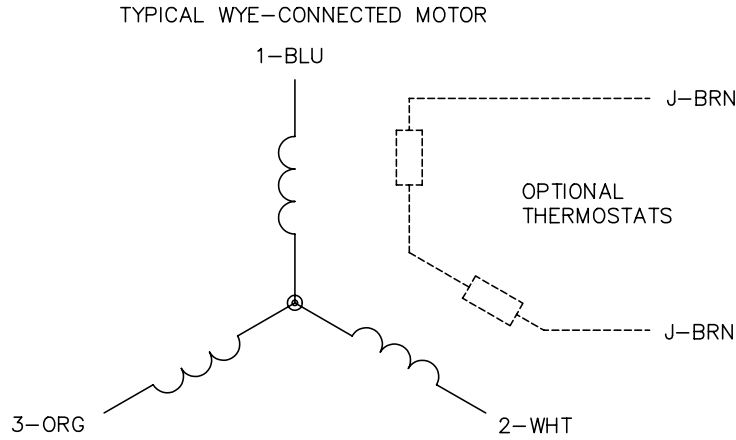
% of Rated Load	25	50	75	100	125	150	S.F.
Power Factor	55	76	85	84	87	86	86
Efficiency	90.3	93.6	92.4	94.3	93.8	93	94
Speed	1794	1787	1781	1774	1766	1756	1769
Line amperes	44	61	82	108	131	159	121.8

Performance Graph at 200V, 60Hz, 40.0HP Typical performance - Not guaranteed values





CD0006



NOTES:

1. THREE LEAD MOTOR MAY BE EITHER WYE CONNECTED OR DELTA CONNECTED.
2. INTERCHANGE ANY TWO LINE LEADS TO REVERSE ROTATION.
3. OPTIONAL THERMOSTATS ARE PROVIDED WHEN SPECIFIED.
4. ACTUAL NUMBER OF INTERNAL PARALLEL CIRCUITS MAY VARY.
5. LEAD COLORS ARE OPTIONAL. LEADS MUST BE NUMBERED AS SHOWN.

REV. DESC: REVISE TO SHOW OPTIONAL COLORS			
REV. LTR: D	BY: JLP	REVISED: 01/21/99 4:02	TDR: 0171435
9000D		FILE: AAA00005141	MDL: -
		MTL: -	

BALDOR ELECTRIC Co.

3PH, SV, 3 LEADS, WYE OR DELTA CONNECTED

CD0006