

BALDOR® • RELIANCE 

Product Information Packet

EHM3157T-8

2HP,1750RPM,3PH,60HZ,145T,3524M,OPSB,F1

| Part Detail | | | | | | | |
|-------------|---------|-------------|------------|-------------|--------|---------------|------------|
| Revision: | T | Status: | PRD/A | Change #: | | Proprietary: | No |
| Type: | AC | Elec. Spec: | 35WGM921 | CD Diagram: | CD0006 | Mfg Plant: | |
| Mech. Spec: | 35VV807 | Layout: | 35LYVV807 | Poles: | 04 | Created Date: | 12-06-2011 |
| Base: | RG | Eff. Date: | 08-22-2017 | Leads: | 3#16 | | |

| Specs | | | |
|---------------------------------|-------------------------|--------------------------------|--------------------|
| Catalog Number: | EHM3157T-8 | Inverter Code: | Inverter Ready |
| Enclosure: | OPSB | KVA Code: | K |
| Frame: | 145T | Lifting Lugs: | No Lifting Lugs |
| Frame Material: | Steel | Locked Bearing Indicator: | No Locked Bearing |
| Output @ Frequency: | 2.000 HP @ 60 HZ | Motor Lead Quantity/Wire Size: | 3 @ 16 AWG |
| Synchronous Speed @ Frequency: | 1800 RPM @ 60 HZ | Motor Lead Exit: | Ko Box |
| Voltage @ Frequency: | 200.0 V @ 60 HZ | Motor Lead Termination: | Flying Leads |
| XP Class and Group: | None | Motor Type: | 3524M |
| XP Division: | Not Applicable | Mounting Arrangement: | F1 |
| Agency Approvals: | CSA | Power Factor: | 77 |
| | UR | Product Family: | General Purpose |
| Auxillary Box: | No Auxillary Box | Pulley End Bearing Type: | Ball |
| Auxillary Box Lead Termination: | None | Pulley Face Code: | Standard |
| Base Indicator: | Rigid | Pulley Shaft Indicator: | Standard |
| Bearing Grease Type: | Polyrex EM (-20F +300F) | Rodent Screen: | None |
| Blower: | None | RoHS Status: | ROHS COMPLIANT |
| Current @ Voltage: | 6.500 A @ 200.0 V | Shaft Extension Location: | Pulley End |
| | 6.500 A @ 208.0 V | Shaft Ground Indicator: | No Shaft Grounding |

| | | | |
|---------------------------------------|---------------------------|------------------------------------|---------------------|
| Design Code: | B | Shaft Rotation: | Reversible |
| Drip Cover: | No Drip Cover | Shaft Slinger Indicator: | No Slinger |
| Duty Rating: | CONT | Speed Code: | Single Speed |
| Electrically Isolated Bearing: | Not Electrically Isolated | Motor Standards: | NEMA |
| Feedback Device: | NO FEEDBACK | Starting Method: | Direct on line |
| Front Face Code: | Standard | Thermal Device - Bearing: | NONE (OLD) |
| Front Shaft Indicator: | None | Thermal Device - Winding: | None |
| Heater Indicator: | No Heater | Vibration Sensor Indicator: | No Vibration Sensor |
| Insulation Class: | F | Winding Thermal 1: | None |
| | | Winding Thermal 2: | None |

| Nameplate NP2094C06B03 | |
|------------------------|--------------------|
| CAT.NO. | EHM3157T-8 |
| SPEC. | 35VV807M921G1 |
| HP | 2 |
| VOLTS | 200 |
| AMPS | 6.5 |
| RPM | 1750 |
| FRAME | 145T |
| | HZ 60 |
| | PH 3 |
| SER.F. | 1.15 |
| | CODE K |
| | DES B |
| | CL F |
| NEMA-NOM-EFF | 86.5 |
| | PF 77 |
| RATING | 40C AMB-CONT |
| CC | 010A |
| | USABLE AT 208V 6.5 |
| DE | 6205 |
| | ODE 6203 |
| AUTO | N |
| | MANUAL N |
| | NONE Y |
| ENCL | OPSB |
| | SN |
| BLANK | |

| Parts List | | |
|-------------|--|----------|
| Part Number | Description | Quantity |
| SA235340 | SA 35VV807M921G1 | 1.000 EA |
| RA222302 | RA 35VV807M921G1 | 1.000 EA |
| NS2512A01 | INSULATOR, CONDUIT BOX X | 1.000 EA |
| 35CB4004A17 | SHEET METAL KOBX 35 (STAMPED) 35CB4004 L | 1.000 EA |
| 51XT1032A04 | 10-32X1/4 HX WA SL SR TYT (F/S) | 4.000 EA |
| 11XW1032G06 | 10-32 X .38, TAPTITE II, HEX WSHR SLTD U | 1.000 EA |
| HW3001B01 | BRASS CUP WASHER, FOR #10 SCREW | 1.000 EA |
| 35EP3209B00 | MASTER ODE,203 BRG,GRSR,RLF | 1.000 EA |
| HW4500A19 | 1/4-28X1/4 SLOTTED PLUG F/S | 1.000 EA |
| HW4500A20 | 1/8NPT SL PIPE PLUG | 1.000 EA |
| HW5100A03 | WAVY WASHER (W1543-017) | 1.000 EA |
| 35EP3210D00 | MASTER DE,205 BRG,GRSR,STD SH,AEGIS HALF | 1.000 EA |
| 91XN0540J08 | SCREW, 5-40 X 1/2", FHC, AS | 2.000 EA |
| HW4500A19 | 1/4-28X1/4 SLOTTED PLUG F/S | 1.000 EA |
| HW4500A20 | 1/8NPT SL PIPE PLUG | 1.000 EA |
| XY1032A02 | 10-32 HEX NUT DIRECTIONAL SERRATION | 4.000 EA |
| 35CB4509 | BOX LID MODEL 35 FOR 35CB4004-GALV & PHO | 1.000 EA |
| 51XB1016A08 | 10-16X 1/2HXWSSLD SERTYB | 4.000 EA |
| HW2501D13 | KEY, 3/16 SQ X 1.375 | 1.000 EA |
| HA7000A01 | KEY RETAINER 7/8" DIA SHAFT | 1.000 EA |
| HA6362ZP | LIFTING LUG FOR 36 FRAME MOTORS. | 2.000 EA |
| MJ1000A02 | GREASE, POLYREX EM EXXON (USe 4824-15A) | 0.050 LB |
| MG1000G27 | MED CHARCOAL METALLIC GREY 400-0096 | 0.017 GA |
| HA3100A17 | THRUBOLT 10-32 X 9.000 | 4.000 EA |

| Parts List (continued) | | |
|-------------------------------|--|-----------------|
| Part Number | Description | Quantity |
| 35AD2005A01 | BAFFLE PLATE,MOD 35-SLTD BAND MTRS GL.F. | 2.000 EA |
| LC0006 | CONNECTION LABEL | 1.000 EA |
| NP2094C06B03 | NP LABEL W/BARCODE (FOR HVAC MOTOR) | 1.000 EA |
| 35PA1066 | PKG GRP, PRINT PK1008A06 | 1.000 EA |
| MN416A01 | TAG-INSTAL-MAINT no wire (1200/bx) 5/18 | 1.000 EA |
| PE-0000001 | ZRTG PE ASSEMBLY | 1.000 EA |
| FE-0000001 | ZRTG FE ASSEMBLY | 1.000 EA |

AC Induction Motor Performance Data

Record # 32618 - Typical performance - not guaranteed values

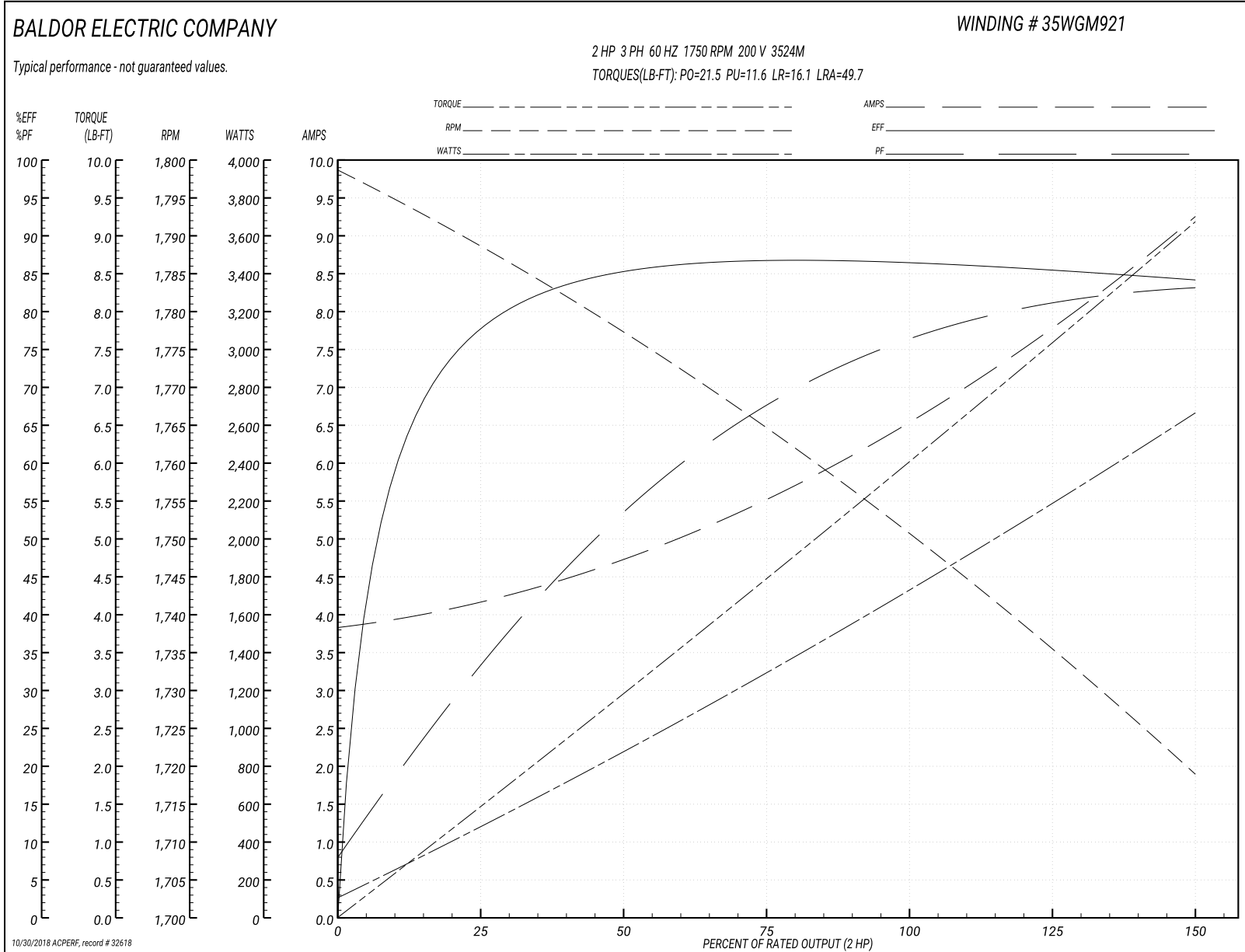
| | | |
|-------------------------------|--------------------|------------------------|
| Winding: 35WGM921-R001 | Type: 3524M | Enclosure: OPSB |
|-------------------------------|--------------------|------------------------|

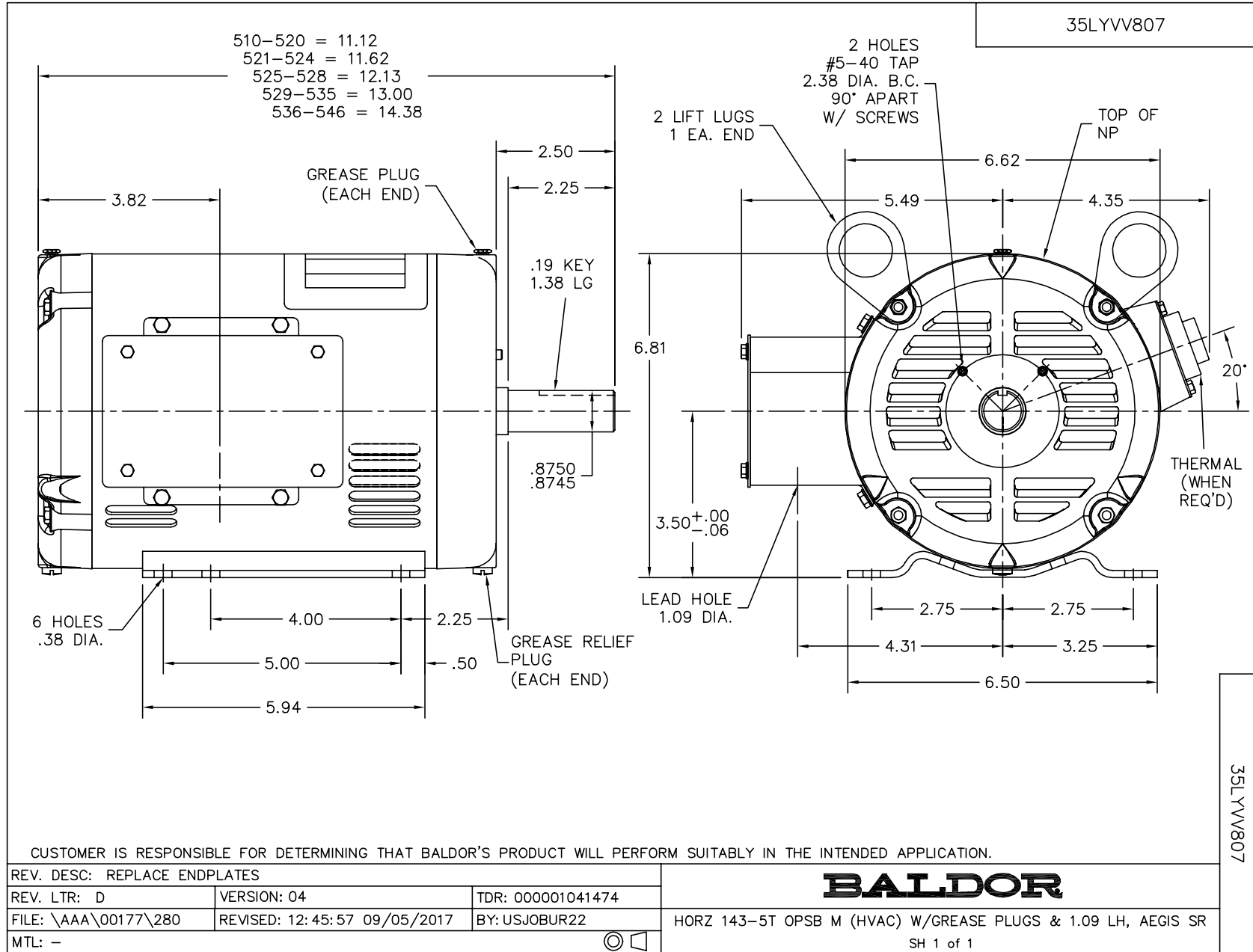
| Nameplate Data | | | | 200 V, 60 Hz: Single Voltage Motor | |
|-----------------------|--------------|--------------|----|---------------------------------------|--------------------------|
| Rated Output (HP) | 2 | | | Full Load Torque | 6.02 LB-FT |
| Volts | 200 | | | Start Configuration | direct on line |
| Full Load Amps | 6.5 | | | Breakdown Torque | 21.5 LB-FT |
| R.P.M. | 1750 | | | Pull-up Torque | 11.6 LB-FT |
| Hz | 60 | Phase | 3 | Locked-rotor Torque | 16.1 LB-FT |
| NEMA Design Code | B | KVA Code | K | Starting Current | 49.7 A |
| Service Factor (S.F.) | 1.15 | | | No-load Current | 3.89 A |
| NEMA Nom. Eff. | 86.5 | Power Factor | 77 | Line-line Res. @ 25°C | 1.64 Ω |
| Rating - Duty | 40C AMB-CONT | | | Temp. Rise @ Rated Load | 37°C |
| S.F. Amps | | | | Temp. Rise @ S.F. Load | 44°C |
| | | | | Locked-rotor Power Factor | 52.7 |
| | | | | Rotor inertia | 0.142 LB-FT ² |

Load Characteristics 200 V, 60 Hz, 2 HP

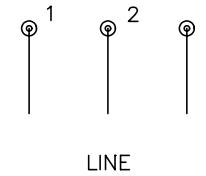
| % of Rated Load | 25 | 50 | 75 | 100 | 125 | 150 | S.F. |
|-----------------|------|------|------|------|------|------|------|
| Power Factor | 34 | 55 | 67 | 76 | 81 | 84 | 79 |
| Efficiency | 77.6 | 85 | 86.8 | 86.6 | 85.6 | 84.1 | 86.1 |
| Speed | 1788 | 1777 | 1765 | 1751 | 1735 | 1719 | 1748 |
| Line amperes | 4.1 | 4.68 | 5.56 | 6.59 | 7.81 | 9.22 | 7.26 |

Performance Graph at 200V, 60Hz, 2.0HP Typical performance - Not guaranteed values





CD0006



NOTES:

1. THREE LEAD MOTOR MAY BE EITHER WYE CONNECTED OR DELTA CONNECTED.
2. INTERCHANGE ANY TWO LINE LEADS TO REVERSE ROTATION.
3. OPTIONAL THERMOSTATS ARE PROVIDED WHEN SPECIFIED.
4. ACTUAL NUMBER OF INTERNAL PARALLEL CIRCUITS MAY VARY.
5. LEAD COLORS ARE OPTIONAL. LEADS MUST BE NUMBERED AS SHOWN.

| | | | |
|---|---------|------------------------|--------------|
| REV. DESC: REVISE TO SHOW OPTIONAL COLORS | | | |
| REV. LTR: D | BY: JLP | REVISED: 01/21/99 4:02 | TDR: 0171435 |
| 9000D | | FILE: AAA00005141 | MDL: - |
| | | MTL: - | |

BALDOR ELECTRIC Co.

3PH, SV, 3 LEADS, WYE OR DELTA CONNECTED

CD0006