

**BALDOR® • RELIANCE** 

**Product Information Packet**

**EHM3313T-8**

**10HP,1770RPM,3PH,60HZ,215T,3740M,OPSB,F1**

Part Detail							
Revision:	R	Status:	PRD/A	Change #:		Proprietary:	No
Type:	AC	Elec. Spec:	37WGT937	CD Diagram:	CD0006	Mfg Plant:	
Mech. Spec:	37J637	Layout:	37LYJ637	Poles:	04	Created Date:	02-18-2010
Base:	RG	Eff. Date:	06-27-2018	Leads:	3#10		

Specs			
Catalog Number:	EHM3313T-8	Inverter Code:	Inverter Ready
Enclosure:	OPSB	KVA Code:	H
Frame:	215T	Lifting Lugs:	Standard Lifting Lugs
Frame Material:	Steel	Locked Bearing Indicator:	No Locked Bearing
Output @ Frequency:	10.000 HP @ 60 HZ	Motor Lead Quantity/Wire Size:	3 @ 10 AWG
Synchronous Speed @ Frequency:	1800 RPM @ 60 HZ	Motor Lead Exit:	Ko Box
Voltage @ Frequency:	200.0 V @ 60 HZ	Motor Lead Termination:	Flying Leads
XP Class and Group:	None	Motor Type:	3740M
XP Division:	Not Applicable	Mounting Arrangement:	F1
Agency Approvals:	CSA	Power Factor:	82
	UR	Product Family:	General Purpose
Auxillary Box:	No Auxillary Box	Pulley End Bearing Type:	Ball
Auxillary Box Lead Termination:	None	Pulley Face Code:	Standard
Base Indicator:	Rigid	Pulley Shaft Indicator:	Standard
Bearing Grease Type:	Polyrex EM (-20F +300F)	Rodent Screen:	None
Blower:	None	RoHS Status:	ROHS COMPLIANT
Current @ Voltage:	29.500 A @ 200.0 V	Shaft Extension Location:	Pulley End
	30.300 A @ 208.0 V	Shaft Ground Indicator:	No Shaft Grounding

<b>Design Code:</b>	B	<b>Shaft Rotation:</b>	Reversible
<b>Drip Cover:</b>	No Drip Cover	<b>Shaft Slinger Indicator:</b>	No Slinger
<b>Duty Rating:</b>	CONT	<b>Speed Code:</b>	Single Speed
<b>Electrically Isolated Bearing:</b>	Not Electrically Isolated	<b>Motor Standards:</b>	NEMA
<b>Feedback Device:</b>	NO FEEDBACK	<b>Starting Method:</b>	Direct on line
<b>Front Face Code:</b>	Standard	<b>Thermal Device - Bearing:</b>	NONE (OLD)
<b>Front Shaft Indicator:</b>	None	<b>Thermal Device - Winding:</b>	None
<b>Heater Indicator:</b>	No Heater	<b>Vibration Sensor Indicator:</b>	No Vibration Sensor
<b>Insulation Class:</b>	F	<b>Winding Thermal 1:</b>	None
		<b>Winding Thermal 2:</b>	None

Nameplate NP2094E06B03										
CAT.NO.	EHM3313T-8									
SPEC.	37J637T937G1									
HP	10									
VOLTS	200									
AMPS	29.5									
RPM	1770									
FRAME	215T			HZ 60				PH 3		
SER.F.	1.15		CODE	H		DES	B		CL	F
NEMA-NOM-EFF	91.7		PF	82						
RATING	40C AMB-CONT									
CC	010A			USABLE AT 208V						30.3
DE	6307			ODE	6206					
AUTO	N		MANUAL	N			NONE			Y
ENCL	OPSB		SN							
BLANK										

Parts List		
Part Number	Description	Quantity
SA191082	SA 37J637T937G1	1.000 EA
RA178745	RA 37J637T937G1	1.000 EA
HA6361A01	LIFTING LUG FOR 37, 39 & 40 FRAME ZINC	2.000 EA
37CB3006	37 CB CASTING W/1.38 LEAD HOLE @ 6:00	1.000 EA
51XW2520A10	.25-20 X .62, TAPTITE II, HEX WSHR SLTD	4.000 EA
11XW1032G06	10-32 X .38, TAPTITE II, HEX WSHR SLTD U	1.000 EA
HW3001B01	BRASS CUP WASHER, FOR #10 SCREW	1.000 EA
37EP3203D00	MASTER,ODE,206 BRG,GREASER,RELIEF	1.000 EA
HW4500A19	1/4-28X1/4 SLOTTED PLUG F/S	1.000 EA
HW4500A20	1/8NPT SL PIPE PLUG	1.000 EA
HW5100A06	W2420-025 WVY WSHR (WB)	1.000 EA
37EP3204A00	MASTER,DE,307 BRG,GREASER,RELIEF,AEGIS H	1.000 EA
HW4500A19	1/4-28X1/4 SLOTTED PLUG F/S	1.000 EA
HW4500A20	1/8NPT SL PIPE PLUG	1.000 EA
91XN0540J08	SCREW, 5-40 X 1/2", FHC, AS	4.000 EA
XY3118A12	5/16-18 HEX NUT DIRECTIONAL SERRATION	4.000 EA
37CB4516	LIPPED LID FOR 37 FRAME NEC KOBX	1.000 EA
51XW0832A07	8-32 X .44, TAPTITE II, HEX WSHR SLTD SE	4.000 EA
HW2501F21	KEY, 5/16 SQ X 2.375	1.000 EA
HA7000A02	KEY RETAINER RING, 1 1/8 DIA, 1 3/8 DIA	1.000 EA
MJ1000A02	GREASE, POLYREX EM EXXON (USe 4824-15A)	0.050 LB
MG1000G27	MED CHARCOAL METALLIC GREY 400-0096	0.028 GA
HA3104A35	THRUBOLT .31-18 X 13.687	4.000 EA
37AD2001A01	BAFFLE PLATE, PLASTIC 0.63" WIDTH	2.000 EA

<b>Parts List (continued)</b>		
<b>Part Number</b>	<b>Description</b>	<b>Quantity</b>
LC0006	CONNECTION LABEL	1.000 EA
NP2094E06B03	NP LABEL W/BARCODE (PREM EFF HVAC MTR)	1.000 EA
36PA1001	PKG GRP, PRINT PK1017A06	1.000 EA
MN416A01	TAG-INSTAL-MAINT no wire (1200/bx) 5/18	1.000 EA
PE-0000001	ZRTG PE ASSEMBLY	1.000 EA
FE-0000001	ZRTG FE ASSEMBLY	1.000 EA

**AC Induction Motor Performance Data**

Record # 17618 - Typical performance - not guaranteed values

<b>Winding:</b> 37WGT937-R001	<b>Type:</b> 3740M	<b>Enclosure:</b> OPSB
-------------------------------	--------------------	------------------------

Nameplate Data				200 V, 60 Hz: Single Voltage Motor	
Rated Output (HP)	10			Full Load Torque	29.68 LB-FT
Volts	200			Start Configuration	direct on line
Full Load Amps	29.5			Breakdown Torque	94.73 LB-FT
R.P.M.	1765			Pull-up Torque	51.57 LB-FT
Hz	60	Phase	3	Locked-rotor Torque	57.55 LB-FT
NEMA Design Code	B	KVA Code	J	Starting Current	225 A
Service Factor (S.F.)	1.15			No-load Current	14.79 A
NEMA Nom. Eff.	91.7	Power Factor	82	Line-line Res. @ 25°C	0.19 Ω
Rating - Duty	40C AMB-CONT			Temp. Rise @ Rated Load	34°C
S.F. Amps				Temp. Rise @ S.F. Load	41°C
				Locked-rotor Power Factor	38
				Rotor inertia	0.984 LB-FT <sup>2</sup>

**Load Characteristics 200 V, 60 Hz, 10 HP**

% of Rated Load	25	50	75	100	125	150	S.F.
Power Factor	39	60	72	78	82	83	82
Efficiency	86.5	91.5	92.1	91.8	90.9	89.7	91.2
Speed	1793	1787	1779	1771	1763	1753	1765
Line amperes	16.14	19.77	24.38	29.96	36.17	43.27	33.3

Performance Graph at 200V, 60Hz, 10.0HP Typical performance - Not guaranteed values

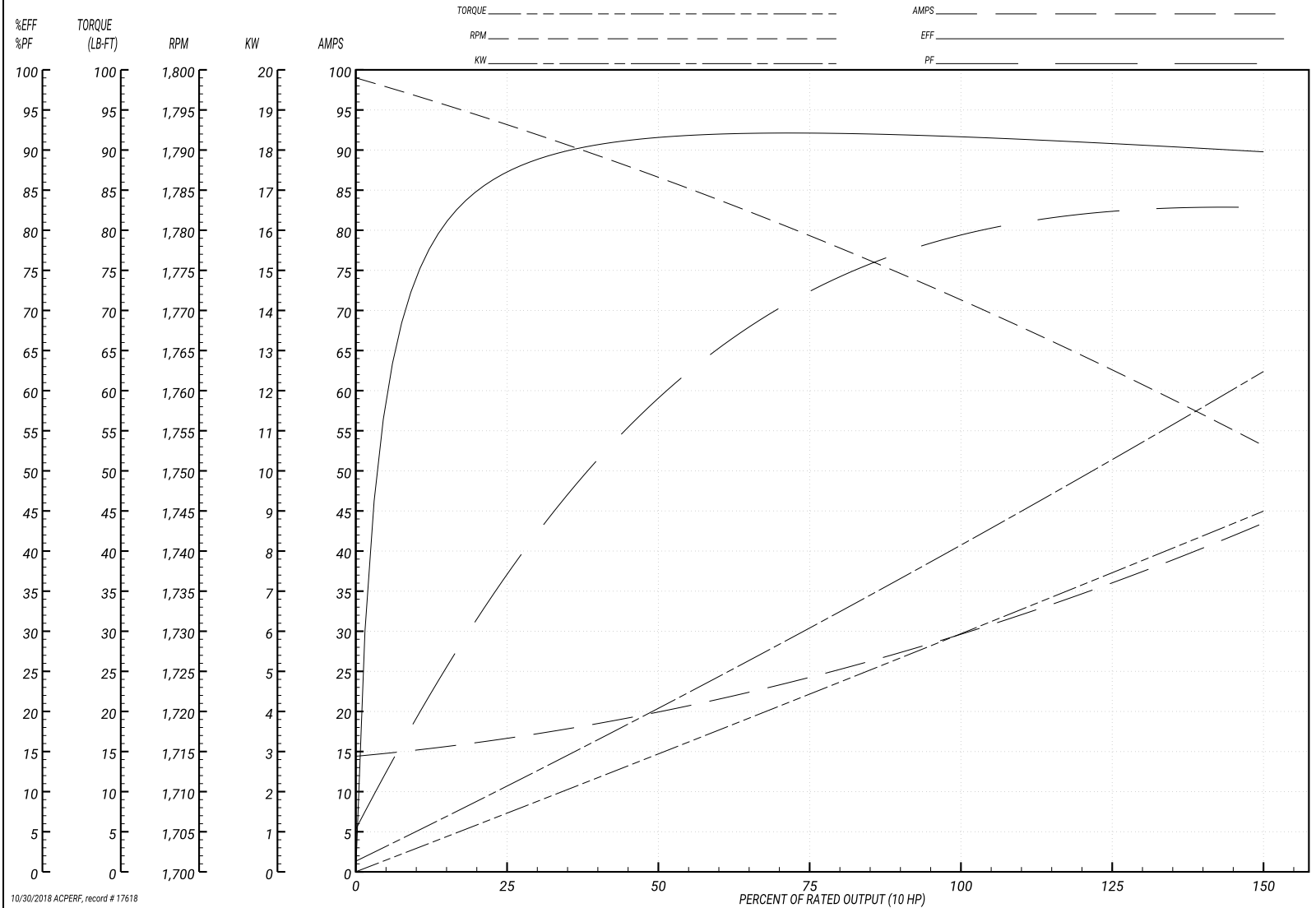
**BALDOR ELECTRIC COMPANY**

WINDING # 37WGT937

Typical performance - not guaranteed values.

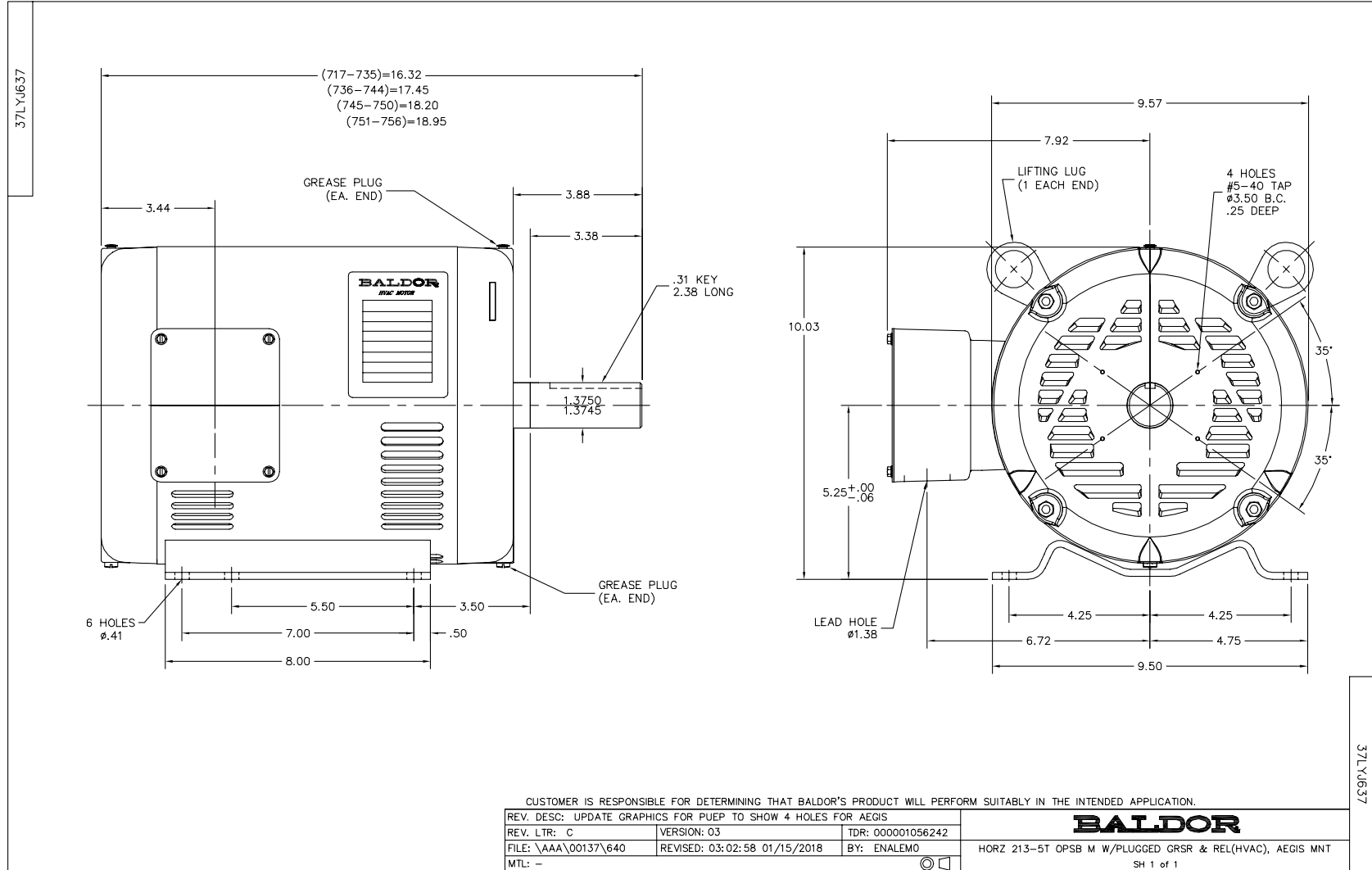
10 HP 3 PH 60 HZ 1765 RPM 200 V 3740M

TORQUES(LB-FT): PO=94.73 PU=51.57 LR=57.55 LRA=225

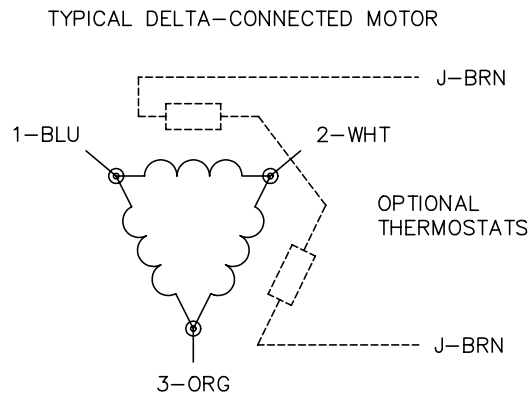
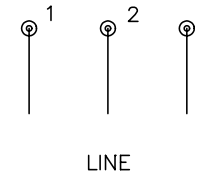
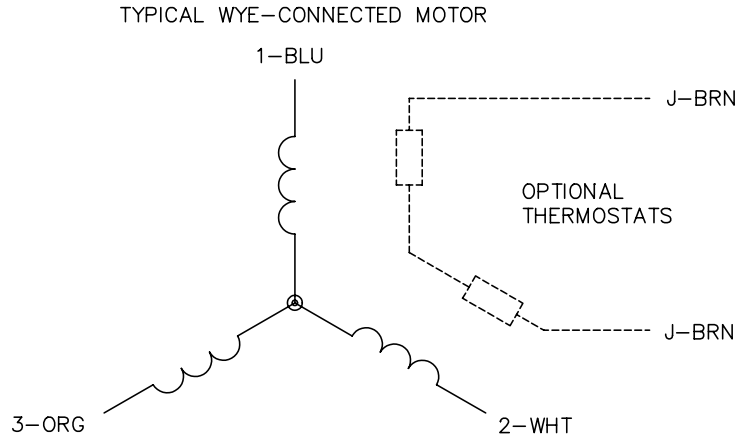


10/30/2018 ACPERF, record # 17618





CD0006



NOTES:

1. THREE LEAD MOTOR MAY BE EITHER WYE CONNECTED OR DELTA CONNECTED.
2. INTERCHANGE ANY TWO LINE LEADS TO REVERSE ROTATION.
3. OPTIONAL THERMOSTATS ARE PROVIDED WHEN SPECIFIED.
4. ACTUAL NUMBER OF INTERNAL PARALLEL CIRCUITS MAY VARY.
5. LEAD COLORS ARE OPTIONAL. LEADS MUST BE NUMBERED AS SHOWN.

REV. DESC: REVISE TO SHOW OPTIONAL COLORS			
REV. LTR: D	BY: JLP	REVISED: 01/21/99 4:02	TDR: 0171435
9000D		FILE: AAA00005141	MDL: -
		MTL: -	

**BALDOR ELECTRIC Co.**

3PH, SV, 3 LEADS, WYE OR DELTA CONNECTED

CD0006