

BALDOR® • RELIANCE 

Product Information Packet

EHM4104T-5

30HP,1770RPM,3PH,60HZ,286T,1056M,TEFC,F1

| Part Detail | | | | | | | |
|-------------|--------|-------------|------------|-------------|--------|---------------|------------|
| Revision: | R | Status: | PRD/A | Change #: | | Proprietary: | No |
| Type: | AC | Elec. Spec: | 10WGY759 | CD Diagram: | CD0006 | Mfg Plant: | |
| Mech. Spec: | 10H756 | Layout: | 10LYH756 | Poles: | 04 | Created Date: | 12-12-2011 |
| Base: | RG | Eff. Date: | 08-21-2018 | Leads: | 3#10 | | |

| Specs | | | |
|---------------------------------|-------------------------|--------------------------------|--------------------------|
| Catalog Number: | EHM4104T-5 | Inverter Code: | Inverter Ready |
| Enclosure: | TEFC | KVA Code: | G |
| Frame: | 286T | Lifting Lugs: | Standard Lifting Lugs |
| Frame Material: | Iron | Locked Bearing Indicator: | Locked Bearing |
| Output @ Frequency: | 30.000 HP @ 60 HZ | Motor Lead Quantity/Wire Size: | 3 @ 10 AWG |
| Synchronous Speed @ Frequency: | 1800 RPM @ 60 HZ | Motor Lead Exit: | Ko Box |
| Voltage @ Frequency: | 575.0 V @ 60 HZ | Motor Lead Termination: | Flying Leads |
| XP Class and Group: | None | Motor Type: | 1056M |
| XP Division: | Not Applicable | Mounting Arrangement: | F1 |
| Agency Approvals: | CSA | Power Factor: | 83 |
| | CSA EEV | Product Family: | General Purpose |
| | UR | Pulley End Bearing Type: | Ball |
| Auxillary Box: | No Auxillary Box | Pulley Face Code: | Standard |
| Auxillary Box Lead Termination: | None | Pulley Shaft Indicator: | Standard |
| Base Indicator: | Rigid | Rodent Screen: | None |
| Bearing Grease Type: | Polyrex EM (-20F +300F) | Shaft Extension Location: | Pulley End |
| Blower: | None | Shaft Ground Indicator: | Mounting Provisions Only |
| Current @ Voltage: | 29.000 A @ 575.0 V | Shaft Rotation: | Reversible |

| | | | |
|---------------------------------------|---------------------------|------------------------------------|---------------------|
| Design Code: | A | Shaft Slinger Indicator: | No Slinger |
| Drip Cover: | No Drip Cover | Speed Code: | Single Speed |
| Duty Rating: | CONT | Motor Standards: | NEMA |
| Electrically Isolated Bearing: | Not Electrically Isolated | Starting Method: | Direct on line |
| Feedback Device: | NO FEEDBACK | Thermal Device - Bearing: | NONE (OLD) |
| Front Face Code: | Standard | Thermal Device - Winding: | None |
| Front Shaft Indicator: | None | Vibration Sensor Indicator: | No Vibration Sensor |
| Heater Indicator: | No Heater | Winding Thermal 1: | None |
| Insulation Class: | F | Winding Thermal 2: | None |

| Nameplate NP2138L | | | | | | | | | | | |
|-------------------|--------------|--|----|----------------|--------|------------|------|-----------|---------|------|--|
| CAT.NO. | EHM4104T-5 | | | P/N | | | | ENCLOSURE | TEFC | | |
| SPEC. | 10H756Y759G1 | | CC | 010A | | FRAME | 286T | | S/N | | |
| HP | 30 | | | CLASS | F | | HZ | 60 | | | |
| RPM | 1770 | | | PH | 3 | | DES | A | | | |
| VOLT | 575 | | | | | KVA-CODE | G | | ODE BRG | 6309 | |
| AMP | 29 | | | USABLE AT 208V | | | | | | | |
| RATING | 40C AMB-CONT | | | | GREASE | POLYREX EM | | | | | |
| NEMA-NOM-EFF | 93.6 | | PF | 83 | | SER.F. | 1.15 | | | | |
| HTR-VOLTS | | | | HTR-AMPS | | | | | | | |

| Parts List | | |
|--------------|--|----------|
| Part Number | Description | Quantity |
| SA235653 | SA 10H756Y759G1 | 1.000 EA |
| RA222613 | RA 10H756Y759G1 | 1.000 EA |
| 09FN3001C02 | EXTERNAL FAN, PLASTIC | 1.000 EA |
| 10CB3000SP | STD KO BOX MODEL 310,312,314 MTRS W/2.00 | 1.000 EA |
| 12GS1000SP | GASKET | 1.000 EA |
| 10XN3118K12 | 5/16-18 X .75 GRADE 5, ZINC PLATED | 4.000 EA |
| HW1001A31 | LOCKWASHER 5/16, ZINC PLT.591 OD, .319 I | 4.000 EA |
| WD1000B25 | GND LUG, BURNDY L125HP OR T&B L125HP-BB | 1.000 EA |
| 19XW3118G08 | .31-18X.50,HEX WSHR HD,TAPTITE 2,GREEN | 1.000 EA |
| 10EP1106A01 | FR ENDPLATE, MACH | 1.000 EA |
| 10XN3816K32 | BOLT, 3/8-16X2 HH YZ(5) | 4.000 EA |
| HW1001A38 | LOCKWASHER 3/8, ZINC PLT .688 OD, .382 I | 4.000 EA |
| HA4017A01 | 1/8 X 4 GREASE EXT (F/S) | 1.000 EA |
| HW5100A11 | W3917-042 WVY WSHR (WB) | 1.000 EA |
| 10XN2520K32 | 1/4-20 X 2.00 HX HD SCRW GRADE 5, ZINC P | 2.000 EA |
| HW1001A25 | LOCKWASHER 1/4, ZINC PLT .493 OD, .255 I | 2.000 EA |
| 10XN3118K40 | 5/16-18 X 2.50" HEX HD, GRADE 5 | 4.000 EA |
| HW1001A31 | LOCKWASHER 5/16, ZINC PLT.591 OD, .319 I | 4.000 EA |
| 10EP1105A106 | PU ENDPLATE, MACH W/1/2 SH GND MTG | 1.000 EA |
| 84XN0540J08 | 5-40 X 1/2" SHCS, BLACK OXIDE | 2.000 EA |
| 10XN3816K28 | 3/8-16 X 1.75 HEX HD CAP SCREW, GRADE 5 | 4.000 EA |
| HW1001A38 | LOCKWASHER 3/8, ZINC PLT .688 OD, .382 I | 4.000 EA |
| 10FH4000 | 310 FAN HOUSING STAMPED | 1.000 EA |
| 51XF2520A08 | SCREW, HEX SER SLT HD, ZN 1/4-20 X .50 L | 4.000 EA |

| Parts List (continued) | | |
|------------------------|--|----------|
| Part Number | Description | Quantity |
| 10CB3500SP | CONDUIT BOX LID, CAST | 1.000 EA |
| 10GS1000SP | GASKET, CONDUIT BOX LID | 1.000 EA |
| 51XW2520A12 | .25-20 X .75, TAPTITE II, HEX WSHR SLTD | 4.000 EA |
| HW2501H28 | KEY, 1/2 SQ X 3.250 | 1.000 EA |
| LB1115N | LABEL,LIFTING DEVICE (ON ROLLS) | 1.000 EA |
| MN416A01 | TAG-INSTAL-MAINT no wire (1200/bx) 5/18 | 1.000 EA |
| HW4500A35 | 1/8 NPT STEEL .50 HEX CAP | 1.000 EA |
| HW4500A20 | 1/8NPT SL PIPE PLUG | 1.000 EA |
| HA4054 | SHORT T-DRAIN FITTING, .125" N.P.T. | 1.000 EA |
| MJ1000A02 | GREASE, POLYREX EM EXXON (USe 4824-15A) | 0.130 LB |
| HW4500A20 | 1/8NPT SL PIPE PLUG | 2.000 EA |
| HA4054 | SHORT T-DRAIN FITTING, .125" N.P.T. | 1.000 EA |
| HW2500A25 | WOODRUFF KEY USA #1008 #BLOW CARBON STEE | 1.000 EA |
| 51XB1214A20 | 12-14X1.25 HXWSSLD SERTYB | 1.000 EA |
| MG1000G27 | MED CHARCOAL METALLIC GREY 400-0096 | 0.070 GA |
| 85XU0407S04 | 4X1/4 U DRIVE PIN STAINLESS | 4.000 EA |
| LB1119N | WARNING LABEL | 1.000 EA |
| LC0006 | CONNECTION LABEL | 1.000 EA |
| NP2138L | ALUM SUPER-E UL CSA-EEV PREM CC (300 | 1.000 EA |
| 10PA1000 | PACKAGING GROUP COMBINED PRINT PK1023A06 | 1.000 EA |
| FE-0000022 | ZRTG FE ASSEMBLY | 1.000 EA |

AC Induction Motor Performance Data

Record # 30991 - Typical performance - not guaranteed values

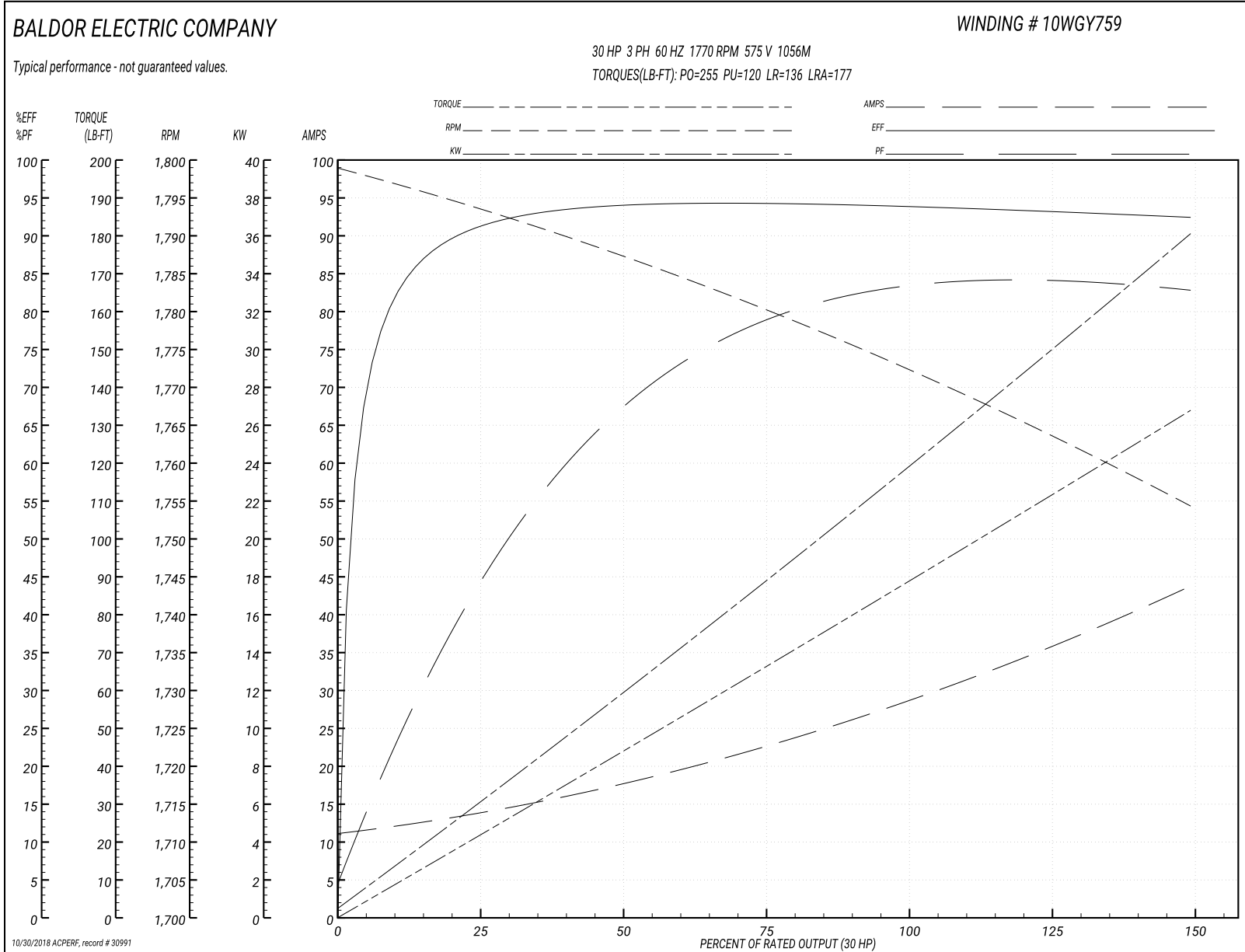
| | | |
|-------------------------------|--------------------|------------------------|
| Winding: 10WGY759-R001 | Type: 1056M | Enclosure: TEFC |
|-------------------------------|--------------------|------------------------|

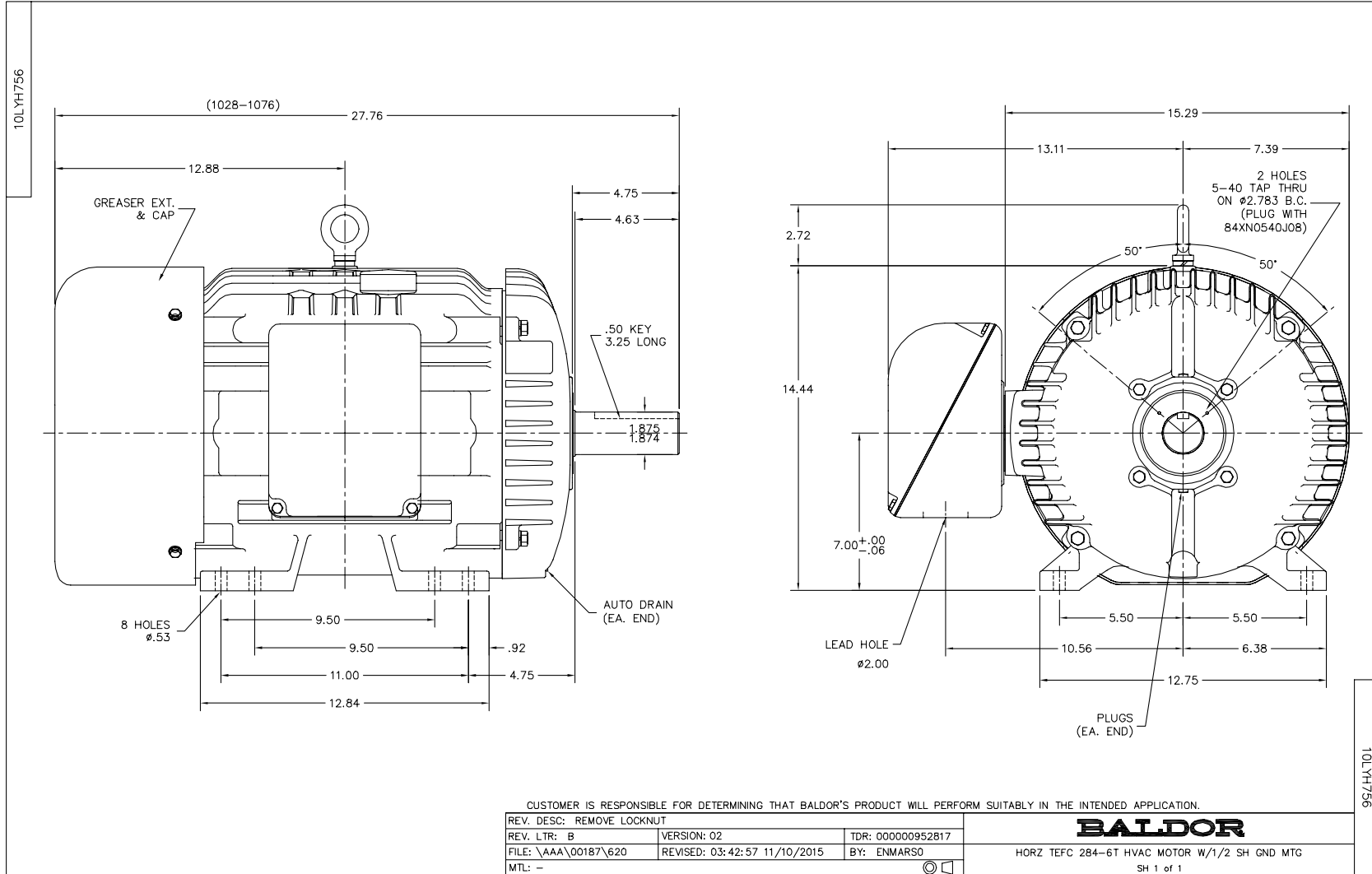
| Nameplate Data | | | | 575 V, 60 Hz: Single Voltage Motor | |
|-----------------------|--------------|--------------|----|---------------------------------------|-------------------------|
| Rated Output (HP) | 30 | | | Full Load Torque | 89.2 LB-FT |
| Volts | 575 | | | Start Configuration | direct on line |
| Full Load Amps | 29 | | | Breakdown Torque | 255 LB-FT |
| R.P.M. | 1770 | | | Pull-up Torque | 120 LB-FT |
| Hz | 60 | Phase | 3 | Locked-rotor Torque | 136 LB-FT |
| NEMA Design Code | B | KVA Code | G | Starting Current | 177 A |
| Service Factor (S.F.) | 1.15 | | | No-load Current | 11.5 A |
| NEMA Nom. Eff. | 93.6 | Power Factor | 83 | Line-line Res. @ 25°C | 0.375 Ω |
| Rating - Duty | 40C AMB-CONT | | | Temp. Rise @ Rated Load | 58°C |
| S.F. Amps | | | | Temp. Rise @ S.F. Load | 71°C |
| | | | | Locked-rotor Power Factor | 32 |
| | | | | Rotor inertia | 4.45 LB-FT ² |

Load Characteristics 575 V, 60 Hz, 30 HP

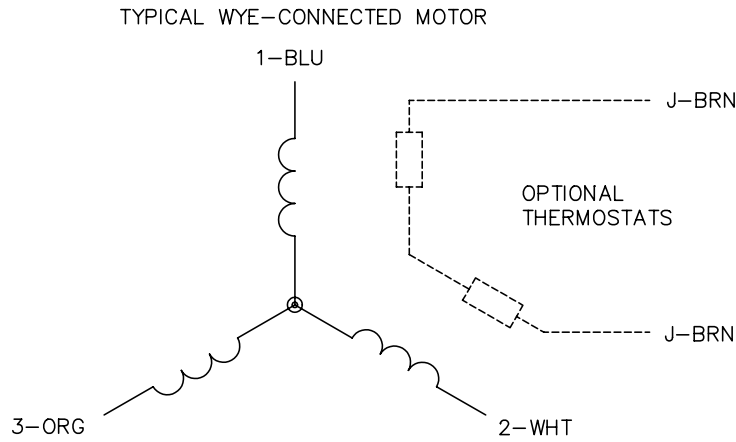
| % of Rated Load | 25 | 50 | 75 | 100 | 125 | 150 | S.F. |
|-----------------|------|------|------|------|------|------|------|
| Power Factor | 47 | 69 | 77 | 84 | 84 | 83 | 84 |
| Efficiency | 90.9 | 93.9 | 94.4 | 94 | 92.9 | 92.5 | 93.4 |
| Speed | 1794 | 1786 | 1780 | 1773 | 1764 | 1754 | 1768 |
| Line amperes | 13.3 | 17.6 | 23.4 | 28.5 | 35.9 | 43.6 | 32.9 |

Performance Graph at 575V, 60Hz, 30.0HP Typical performance - Not guaranteed values





CD0006



NOTES:

1. THREE LEAD MOTOR MAY BE EITHER WYE CONNECTED OR DELTA CONNECTED.
2. INTERCHANGE ANY TWO LINE LEADS TO REVERSE ROTATION.
3. OPTIONAL THERMOSTATS ARE PROVIDED WHEN SPECIFIED.
4. ACTUAL NUMBER OF INTERNAL PARALLEL CIRCUITS MAY VARY.
5. LEAD COLORS ARE OPTIONAL. LEADS MUST BE NUMBERED AS SHOWN.

| | | | |
|---|---------|------------------------|--------------|
| REV. DESC: REVISE TO SHOW OPTIONAL COLORS | | | |
| REV. LTR: D | BY: JLP | REVISED: 01/21/99 4:02 | TDR: 0171435 |
| 9000D | | FILE: AAA00005141 | MDL: - |
| | | MTL: - | |

BALDOR ELECTRIC Co.

3PH, SV, 3 LEADS, WYE OR DELTA CONNECTED

CD0006

Marketing maintained PDF of MN416:

<http://www.baldor.com/support/Literature/Load.ashx/MN416?ManNumber=MN416>