

**BALDOR® • RELIANCE** 

**Product Information Packet**

**EJPM71147T-I**

**7.5//5HP, 1770//1470RPM, 3PH, 60//50HZ, 213T**

Part Detail							
Revision:	K	Status:	PRD/A	Change #:		Proprietary:	No
Type:	AC	Elec. Spec:	07WGX790	CD Diagram:	CD0005	Mfg Plant:	
Mech. Spec:	07K202	Layout:	07LYK202	Poles:	04	Created Date:	04-02-2012
Base:	RG	Eff. Date:	01-24-2018	Leads:	9#14		

Specs			
Catalog Number:	EJPM71147T-I	Front Shaft Indicator:	None
Enclosure:	XPFC	Heater Indicator:	No Heater
Frame:	213TCZ	Insulation Class:	F
Frame Material:	Iron	Inverter Code:	Not Inverter
Output @ Frequency:	7.500 HP @ 60 HZ	KVA Code:	J
	5.000 HP @ 50 HZ	Lifting Lugs:	Standard Lifting Lugs
Synchronous Speed @ Frequency:	1500 RPM @ 50 HZ	Locked Bearing Indicator:	Locked Bearing
Voltage @ Frequency:	230.0 V @ 60 HZ	Motor Lead Quantity/Wire Size:	9 @ 14 AWG
	190.0 V @ 50 HZ	Motor Lead Exit:	Ko Box
	460.0 V @ 60 HZ	Motor Lead Termination:	Flying Leads
	380.0 V @ 50 HZ	Motor Type:	0738M
XP Class and Group:	CLI GP C,D	Mounting Arrangement:	F1
XP Division:	Division I	Power Factor:	81
Agency Approvals:	UR	Product Family:	General Purpose
	UL	Pulley End Bearing Type:	Sealed Bearing
	CSA EEV	Pulley Face Code:	C-Face
	CSA	Pulley Shaft Indicator:	Tapped & Key
Auxillary Box:	No Auxillary Box	Rodent Screen:	None

<b>Auxillary Box Lead Termination:</b>	None	<b>RoHS Status:</b>	ROHS COMPLIANT
<b>Base Indicator:</b>	Rigid	<b>Shaft Extension Location:</b>	Pulley End
<b>Bearing Grease Type:</b>	Polyrex EM (-20F +300F)	<b>Shaft Ground Indicator:</b>	No Shaft Grounding
<b>Blower:</b>	None	<b>Shaft Rotation:</b>	Reversible
<b>Current @ Voltage:</b>	9.500 A @ 460.0 V	<b>Shaft Slinger Indicator:</b>	No Slinger
	8.000 A @ 380.0 V	<b>Speed Code:</b>	Single Speed
	19.000 A @ 230.0 V	<b>Motor Standards:</b>	NEMA
	16.000 A @ 190.0 V	<b>Starting Method:</b>	Direct on line
<b>Design Code:</b>	A	<b>Thermal Device - Bearing:</b>	NONE (OLD)
<b>Drip Cover:</b>	No Drip Cover	<b>Thermal Device - Winding:</b>	Normally Closed Thermostat
<b>Duty Rating:</b>	CONT	<b>Vibration Sensor Indicator:</b>	No Vibration Sensor
<b>Electrically Isolated Bearing:</b>	Not Electrically Isolated	<b>Winding Thermal 1:</b>	None
<b>Feedback Device:</b>	NO FEEDBACK	<b>Winding Thermal 2:</b>	None
<b>Front Face Code:</b>	Standard	<b>XP Temp Code:</b>	T3C

Nameplate NP0977XPSLEV										
NO.							CC	010A		
SER.							TEMP CODE	T3C		
SPEC.	07K202X790G3									
CAT.NO.	EJPM71147T-I									
HP	7.5//5									
VOLTS	230/460//190/380									
AMPS	19/9.5//16/8									
RPM	1770//1470						MOTOR WEIGHT	225		
HERTZ	60//50	PH	3	CL	F	DE BRG	6307			
SER.F.	1.15	DES	A	CODE	J	ODE BRG	6206			
FRAME	213TCZ		GREASE	POLYREX EM						
RATING	55C AMB-CONT									
USABLE AT 208V					NEMA-NOM-EFF	91.7		PF	81	
	NEMA MG-1 PT 5,IP55									

Parts List		
Part Number	Description	Quantity
SA242017	SA 07K202X790G3	1.000 EA
RA228930	RA 07K202X790G3	1.000 EA
37FN3002C01	EXFN, PLASTIC, 6.00 OD, 1.155 ID	1.000 EA
HA3210E08	.250X 7/8 PIN 312-57	1.000 EA
HW3201A05	3/8-16 EYEBOLT	1.000 EA
07CB1000A01	CONDUIT BOX MACH	1.000 EA
10XN3118A16	5/16-18X1 HEX HD CAP	4.000 EA
HW1001A31	LOCKWASHER 5/16, ZINC PLT.591 OD, .319 I	4.000 EA
11XW1032G06	10-32 X .38, TAPTITE II, HEX WSHR SLTD U	1.000 EA
WD1000B17	T&B CX35TN TERMINAL	1.000 EA
07EP1707A17	FREP XP GR C W/DRAINS, GRSRS	1.000 EA
HW4500A19	1/4-28X1/4 SLOTTED PLUG F/S	2.000 EA
HW4506A02	BREATHER/DRAIN-EXP PROOF-.125-27 NPTF AI	1.000 EA
HW3022E05	.125 DIA X .500 ROLLED SPRING PIN	1.000 EA
10XN3816K28	3/8-16 X 1.75 HEX HD CAP SCREW, GRADE 5	4.000 EA
HW1001A38	LOCKWASHER 3/8, ZINC PLT .688 OD, .382 I	4.000 EA
HW5100A06	W2420-025 WVY WSHR (WB)	1.000 EA
07EP1708A12	PUEP 213-5TC 307M "DRILL RIG DUTY" SLING	1.000 EA
HW4500A19	1/4-28X1/4 SLOTTED PLUG F/S	2.000 EA
HW4506A02	BREATHER/DRAIN-EXP PROOF-.125-27 NPTF AI	1.000 EA
HW3022E05	.125 DIA X .500 ROLLED SPRING PIN	1.000 EA
10XN3816K28	3/8-16 X 1.75 HEX HD CAP SCREW, GRADE 5	4.000 EA
HW1001A38	LOCKWASHER 3/8, ZINC PLT .688 OD, .382 I	4.000 EA
10XN2520A32	1/4 X 2 HEX HEAD CAP SCR, GRADE 2	4.000 EA

Parts List (continued)		
Part Number	Description	Quantity
HW1001A25	LOCKWASHER 1/4, ZINC PLT .493 OD, .255 I	4.000 EA
HA6059A05	ADAPTER FOR 8.50" RABBET TO 4.50" RABBET	1.000 EA
84XN5013J16S	1/2-13 X 1 LOW HEAD HEX SOC HD, GRADE 8	4.000 EA
07FH1003A05	FAN HOUSING 307 EXPLOSION PROOF W/ GREAS	1.000 EA
10XN2520A12	O1/4-20X 3/4 HEX HEAD CAP	4.000 EA
07CB1502A01	CONDUIT BOX LID MACH (DUCTILE IRON)	1.000 EA
84XN2520J16	1/4-20 X 1 SOC HD CAP SCREW	4.000 EA
HW1001A25	LOCKWASHER 1/4, ZINC PLT .493 OD, .255 I	4.000 EA
HA2065A02	SLINGER, ALUM MODLE 36 & 37 DRILL RIG MT	1.000 EA
80XN1032A07	SET SCREW, HEX XOCK, ZN	1.000 EA
HW2501D14	KEY, 3/16 SQ X 1.500	1.000 EA
HA7000A01	KEY RETAINER 7/8" DIA SHAFT	1.000 EA
LB1081F	ALUM XP CAUTION LABEL (FS PLANT ONLY-	1.000 EA
LB1115N	LABEL,LIFTING DEVICE (ON ROLLS)	1.000 EA
85XU0407S04	4X1/4 U DRIVE PIN STAINLESS	6.000 EA
MJ1000A02	GREASE, POLYREX EM EXXON (USe 4824-15A)	0.050 LB
51XB1214A20	12-14X1.25 HXWSSLD SERTYB	1.000 EA
MG1025G29	WILKOFASST, 789.229, DARK CHARCOAL GRAY	0.036 GA
LB1119N	WARNING LABEL	1.000 EA
LC0145B01	CONNECTION LABEL	1.000 EA
NP0977XPSLEV	SS XP UL CSA-EEV CC CL-I GP-C&D	1.000 EA
07PA1011	PKG GRP, 07 CAST IRON PK1181	1.000 EA
MN416A01	TAG-INSTAL-MAINT no wire (1200/bx) 5/18	1.000 EA

**AC Induction Motor Performance Data**

Record # 39055 - Typical performance - not guaranteed values

<b>Winding:</b> 07WGX790-R030	<b>Type:</b> 0738M	<b>Enclosure:</b> XPFC
-------------------------------	--------------------	------------------------

Nameplate Data				460 V, 60 Hz: High Voltage Connection	
Rated Output (HP)	7.5//5			Full Load Torque	22.2 LB-FT
Volts	230/460//190/380			Start Configuration	direct on line
Full Load Amps	19/9.5//16/8			Breakdown Torque	70.9 LB-FT
R.P.M.	1770//1470			Pull-up Torque	32.7 LB-FT
Hz	60//50	Phase	3	Locked-rotor Torque	43 LB-FT
NEMA Design Code	A	KVA Code	J	Starting Current	70.8 A
Service Factor (S.F.)	1.15			No-load Current	4.3 A
NEMA Nom. Eff.	91.7	Power Factor	81	Line-line Res. @ 25°C	1.41 Ω
Rating - Duty	55C AMB-CONT			Temp. Rise @ Rated Load	41°C
S.F. Amps				Temp. Rise @ S.F. Load	50°C
				Locked-rotor Power Factor	37.2
				Rotor inertia	0.934 LB-FT <sup>2</sup>

Load Characteristics 460 V, 60 Hz, 7.5 HP

% of Rated Load	25	50	75	100	125	150	S.F.
Power Factor	42	64	75	80	83	84	82
Efficiency	87.5	91.6	92.5	92	91.1	90.1	91.5
Speed	1793	1786	1778	1770	1760	1750	1764
Line amperes	4.83	6.02	7.6	9.5	11.6	13.9	10.7

Performance Graph at 460V, 60Hz, 7.5HP Typical performance - Not guaranteed values

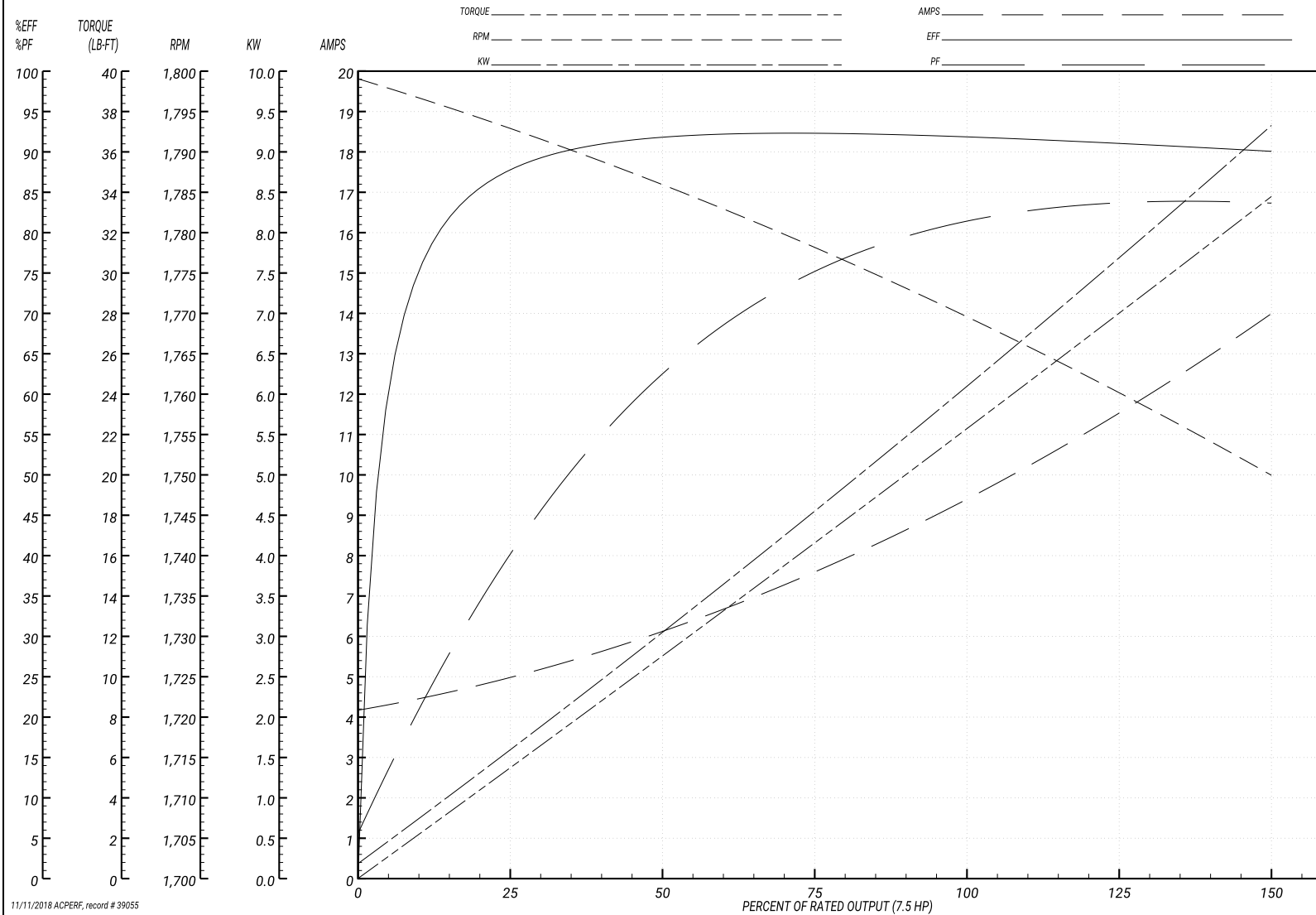
**BALDOR ELECTRIC COMPANY**

WINDING # 07WGX790

Typical performance - not guaranteed values.

7.5 HP 3 PH 60 HZ 1770 RPM 460 V 0738M

TORQUES(LB-FT): PO=70.9 PU=32.7 LR=43 LRA=70.8



11/11/2018 ACPERF, record # 39055



**AC Induction Motor Performance Data**

Record # 39056 - Typical performance - not guaranteed values

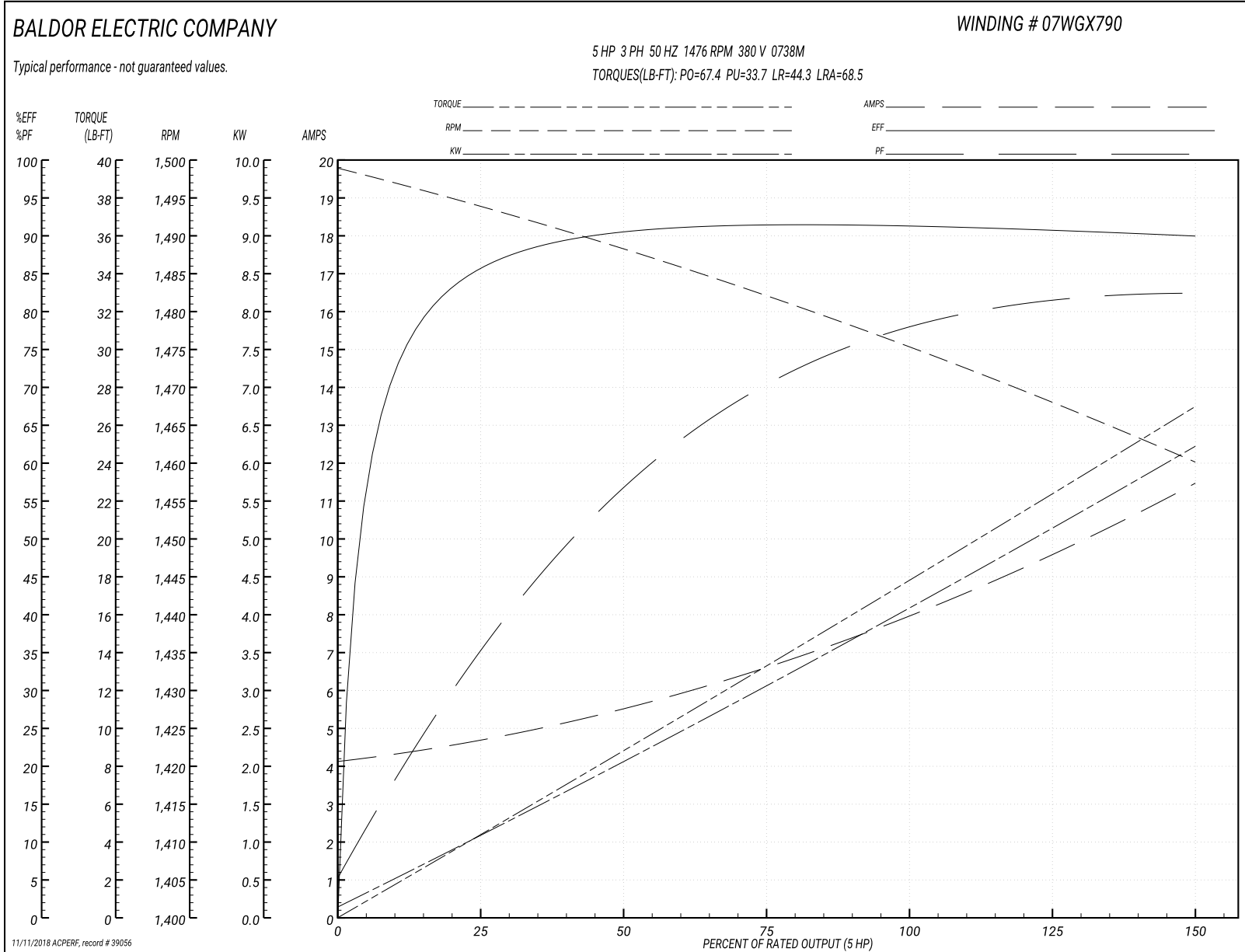
<b>Winding:</b> 07WGX790-R030	<b>Type:</b> 0738M	<b>Enclosure:</b> XPFC
-------------------------------	--------------------	------------------------

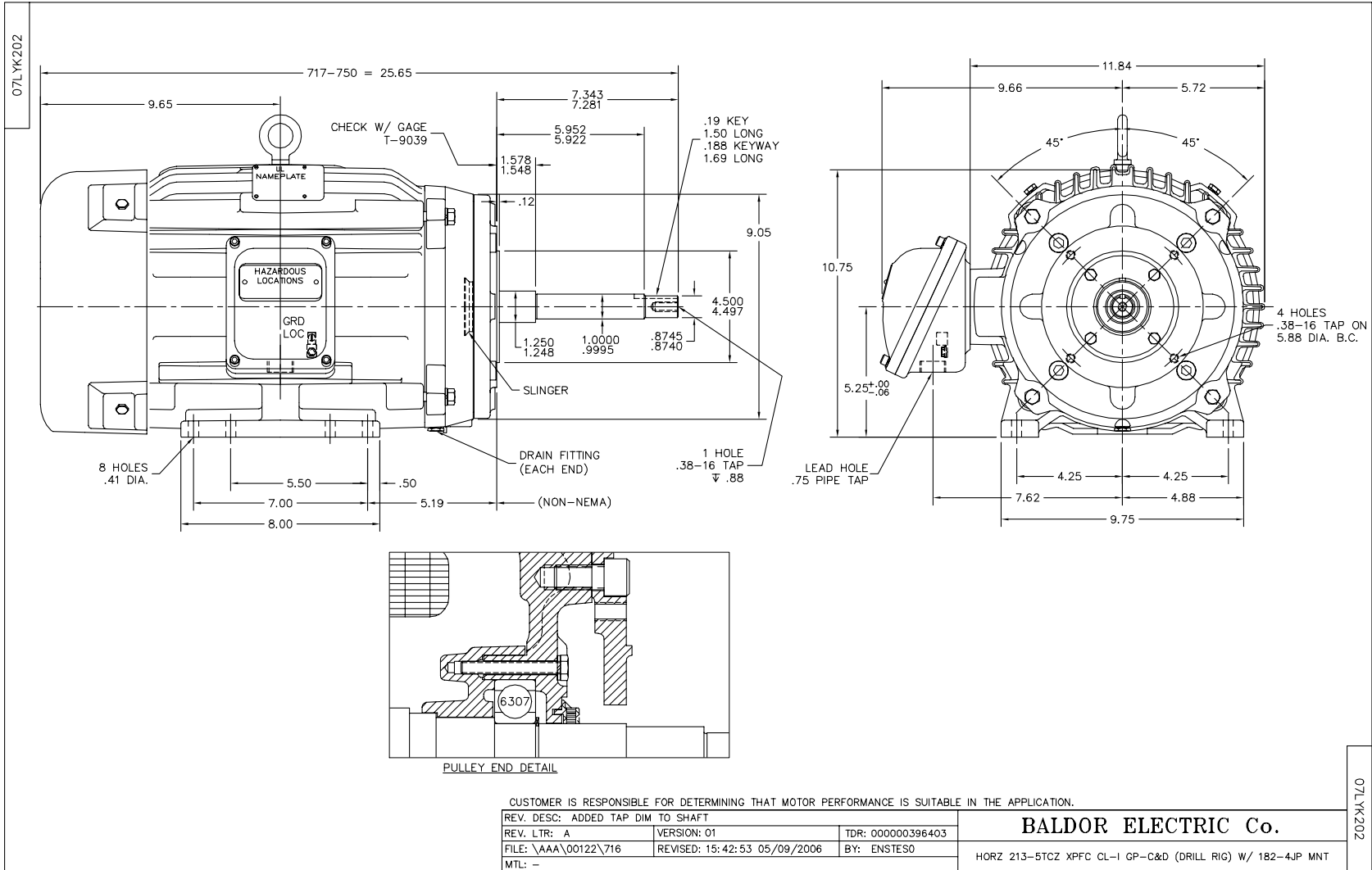
Nameplate Data				380 V, 50 Hz: High Voltage Connection	
Rated Output (HP)	7.5//5			Full Load Torque	17.7 LB-FT
Volts	230/460//190/380			Start Configuration	direct on line
Full Load Amps	19/9.5//16/8			Breakdown Torque	67.4 LB-FT
R.P.M.	1770//1470			Pull-up Torque	33.7 LB-FT
Hz	60//50	Phase	3	Locked-rotor Torque	44.3 LB-FT
NEMA Design Code	A	KVA Code	J	Starting Current	68.5 A
Service Factor (S.F.)	1.15			No-load Current	4.22 A
NEMA Nom. Eff.	91.7	Power Factor	81	Line-line Res. @ 25°C	1.41 Ω
Rating - Duty	55C AMB-CONT			Temp. Rise @ Rated Load	32°C
S.F. Amps				Temp. Rise @ S.F. Load	38°C
				Locked-rotor Power Factor	41.5
				Rotor inertia	0.934 LB-FT <sup>2</sup>

Load Characteristics 380 V, 50 Hz, 5 HP

% of Rated Load	25	50	75	100	125	150	S.F.
Power Factor	36	58	70	77	81	83	79
Efficiency	85.5	90.6	91.4	91.3	90.9	90	91
Speed	1494	1488	1482	1476	1468	1460	1471
Line amperes	4.58	5.44	6.59	8.03	9.65	11.4	8.98

Performance Graph at 380V, 50Hz, 5.0HP Typical performance - Not guaranteed values

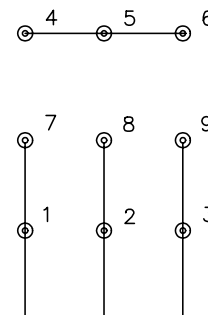




CD0005

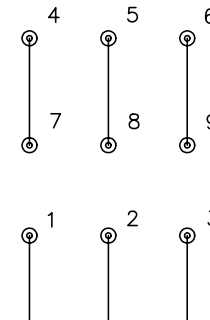


LOW VOLTAGE  
(2Y)



LINE

HIGH VOLTAGE  
(1Y)



LINE

NOTES:

1. INTERCHANGE ANY TWO LINE LEADS TO REVERSE ROTATION.
2. OPTIONAL THERMOSTATS ARE PROVIDED WHEN SPECIFIED.
3. ACTUAL NUMBER OF INTERNAL PARALLEL CIRCUITS MAY BE A MULTIPLE OF THOSE SHOWN ABOVE.
4. LEAD COLORS ARE OPTIONAL. LEADS MUST ALWAYS BE NUMBERED AS SHOWN.

REV. DESC: REVISE TO SHOW OPTIONAL COLORS

REV. LTR: E BY: JLP

REVISED: 01/19/99 10:15

TDR: 0171435

900000

FILE: AAA00005140

MDL: -

MTL: -

**BALDOR ELECTRIC Co.**

3PH, DV, 9 LEADS

CD0005