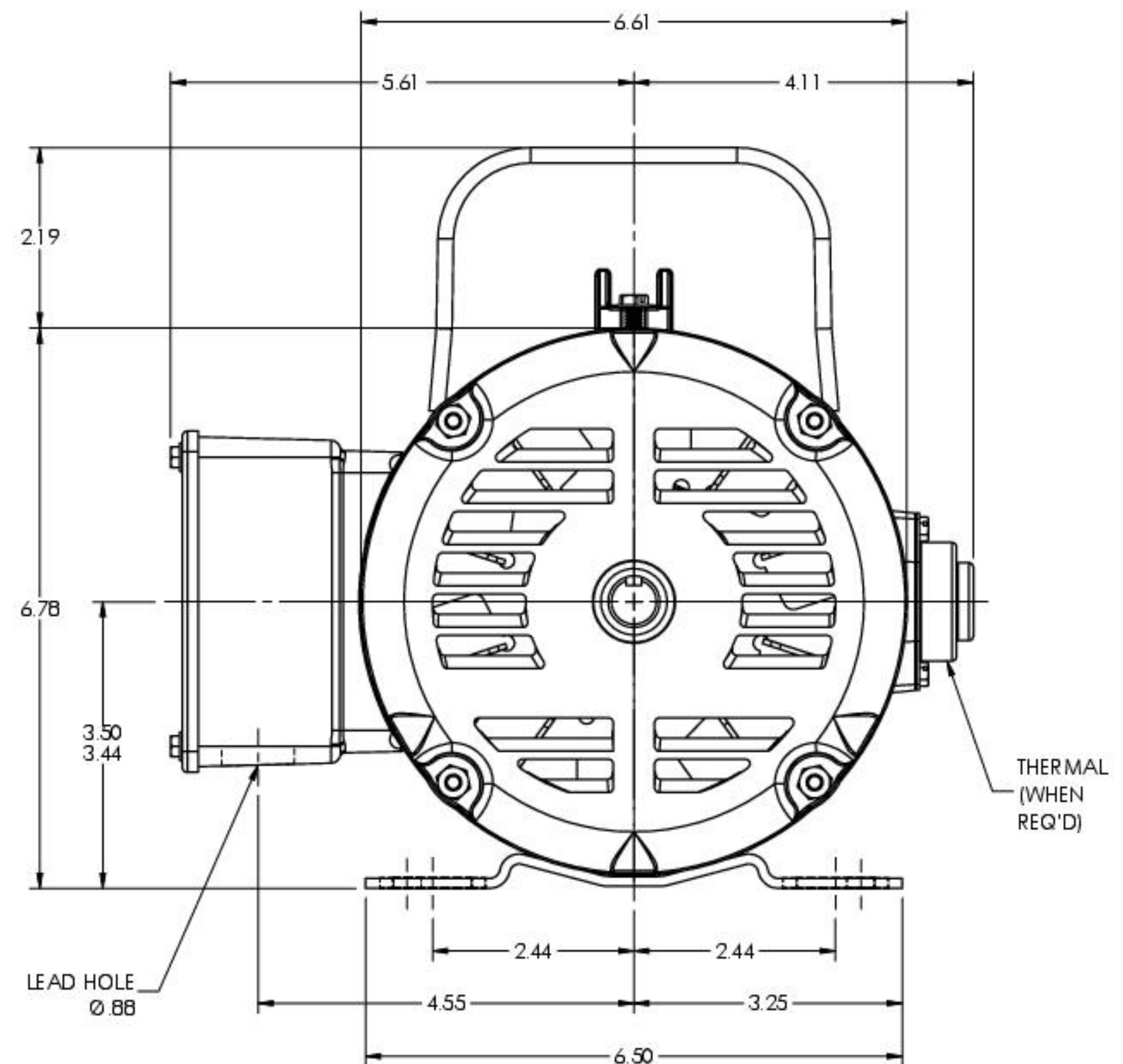
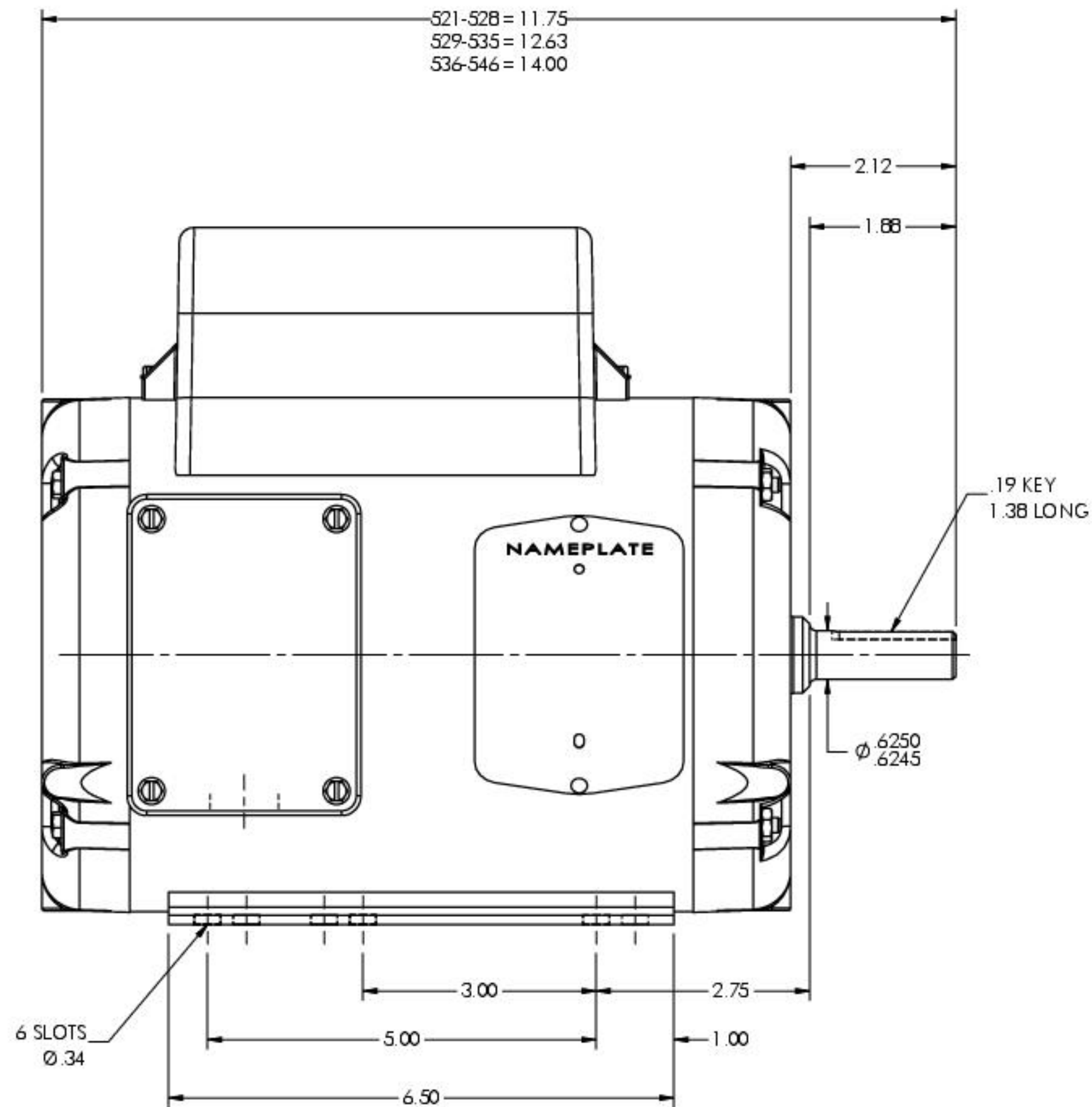


35LYE007



CUSTOMER IS RESPONSIBLE FOR DETERMINING THAT THE PRODUCT WILL PERFORM SUITABLY IN THE INTENDED APPLICATION

REV. DESC: ADD THERMAL DIMS AND THERMAL WHEN REQUIRED NOTE			
REV: R	VERSION: 06	REVISED: 12:43:08 03/13/2023	TDR: 00000120 5626
MODEL NO. 35LYE007		REF: -	
BY: USBUFRA		B	

BALDOR - RELIANCE®

STD HORZ 56/56H OPEN 35LC

SH 1 OF 1

35LYE007