

BALDOR® • RELIANCE 

Product Information Packet

EL1405T

2HP,1740RPM,1PH,60HZ,182T,3623LC,OPSB,F1

Part Detail							
Revision:	AJ	Status:	PRD/A	Change #:		Proprietary:	No
Type:	AC	Elec. Spec:	36WGY526	CD Diagram:	CD0055	Mfg Plant:	
Mech. Spec:	36G967	Layout:	36LYG967	Poles:	04	Created Date:	
Base:	RG	Eff. Date:	04-07-2016	Leads:	6#16		

Specs			
Catalog Number:	EL1405T	Insulation Class:	F
Enclosure:	OPSB	Inverter Code:	Not Inverter
Frame:	182T	KVA Code:	J
Frame Material:	Steel	Lifting Lugs:	No Lifting Lugs
Output @ Frequency:	2.000 HP @ 60 HZ	Locked Bearing Indicator:	No Locked Bearing
Synchronous Speed @ Frequency:	1800 RPM @ 60 HZ	Motor Lead Quantity/Wire Size:	6 @ 16 AWG
Voltage @ Frequency:	230.0 V @ 60 HZ	Motor Lead Exit:	Ko Box
	115.0 V @ 60 HZ	Motor Lead Termination:	Flying Leads
XP Class and Group:	None	Motor Type:	3623LC
XP Division:	Not Applicable	Mounting Arrangement:	F1
Agency Approvals:	CSA	Power Factor:	90
	CSA EEV	Product Family:	General Purpose
	UR	Pulley End Bearing Type:	Ball
Auxillary Box:	No Auxillary Box	Pulley Face Code:	Standard
Auxillary Box Lead Termination:	None	Pulley Shaft Indicator:	Standard
Base Indicator:	Rigid	Rodent Screen:	None
Bearing Grease Type:	Polyrex EM (-20F +300F)	Shaft Extension Location:	Pulley End
Blower:	None	Shaft Ground Indicator:	No Shaft Grounding

Current @ Voltage:	17.600 A @ 115.0 V	Shaft Rotation:	Reversible
	8.800 A @ 230.0 V	Shaft Slinger Indicator:	No Slinger
Design Code:	L	Speed Code:	Single Speed
Drip Cover:	No Drip Cover	Motor Standards:	NEMA
Duty Rating:	CONT	Starting Method:	Direct on line
Electrically Isolated Bearing:	Not Electrically Isolated	Thermal Device - Bearing:	NONE (OLD)
Feedback Device:	NO FEEDBACK	Thermal Device - Winding:	None
Front Face Code:	Standard	Vibration Sensor Indicator:	No Vibration Sensor
Front Shaft Indicator:	None	Winding Thermal 1:	None
Heater Indicator:	No Heater	Winding Thermal 2:	None

Nameplate NP2116L	
CAT.NO.	EL1405T
SPEC.	36G967Y526G1
HP	2
VOLTS	115/230
AMP	17.6/8.8
RPM	1740
FRAME	182T
SER.F.	1.15
NEMA-NOM-EFF	82.5
RATING	40C AMB-CONT
CC	
DE	6206
ENCL	OPSB
SFA	20.4/10.2
CODE	J
DES	L
CL	F
PF	90
HZ	60
PH	1
ODE	6205
SN	
USABLE AT 208V	

Parts List		
Part Number	Description	Quantity
SA036067	SA 36G967Y526G1	1.000 EA
RA032094	RA 36G967Y526G1	1.000 EA
36CB3004	36 CB CASTING W/1.09 DIA LEAD HOLE @ 6:0	1.000 EA
36GS1000SP	GASKET-CONDUIT BOX, .06 THICK #SV-330 LE	1.000 EA
51XB1016A08	10-16X 1/2HXWSSLD SERTYB	2.000 EA
11XW1032G06	10-32 X .38, TAPTITE II, HEX WSHR SLTD U	1.000 EA
HW3001B01	BRASS CUP WASHER, FOR #10 SCREW	1.000 EA
36EP3200A01	FR ENDPLATE, ASSEMBLY FOR ROUTING	1.000 EA
HW4500A01	1641B(ALEMITE)400 UNIV, GREASE FITT	1.000 EA
SP1008A01	BAFFLE, MODEL 36 & 37	1.000 EA
13XF0832A08	8-32 X.50 PAN HD,SLTD, TYPE F SCREW, ZIN	2.000 EA
10XN2520A12	O1/4-20X 3/4 HEX HEAD CAP	2.000 EA
HW5100A05	WVY WSHR F/205 & 304 BRGS	1.000 EA
36EP3100A01SP	PUEP ASSEMBLY FOR ROUTING PURPOSES	1.000 EA
HW4500A01	1641B(ALEMITE)400 UNIV, GREASE FITT	1.000 EA
HA3101A33	HRUBOLT- 1/4-20 X 12.00 X	4.000 EA
XY2520A12	1/4-20 HEX NUT, DIRECTIONAL SERRATIONS	4.000 EA
36CB4516	36 LIPPED CB LID - GALVANNEAL	1.000 EA
37GS1001SP	GASKET, CONDUIT BOX LID, .06 THICK LEXID	1.000 EA
51XW0832A07	8-32 X .44, TAPTITE II, HEX WSHR SLTD SE	4.000 EA
HW2501E16	KEY, 1/4 SQ X 1.750	1.000 EA
HA7000A02	KEY RETAINER RING, 1 1/8 DIA, 1 3/8 DIA	1.000 EA
85XU0407S04	4X1/4 U DRIVE PIN STAINLESS	2.000 EA
HA6362ZP	LIFTING LUG FOR 36 FRAME MOTORS.	2.000 EA

Parts List (continued)		
Part Number	Description	Quantity
36CB5009A01	CAP BOX KIT,36CB3800,EC1645A06(1)	1.000 EA
MJ1000A02	GREASE, POLYREX EM EXXON (USe 4824-15A)	0.050 LB
LB1115N	LABEL,LIFTING DEVICE (ON ROLLS)	1.000 EA
MG1000Y03	MUNSELL 2.53Y 6.70/ 4.60, GLOSS 20,	0.022 GA
SP5172A05	37 TYPE LC TORQ STAT SW LEAD ASSEMBLY	1.000 EA
LC0001A01	CONN LABEL / WARNING LABEL (LC0001 / LB1	1.000 EA
NP2116L	ALUM SUPER-E UL CSA CC	1.000 EA
36PA1000	PKG GRP, PRINT PK1016A06	1.000 EA
MN416A01	TAG-INSTAL-MAINT no wire (1200/bx) 5/18	1.000 EA

Accessories		
Part Number	Description	Multiplier
36-3403	C FACE KIT	A8
36EP1405A09SP	D-FLANGE KIT	A8

AC Induction Motor Performance Data

Record # 11390 - Typical performance - not guaranteed values

Winding: 36WGY526-R001	Type: 3623LC	Enclosure: OPSB
-------------------------------	---------------------	------------------------

Nameplate Data				230 V, 60 Hz: High Voltage Connection	
Rated Output (HP)	2			Full Load Torque	6.1 LB-FT
Volts	115/230			Start Configuration	direct on line
Full Load Amps	17.6/8.8			Breakdown Torque	13.2 LB-FT
R.P.M.	1740			Pull-up Torque	9.2 LB-FT
Hz	60	Phase	1	Locked-rotor Torque	14.7 LB-FT
NEMA Design Code	L	KVA Code	J	Starting Current	62.4 A
Service Factor (S.F.)	1.15			No-load Current	3.5 A
NEMA Nom. Eff.	82.5	Power Factor	90	Line-line Res. @ 25°C	1.27 Ω A Ph 0.65 Ω B Ph
Rating - Duty	40C AMB-CONT			Temp. Rise @ Rated Load	48°C
S.F. Amps	20.4/10.2			Temp. Rise @ S.F. Load	62°C

Load Characteristics 230 V, 60 Hz, 2 HP

% of Rated Load	25	50	75	100	125	150	S.F.
Power Factor	72	85	90	92	92	91	92
Efficiency	70.9	81.6	83.9	82.6	79.6	74.3	80.8
Speed	1787	1773	1758	1742	1722	1688	1730
Line amperes	3.46	4.83	6.61	8.6	11.08	17.38	10.1

Performance Graph at 230V, 60Hz, 2.0HP Typical performance - Not guaranteed values

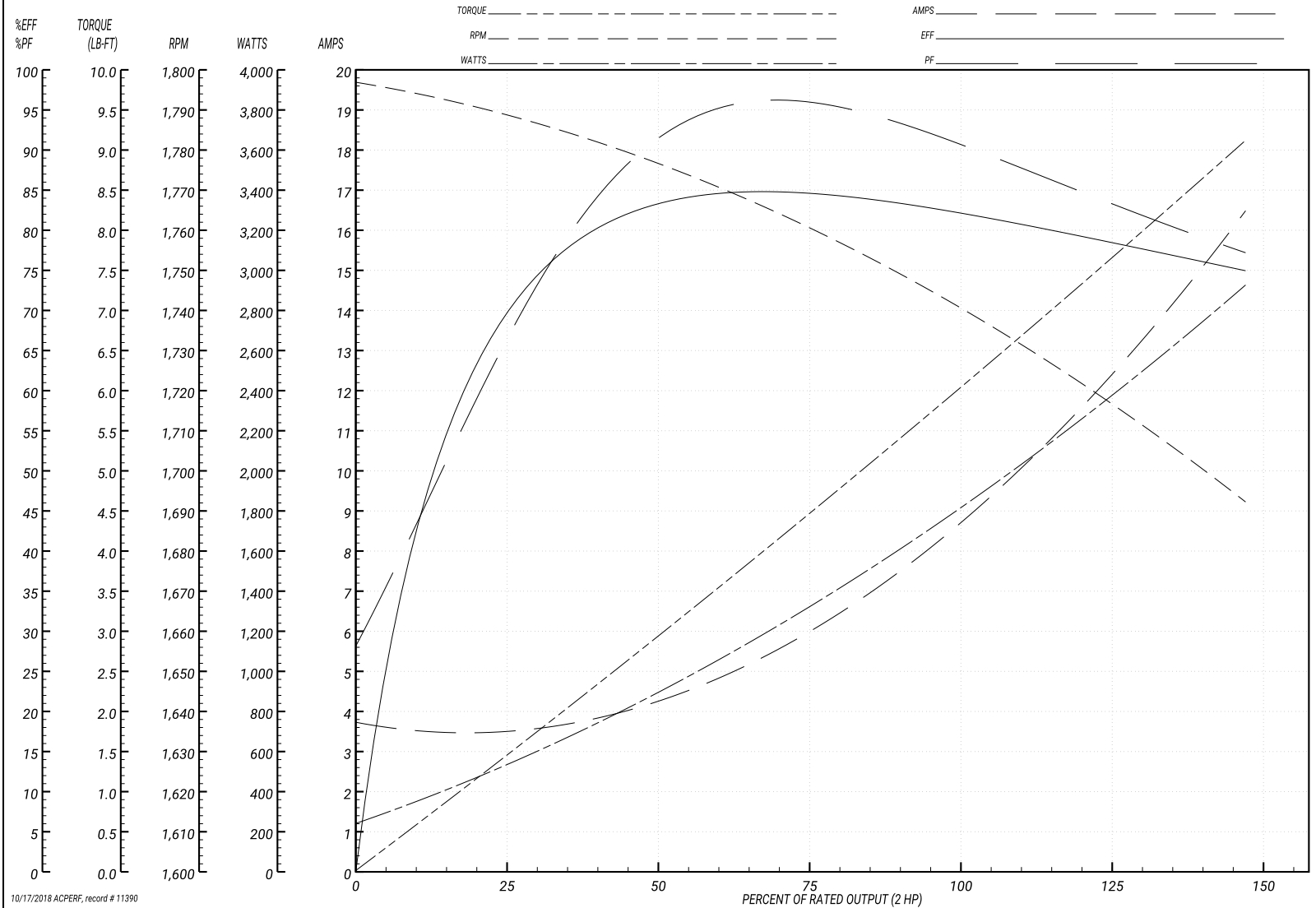
BALDOR ELECTRIC COMPANY

WINDING # 36WGY526

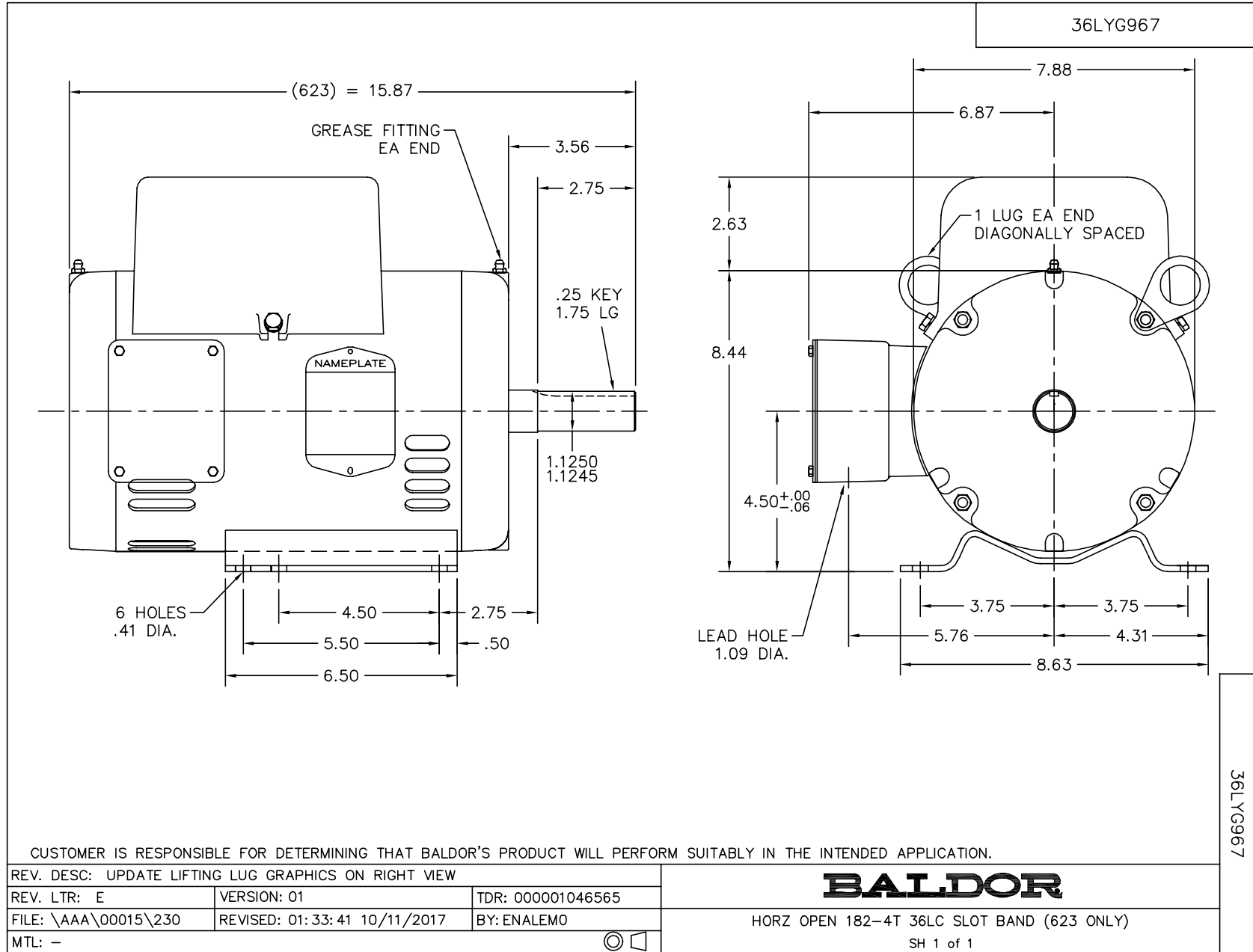
Typical performance - not guaranteed values.

2 HP 1 PH 60 HZ 1740 RPM 230 V 3623LC

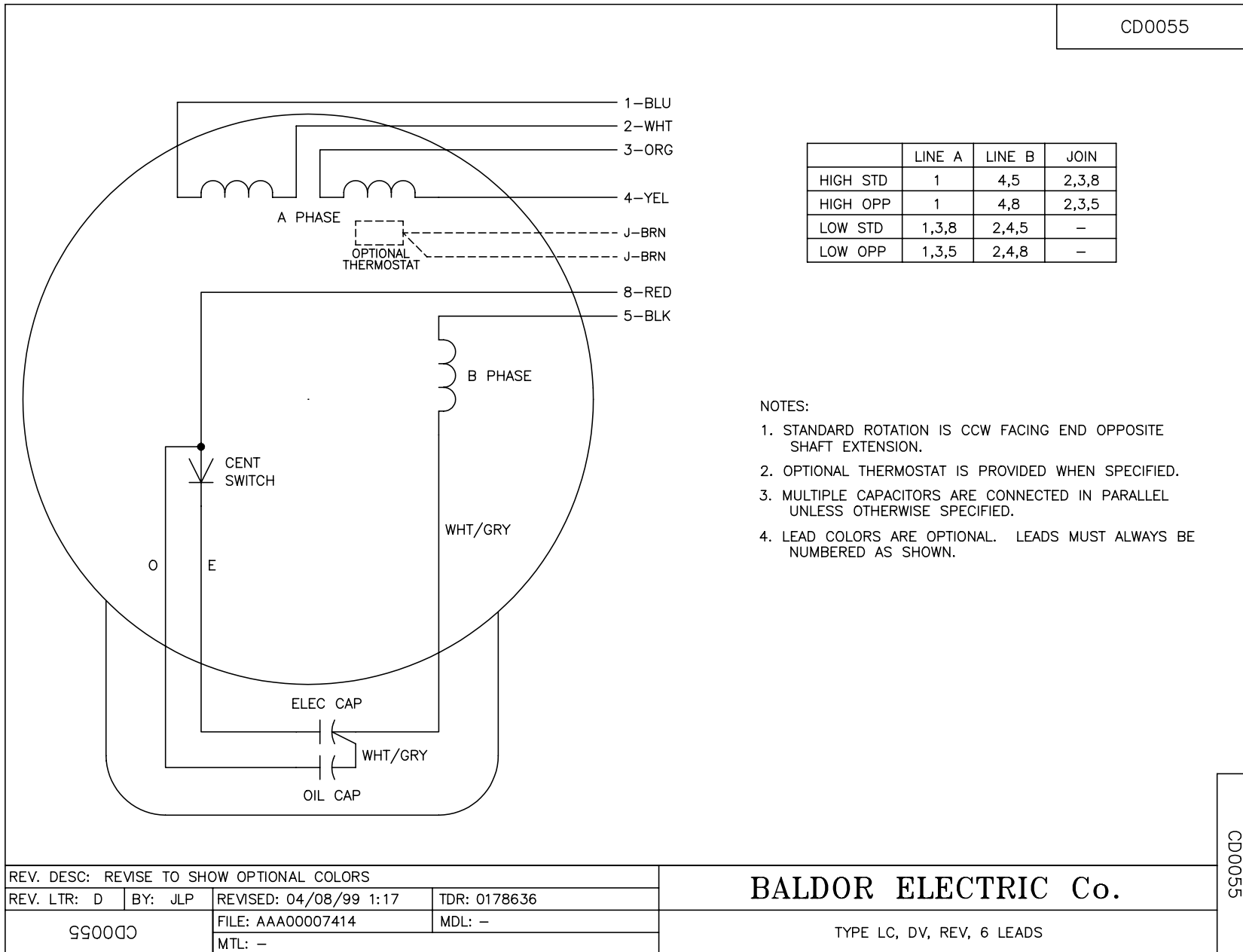
TORQUES(LB-FT): PO=13.2 PU=9.2 LR=14.7 LRA=62.4



10/17/2018 ACPERF, record # 11390



CD0055



NOTES:

1. STANDARD ROTATION IS CCW FACING END OPPOSITE SHAFT EXTENSION.
2. OPTIONAL THERMOSTAT IS PROVIDED WHEN SPECIFIED.
3. MULTIPLE CAPACITORS ARE CONNECTED IN PARALLEL UNLESS OTHERWISE SPECIFIED.
4. LEAD COLORS ARE OPTIONAL. LEADS MUST ALWAYS BE NUMBERED AS SHOWN.

REV. DESC: REVISE TO SHOW OPTIONAL COLORS			
REV. LTR: D	BY: JLP	REVISED: 04/08/99 1:17	TDR: 0178636
99000		FILE: AAA00007414	MDL: -
CD0055		MTL: -	

BALDOR ELECTRIC Co.

TYPE LC, DV, REV, 6 LEADS

CD0055