

BALDOR • RELIANCE

Customer information packet

EL3514

1.5HP, 1725RPM, 1PH, 60HZ, 56H, 3532LC, TEFC, F

Class - None

Division - Not Applicable

Specifications

Enclosure	TEFC
Frame	56H
Frame Material	Steel
Frequency	60.00 Hz
Haz Area Class and Group	None
Haz Area Division	Not Applicable
Motor Letter Type	Cap Start, Cap Run
Output @ Frequency	1.500 HP @ 60 HZ
Phase	1
Synchronous Speed @ Frequency	1800 RPM @ 60 HZ
Voltage @ Frequency	115.0 V @ 60 HZ 230.0 V @ 60 HZ
Agency Approvals	CSA UR
Ambient Temperature	40 °C
Auxillary Box	No Auxillary Box
Auxillary Box Lead Termination	None
Base Indicator	Rigid
Bearing Grease Type	Polyrex EM (-20F +300F)
Blower	None
Current @ Voltage	6.100 A @ 230.0 V 12.200 A @ 115.0 V
Design Code	L
Drip Cover	No Drip Cover
Duty Rating	CONT
Efficiency @ 100% Load	80.0 %
Electrically Isolated Bearing	Not Electrically Isolated
Feedback Device	NO FEEDBACK
Front Shaft Indicator	None
Heater Indicator	No Heater
High Voltage Full Load Amps	6.1 a
Insulation Class	F

Part detail

Revision	H
Type	AC
Mech. spec.	35J385
Base	
Status	PRD/A
Elec. spec.	35WGG242
Layout	35LYJ385
Eff. date	01-27-2025
CD Diagram	CD0055
Poles	04
Leads	6#18
Proprietary	False
Created date	08-01-2022

Inverter Code	Not Inverter
KVA Code	H
Lifting Lugs	No Lifting Lugs
Locked Bearing Indicator	No Locked Bearing
Motor Lead Quantity/Wire Size	7 @ 18 AWG
Motor Lead Termination	Flying Leads
Motor Standards	NEMA
Motor Type	3532LC
Mounting Arrangement	F1
Number of Poles	4
Overall Length	13.79 IN
Power Factor	98
Product Family	General Purpose
Pulley End Bearing Type	Ball
Pulley Face Code	Standard
Pulley Shaft Indicator	Standard
Rodent Screen	None
Service Factor	1.15
Shaft Diameter	0.625 IN
Shaft Ground Indicator	No Shaft Grounding
Shaft Rotation	Reversible
Shaft Slinger Indicator	No Slinger
Speed	1725 rpm
Speed Code	Single Speed
Starting Method	Direct on line
Thermal Device - Bearing	None
Thermal Device - Winding	None
Vibration Sensor Indicator	No Vibration Sensor
Winding Thermal 1	None
Winding Thermal 2	None

Nameplate

NP2116L									
CAT.NO.	EL3514								
SPEC.	35J385G242G2								
HP	1.5								
VOLTS	115/230								
AMP	12.2/6.1								
RPM	1725								
FRAME	56H			HZ	60		PH	1	
SER.F.	1.15	CODE	H	DES	L	CL	F		
NEMA-NOM-EFF	80	PF	98						
RATING	40C AMB-CONT								
CC									
DE	6205	ODE	6203						
ENCL	TEFC	SN							
	SFA 14.4/7.2								

Accessories

Part number	Description	Multiplier
35-8762	C FACE KIT	A8
35EP1506A01SP	D-FLANGE KIT	A8

AC Induction Motor Performance Data

Record # 105134

Typical performance - not guaranteed values

Winding: 35WGG242-R001		Type: 3532LC		Enclosure: TEFC	
Nameplate Data			115 V, 60 Hz: Low Voltage Connection		
Rated Output (HP)	1.5	Full Load Torque	4.57 LB-FT		
Volts	115/230	Start Configuration	direct on line		
Full Load Amps	12.2/6.1	Breakdown Torque	9.9 LB-FT		
R.P.M.	1725	Pull-up Torque	8.1 LB-FT		
Hz	60	Phase	1	Locked-rotor Torque	13 LB-FT
NEMA Design Code	L	KVA Code	H	Starting Current	88 A
Service Factor (S.F.)	1.15	No-load Current	1.68 A		
NEMA Nom. Eff.	80	Power Factor	98	Line-line Res. @ 25°C	0.517 Ω A Ph 1.32 Ω B Ph
Rating - Duty	40C AMB-CONT		Temp. Rise @ Rated Load	61°C	
S.F. Amps			Temp. Rise @ S.F. Load	76°C	
			Locked-rotor Power Factor	91.9	
			Rotor inertia	0.232 lb-ft ²	

Load Characteristics 115 V, 60 Hz, 1.5 HP

% of Rated Load	25	50	75	100	125	150	S.F.
Power Factor	94	98	98	98	97	96	97
Efficiency	71.4	82.4	84	82.2	77.7	70.5	79.5
Speed	1782	1765	1746	1723	1690	1642	1703
Line amperes	3.54	6.02	8.84	12.06	16.08	21.4	14.5

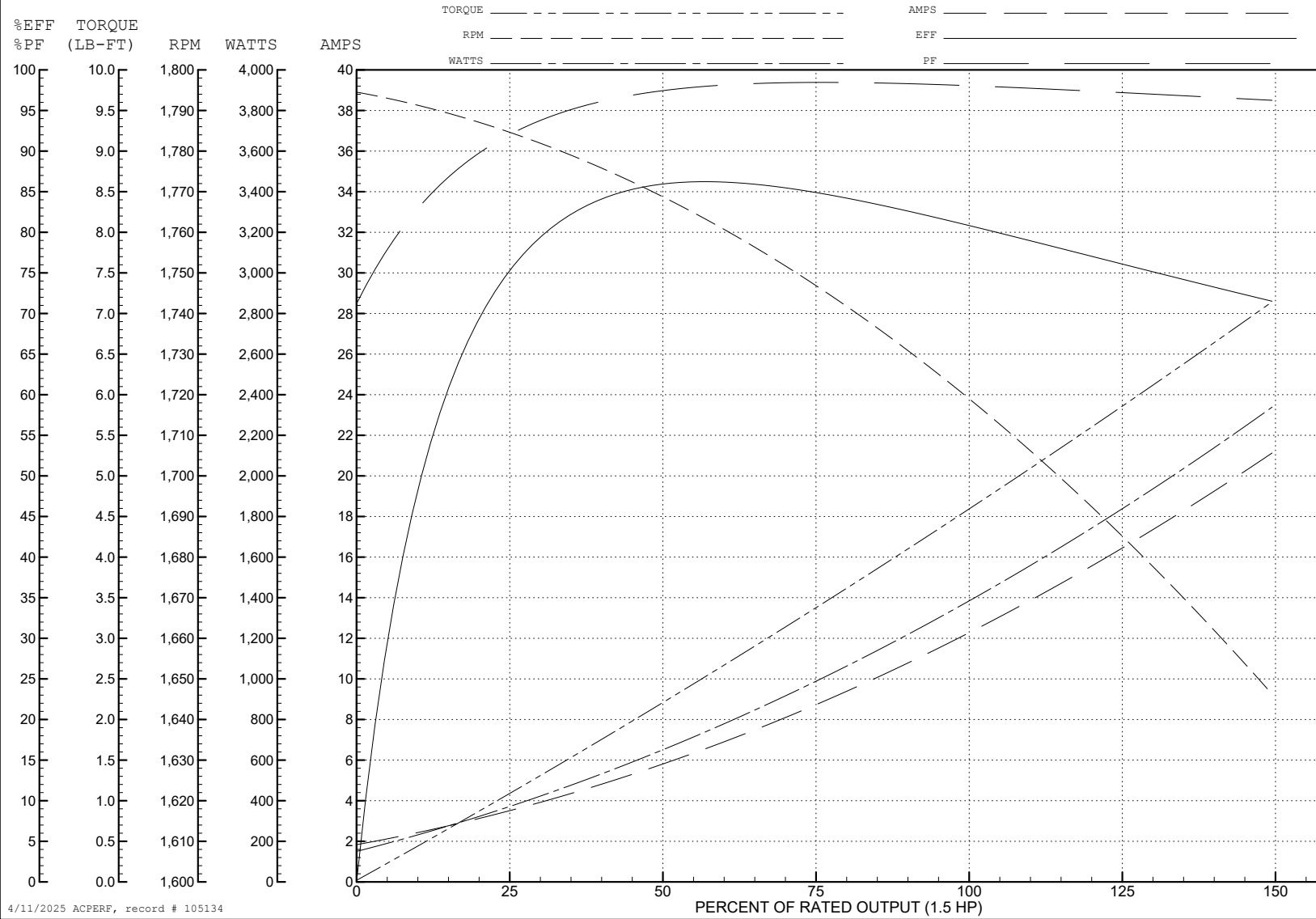
ABB Motors and Mechanical Inc.

WINDING # 35WGG242

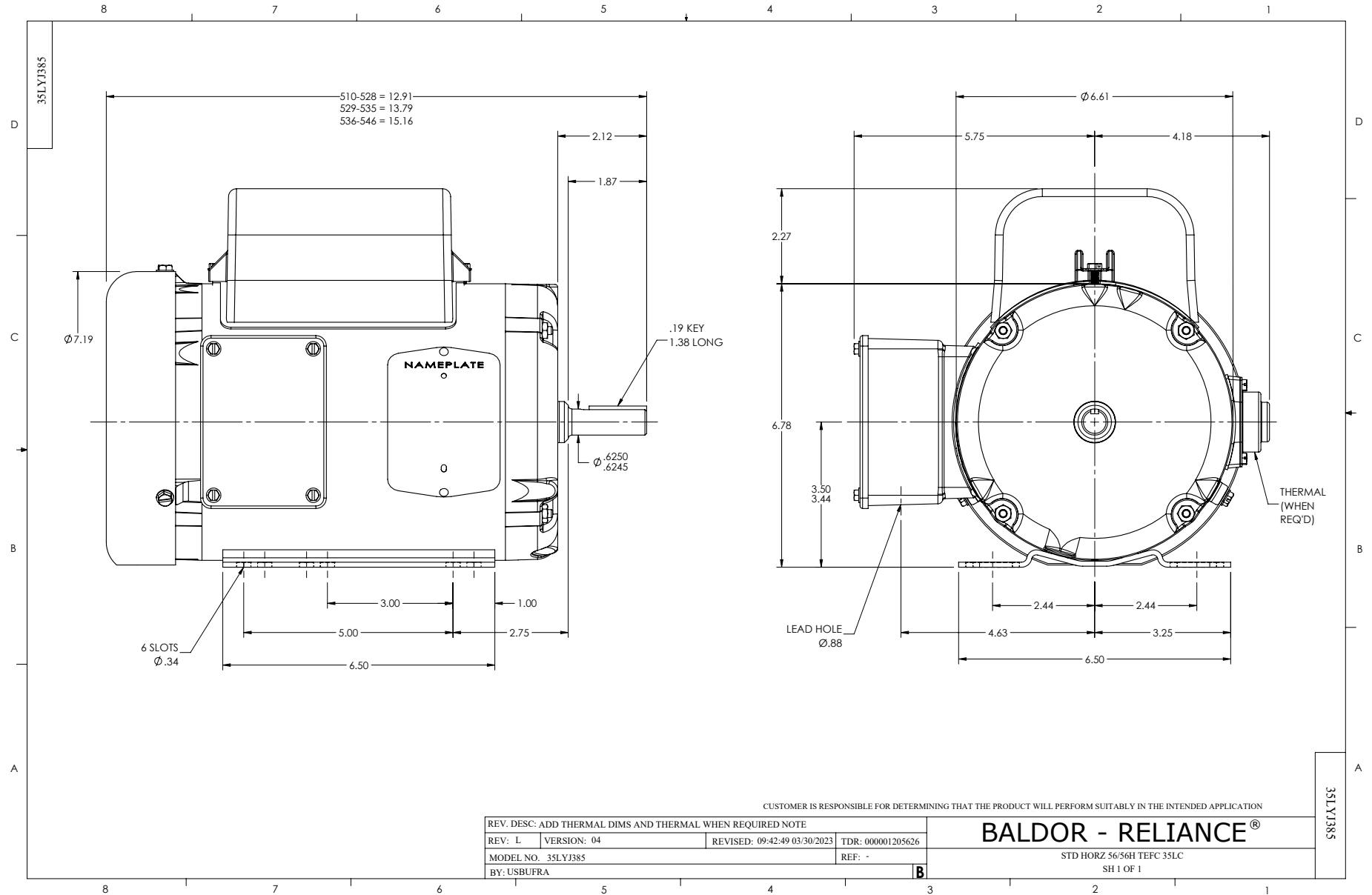
Typical performance - not guaranteed values.

1.5 HP 1 PH 60 HZ 1725 RPM 115 V 3532LC

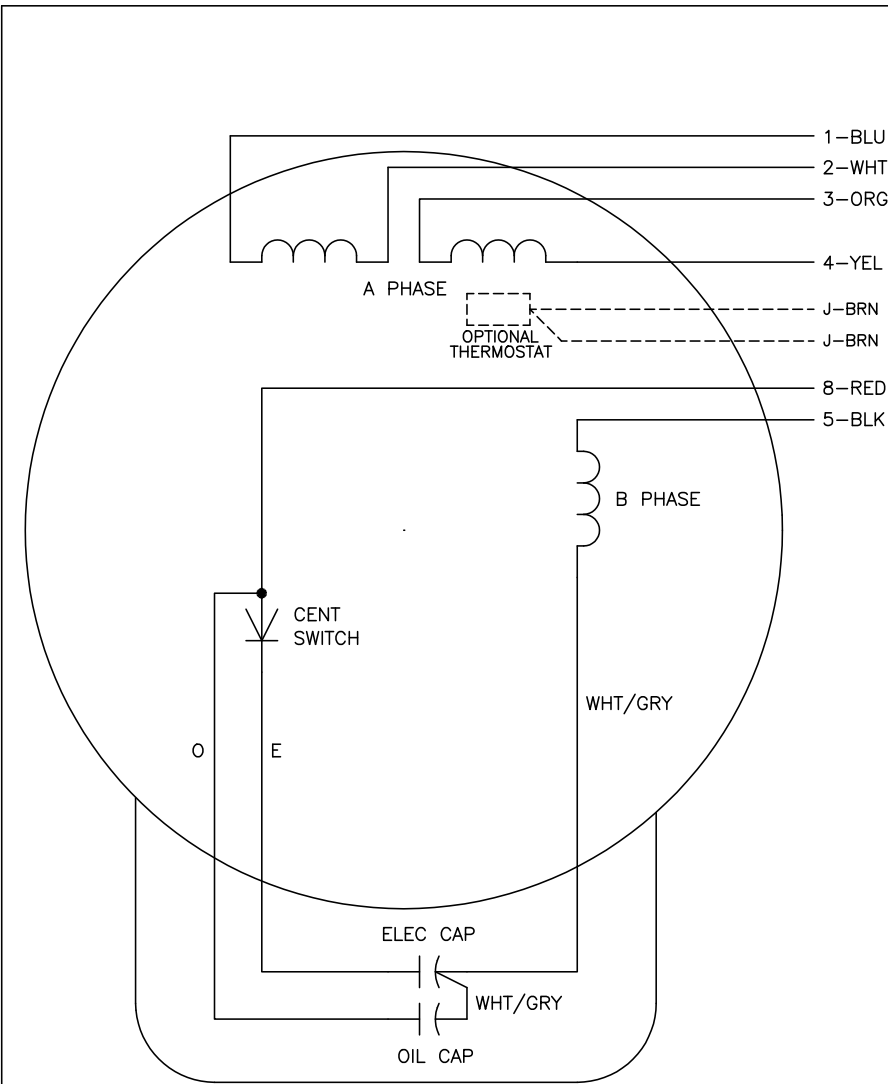
TORQUES (LB-FT): PO=9.9 PU=8.1 LR=13 LRA=88



4/11/2025 ACPERF, record # 105134



CD0055



	LINE A	LINE B	JOIN
HIGH STD	1	4,5	2,3,8
HIGH OPP	1	4,8	2,3,5
LOW STD	1,3,8	2,4,5	-
LOW OPP	1,3,5	2,4,8	-

NOTES:

1. STANDARD ROTATION IS CCW FACING END OPPOSITE SHAFT EXTENSION.
2. OPTIONAL THERMOSTAT IS PROVIDED WHEN SPECIFIED.
3. MULTIPLE CAPACITORS ARE CONNECTED IN PARALLEL UNLESS OTHERWISE SPECIFIED.
4. LEAD COLORS ARE OPTIONAL. LEADS MUST ALWAYS BE NUMBERED AS SHOWN.

REV. DESC: REVISE TO SHOW OPTIONAL COLORS			
REV. LTR: D	BY: JLP	REVISED: 04/08/99 1:17	TDR: 0178636
C00000		FILE: AAA00007414	MDL: -
		MTL: -	

BALDOR ELECTRIC Co.

TYPE LC, DV, REV, 6 LEADS

CD0055