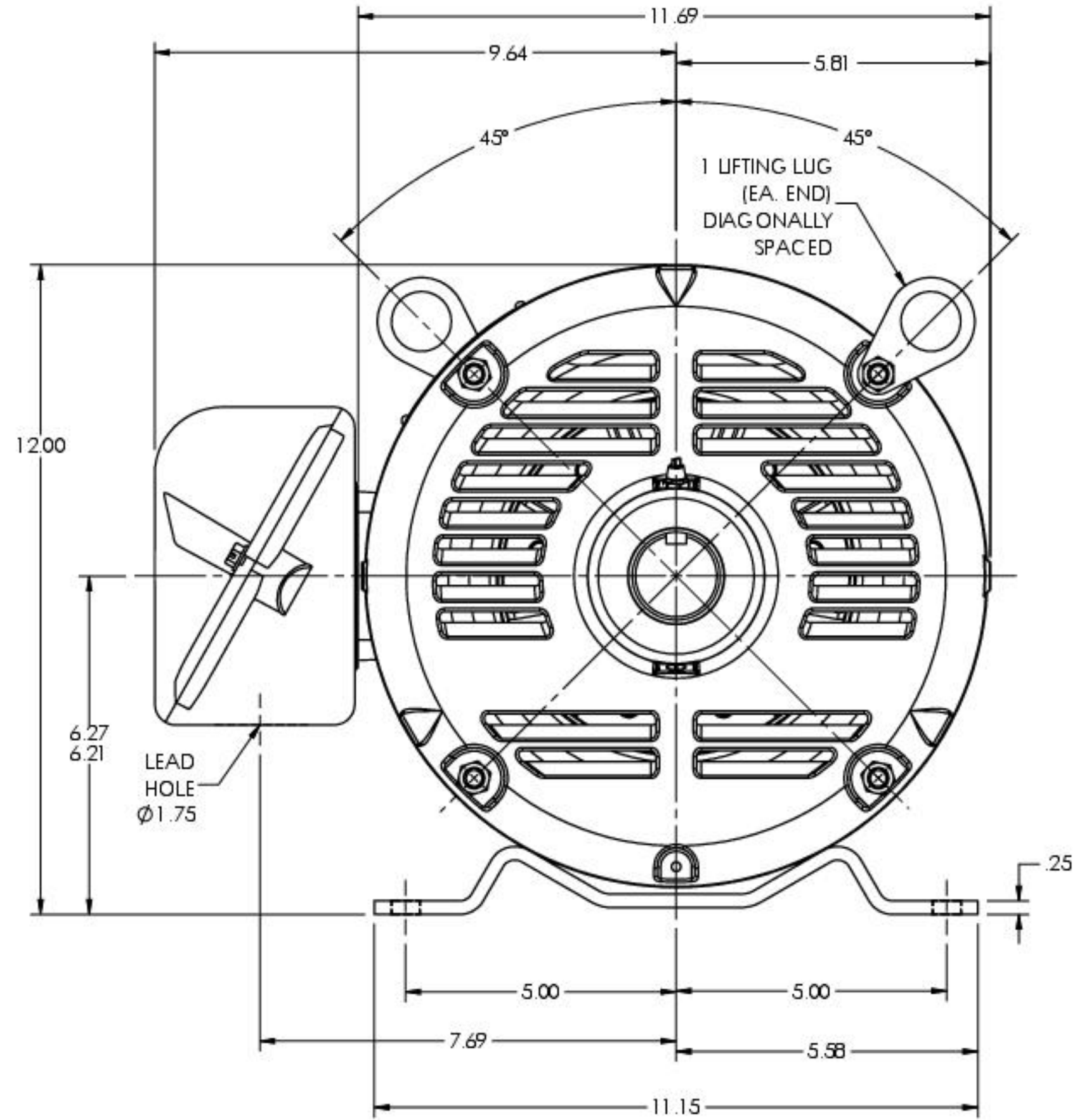
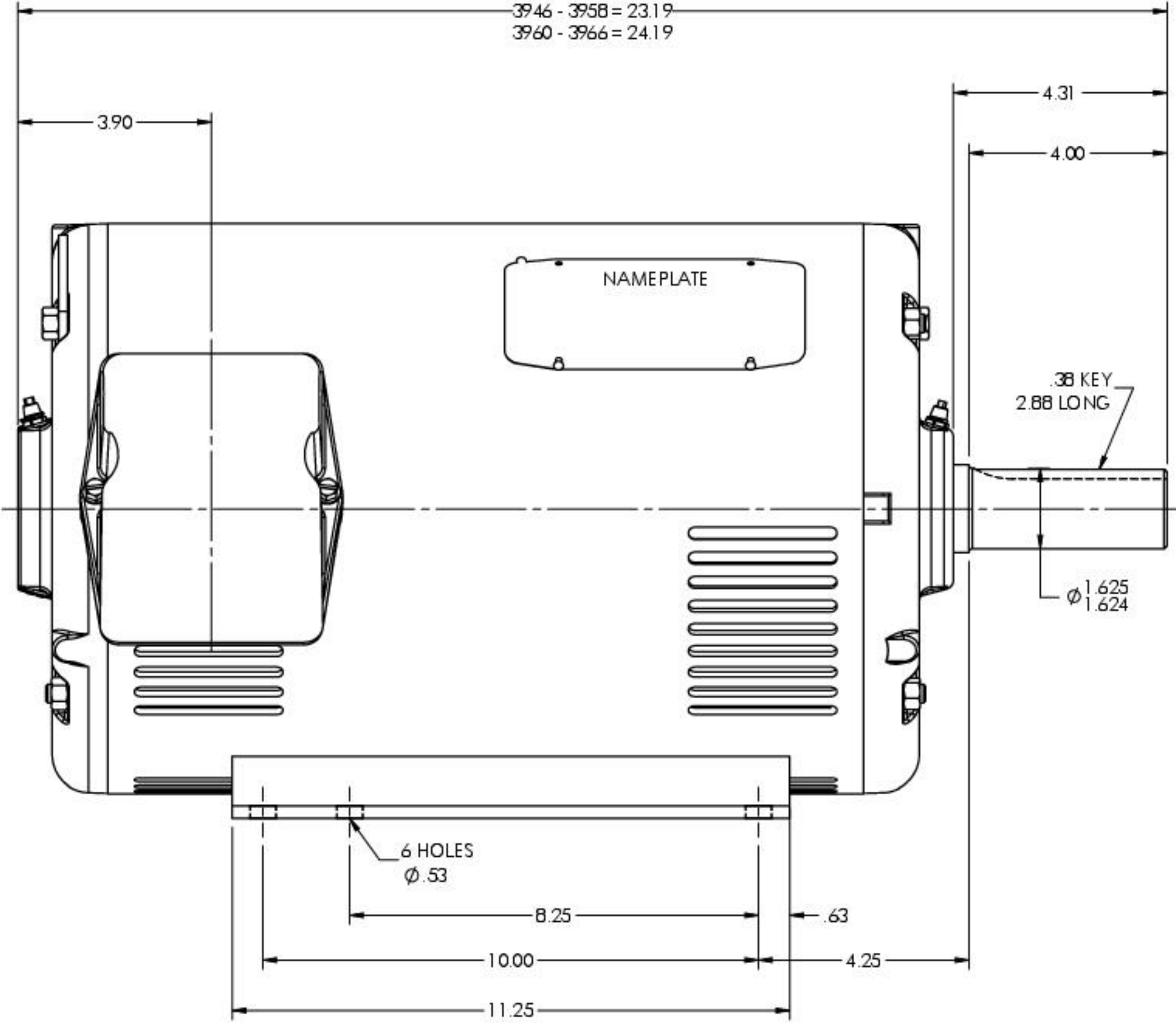


39LYK057

3920 - 3944 = 21.69
3946 - 3958 = 23.19
3960 - 3966 = 24.19



CUSTOMER IS RESPONSIBLE FOR DETERMINING THAT THE PRODUCT WILL PERFORM SUITABLY IN THE INTENDED APPLICATION

REV. DESC: 09CB3003 WAS 09CB3002 (LIFE-CYCLE)			
REV: K	VERSION: 08	REVISED: 01:26:45 05/05/2021	TDR: 000001166924
MODEL NO. 39LYK057			REF: -
BY: USODDIL			B

BALDOR - RELIANCE®

HORZ OPSB 254-6T SUPER-E

39LYK057