

BALDOR® • RELIANCE 

Product Information Packet

EM2511T-G

10HP, 1180RPM, 3PH, 60HZ, 256T, 3954M, OPSB, F1

| Part Detail | | | | | | | |
|-------------|--------|-------------|------------|-------------|--------|---------------|------------|
| Revision: | M | Status: | PRD/A | Change #: | | Proprietary: | No |
| Type: | AC | Elec. Spec: | 39GW950 | CD Diagram: | CD0180 | Mfg Plant: | |
| Mech. Spec: | 39E366 | Layout: | 39LYE366 | Poles: | 06 | Created Date: | 11-29-2011 |
| Base: | RG | Eff. Date: | 09-01-2017 | Leads: | 9#12 | | |

| Specs | | | |
|---------------------------------|-------------------------|--------------------------------|-----------------------|
| Catalog Number: | EM2511T-G | Heater Indicator: | No Heater |
| Enclosure: | OPSB | Insulation Class: | H |
| Frame: | 256T | Inverter Code: | Inverter Ready |
| Frame Material: | Steel | KVA Code: | J |
| Output @ Frequency: | 10.000 HP @ 60 HZ | Lifting Lugs: | Standard Lifting Lugs |
| Synchronous Speed @ Frequency: | 1200 RPM @ 60 HZ | Locked Bearing Indicator: | No Locked Bearing |
| Voltage @ Frequency: | 460.0 V @ 60 HZ | Motor Lead Quantity/Wire Size: | 9 @ 12 AWG |
| | 230.0 V @ 60 HZ | Motor Lead Exit: | Ko Box |
| XP Class and Group: | None | Motor Lead Termination: | Flying Leads |
| XP Division: | Not Applicable | Motor Type: | 3954M |
| Agency Approvals: | UR | Mounting Arrangement: | F1 |
| | CSA EEV | Power Factor: | 71 |
| | CSA | Product Family: | General Purpose |
| Auxillary Box: | No Auxillary Box | Pulley End Bearing Type: | Ball |
| Auxillary Box Lead Termination: | None | Pulley Face Code: | Standard |
| Base Indicator: | Rigid | Pulley Shaft Indicator: | Standard |
| Bearing Grease Type: | Polyrex EM (-20F +300F) | Rodent Screen: | None |
| Blower: | None | Shaft Extension Location: | Pulley End |

| | | | |
|---------------------------------------|---------------------------|------------------------------------|---------------------|
| Current @ Voltage: | 14.300 A @ 460.0 V | Shaft Ground Indicator: | Shaft Grounding |
| | 28.600 A @ 230.0 V | Shaft Rotation: | Reversible |
| | 30.000 A @ 208.0 V | Shaft Slinger Indicator: | No Slinger |
| Design Code: | A | Speed Code: | Single Speed |
| Drip Cover: | No Drip Cover | Motor Standards: | NEMA |
| Duty Rating: | CONT | Starting Method: | Direct on line |
| Electrically Isolated Bearing: | Not Electrically Isolated | Thermal Device - Bearing: | NONE (OLD) |
| Feedback Device: | NO FEEDBACK | Thermal Device - Winding: | None |
| Front Face Code: | Standard | Vibration Sensor Indicator: | No Vibration Sensor |
| Front Shaft Indicator: | None | Winding Thermal 1: | None |
| | | Winding Thermal 2: | None |

| Nameplate NP1259L | | | | | | | | | | |
|-------------------|--------------|--|------|----|----------------|------|--|----|----|---|
| CAT.NO. | EM2511T-G | | | | | | | | | |
| SPEC. | 39E366W950G1 | | | | | | | | | |
| HP | 10 | | | | | | | | | |
| VOLTS | 230/460 | | | | | | | | | |
| AMP | 28.6/14.3 | | | | | | | | | |
| RPM | 1180 | | | | | | | | | |
| FRAME | 256T | | | | HZ | 60 | | | PH | 3 |
| SER.F. | 1.15 | | CODE | J | DES | A | | CL | H | |
| NEMA-NOM-EFF | 91.7 | | PF | 71 | | | | | | |
| RATING | 40C AMB-CONT | | | | | | | | | |
| CC | 010A | | | | USABLE AT 208V | | | 30 | | |
| DE | 6309 | | | | ODE | 6208 | | | | |
| ENCL | OPSB | | SN | | | | | | | |
| | | | | | | | | | | |

| Parts List | | |
|----------------|------------------------------------------|----------|
| Part Number | Description | Quantity |
| SA235024 | SA 39E366W950G1 | 1.000 EA |
| RA221988 | RA 39E366W950G1 | 1.000 EA |
| S/P107-000-005 | SUPER-E PROC'S(254/6 FR.) ZK PLANT - POL | 1.000 EA |
| HA6361A01 | LIFTING LUG FOR 37, 39 & 40 FRAME ZINC | 2.000 EA |
| HA6016 | ADAPTER, CAST CONDUIT BOX | 1.000 EA |
| 09CB3002SP | CB W/1.38 LEAD HOLE FOR 37, 39, 307 & 30 | 1.000 EA |
| 51XW2520A12 | .25-20 X .75, TAPTITE II, HEX WSHR SLTD | 2.000 EA |
| HW1001A25 | LOCKWASHER 1/4, ZINC PLT .493 OD, .255 I | 2.000 EA |
| WD1000B16 | T&B CX70TN TERMINAL | 1.000 EA |
| 59XW2520G07 | .25-20X.44,HEX SER WSHR,TAPTITE 2,GREEN | 1.000 EA |
| 39EP3200A01SP | FR/PU ENDPLATE, MACH | 1.000 EA |
| HW5100A08 | W3118-035 WVY WSHR (WB) | 1.000 EA |
| 39EP3201A22 | PU ENDPLATE, MACH | 1.000 EA |
| XY3816A12 | 3/8-16 FINISHED NUT | 8.000 EA |
| 10XN2520K28 | 1/4-20 X 1.75" HX HD SCRWGRADE 5, ZINC P | 4.000 EA |
| HW1001A25 | LOCKWASHER 1/4, ZINC PLT .493 OD, .255 I | 4.000 EA |
| 09CB3501SP | CONDUIT BOX LID FOR 09CB3001 & 09CB3002 | 1.000 EA |
| 51XW2520A12 | .25-20 X .75, TAPTITE II, HEX WSHR SLTD | 2.000 EA |
| HW2501G25 | KEY, 3/8 SQ X 2.875 | 1.000 EA |
| LB1115N | LABEL,LIFTING DEVICE (ON ROLLS) | 1.000 EA |
| MN416A01 | TAG-INSTAL-MAINT no wire (1200/bx) 5/18 | 1.000 EA |
| LB1350 | BAR CODE LABEL FOR YORK | 1.000 EA |
| HA4051A00 | PLASTIC CAP FOR GREASE FITTING | 1.000 EA |
| HW4500A03 | GREASE FITTING, .125 NPT 1610(ALEMITE) 8 | 1.000 EA |

| Parts List (continued) | | |
|-------------------------------|------------------------------------------|-----------------|
| Part Number | Description | Quantity |
| HW4500A20 | 1/8NPT SL PIPE PLUG | 1.000 EA |
| MJ1000A02 | GREASE, POLYREX EM EXXON (USe 4824-15A) | 0.030 LB |
| HA4051A00 | PLASTIC CAP FOR GREASE FITTING | 1.000 EA |
| HW4500A03 | GREASE FITTING, .125 NPT 1610(ALEMITE) 8 | 1.000 EA |
| HW4500A20 | 1/8NPT SL PIPE PLUG | 1.000 EA |
| MG1000Y03 | MUNSELL 2.53Y 6.70/ 4.60, GLOSS 20, | 0.050 GA |
| 85XU0407S04 | 4X1/4 U DRIVE PIN STAINLESS | 2.000 EA |
| 39AD2002A01 | BAFFLE PLATE 39 OPEN, SLOTTED BAND MTRS | 1.000 EA |
| 39AD2002A01 | BAFFLE PLATE 39 OPEN, SLOTTED BAND MTRS | 1.000 EA |
| HA3154A03 | STUD, 3/8-16 X 17.75 | 4.000 EA |
| LB1119N | WARNING LABEL | 1.000 EA |
| LC0181 | CONNECTION LABEL | 1.000 EA |
| NP1259L | ALUM SUPER-E UL CSA-EEV CC NEMA PREMIUM | 1.000 EA |
| 39PA1000 | PACKAGING GROUP 39 PRINT | 1.000 EA |

AC Induction Motor Performance Data

Record # 36294 - Typical performance - not guaranteed values

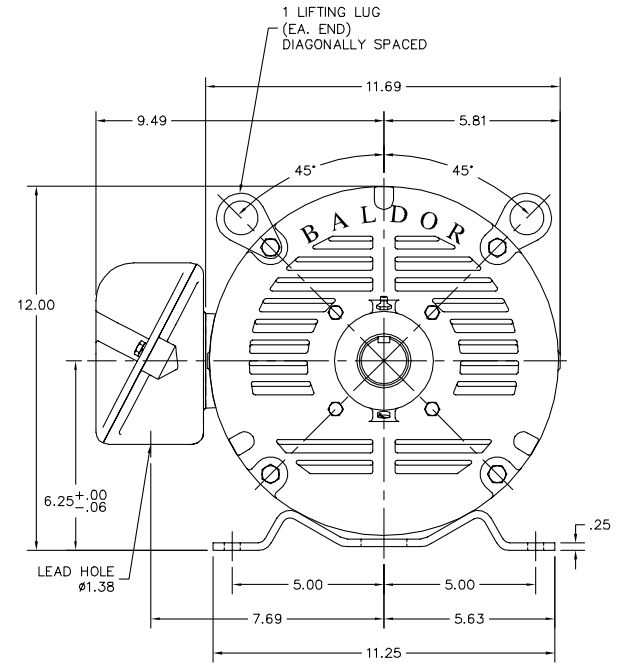
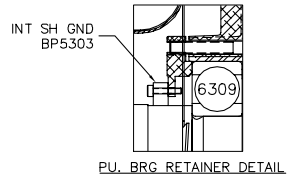
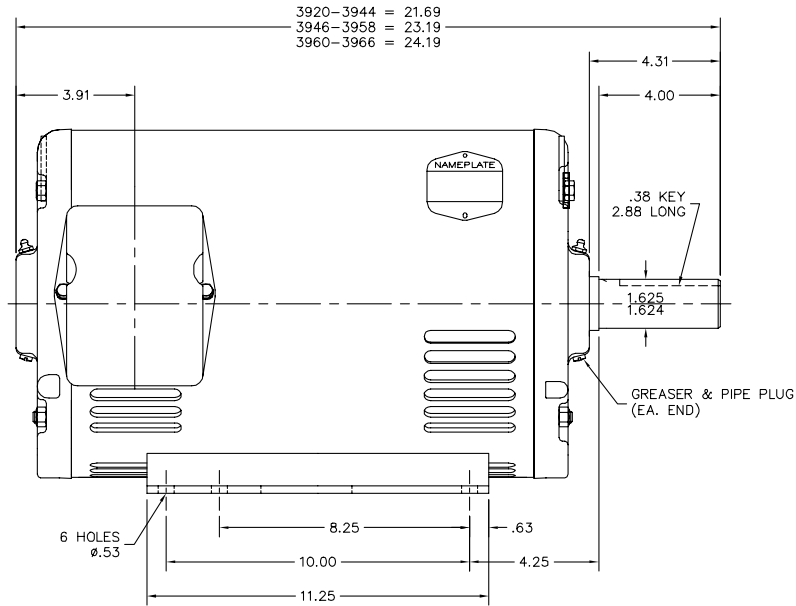
| | | |
|-------------------------------|--------------------|------------------------|
| Winding: 39WGW950-R004 | Type: 3954M | Enclosure: OPSB |
|-------------------------------|--------------------|------------------------|

| Nameplate Data | | | | 460 V, 60 Hz: High Voltage Connection | |
|-----------------------|--------------|--------------|----|------------------------------------------|-------------------------|
| Rated Output (HP) | 10 | | | Full Load Torque | 44.1 LB-FT |
| Volts | 230/460 | | | Start Configuration | direct on line |
| Full Load Amps | 28.6/14.3 | | | Breakdown Torque | 149 LB-FT |
| R.P.M. | 1180 | | | Pull-up Torque | 55.5 LB-FT |
| Hz | 60 | Phase | 3 | Locked-rotor Torque | 67.6 LB-FT |
| NEMA Design Code | A | KVA Code | J | Starting Current | 91.6 A |
| Service Factor (S.F.) | 1.15 | | | No-load Current | 7.51 A |
| NEMA Nom. Eff. | 91.7 | Power Factor | 71 | Line-line Res. @ 25°C | 0.72568 Ω |
| Rating - Duty | 40C AMB-CONT | | | Temp. Rise @ Rated Load | 18°C |
| S.F. Amps | | | | Temp. Rise @ S.F. Load | 22°C |
| | | | | Locked-rotor Power Factor | 25.9 |
| | | | | Rotor inertia | 4.34 LB-FT ² |

Load Characteristics 460 V, 60 Hz, 10 HP

| % of Rated Load | 25 | 50 | 75 | 100 | 125 | 150 | S.F. |
|-----------------|--------|--------|--------|--------|--------|--------|------|
| Power Factor | 34 | 53 | 64 | 70 | 73 | 74 | 72 |
| Efficiency | 84.5 | 90.2 | 91.8 | 92.1 | 91.8 | 91.1 | 91.9 |
| Speed | 1195.9 | 1191.9 | 1187.8 | 1182.8 | 1177.7 | 1171.6 | 1180 |
| Line amperes | 8.2 | 9.72 | 11.9 | 14.4 | 17.5 | 20.6 | 16.3 |

39LYE366



39LYE366

CUSTOMER IS RESPONSIBLE FOR DETERMINING THAT BALDOR'S PRODUCT WILL PERFORM SUITABLY IN THE INTENDED APPLICATION.

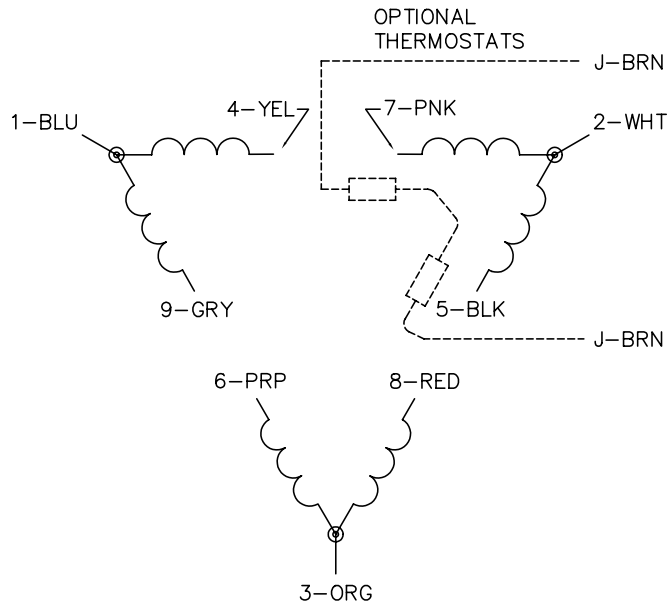
| | | |
|--------------------------------------------------|-----------------------------|-------------------|
| REV. DESC: ADDED BEARING RETAINER SCREW GRAPHICS | VERSION: 02 | TDR: 000000949311 |
| REV. LTR: B | REVISD: 02:19:54 10/20/2015 | BY: ENSHABO |
| FILE: \AAA\00174\376 | | |
| MTL: - | | |

BALDOR

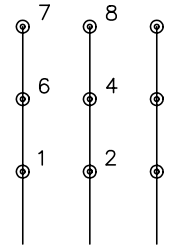
HORZ OPSB 254-6T W/INT SH GND

SH 1 of 1

CD0180

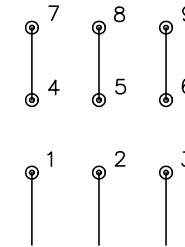


LOW VOLTAGE
(2D)



LINE

HIGH VOLTAGE
(1D)



LINE

NOTES:

1. INTERCHANGE ANY TWO LINE LEADS TO REVERSE ROTATION.
2. OPTIONAL THERMOSTATS ARE PROVIDED WHEN SPECIFIED.
3. ACTUAL NUMBER OF INTERNAL PARALLEL CIRCUITS MAY BE A MULTIPLE OF THOSE SHOWN ABOVE.
4. LEAD COLORS ARE OPTIONAL. LEADS MUST ALWAYS BE NUMBERED AS SHOWN.

| | | | |
|-------------------------------------------|---------|------------------------|--------------|
| REV. DESC: REVISE TO SHOW OPTIONAL COLORS | | | |
| REV. LTR: C | BY: JLP | REVISED: 01/21/99 2:28 | TDR: 0171435 |
| 0810D0 | | FILE: AAA00005148 | MDL: - |
| | | MTL: - | |

BALDOR ELECTRIC Co.

3PH, DV, 9 LEADS, DELTA CONNECTION

CD0180