

**BALDOR • RELIANCE**

---

# Customer information packet

## EM251452T-4

450HP, 3570RPM, 3PH, 60HZ, 449TS, A44112M, DP

Class - None

Division - Not Applicable

Copyright © All product information within this document is subject to ABB Motors and Mechanical Inc. copyright © protection, unless otherwise noted.

4/10/2025 11:58:55 PM

## Specifications

Enclosure	DP
Frame	449TS
Frame Material	Iron
Frequency	60.00 Hz
Haz Area Class and Group	None
Haz Area Division	Not Applicable
Motor Letter Type	Three Phase
Output @ Frequency	450.000 HP @ 60 HZ
Phase	3
Synchronous Speed @ Frequency	3600 RPM @ 60 HZ
Voltage @ Frequency	460.0 V @ 60 HZ
Agency Approvals	CCSAUSEEV
Ambient Temperature	40 °C
Auxillary Box	No Auxillary Box
Base Indicator	Rigid
Bearing Grease Type	Polyrex EM (-20F +300F)
Current @ Voltage	494.000 A @ 460.0 V
Design Code	B
Drip Cover	No Drip Cover
Duty Rating	CONT
Efficiency @ 100% Load	96.2 %
Feedback Device	NO FEEDBACK
Heater Indicator	No Heater
High Voltage Full Load Amps	494.0 a
Insulation Class	F
Inverter Code	Inverter Ready
IP Rating	NONE
KVA Code	F
Lifting Lugs	Standard Lifting Lugs
Motor Lead Quantity/Wire Size	12 @ 1 AWG
Motor Standards	NEMA
Motor Type	A44112M

## Part detail

Revision	D
Type	AC
Mech. spec.	
Base	
Status	PRD/A
Elec. spec.	A44WG2693
Layout	604989-664
Eff. date	07-01-2022
CD Diagram	416820-008
Poles	02
Leads	6#1 (02 per group)
Proprietary	False
Created date	02-09-2015

<b>Mounting Arrangement</b>	F1
<b>Number of Poles</b>	2
<b>Overall Length</b>	44.31 IN
<b>Power Factor</b>	88
<b>Product Family</b>	General Industrial
<b>Pulley End Bearing Type</b>	Ball
<b>Pulley Face Code</b>	Standard
<b>Service Factor</b>	1.15
<b>Shaft Diameter</b>	2.375 IN
<b>Shaft Ground Indicator</b>	No Shaft Grounding
<b>Shaft Rotation</b>	Reversible
<b>Shaft Slinger Indicator</b>	No Slinger
<b>Speed</b>	3570 rpm
<b>Speed Code</b>	Single Speed
<b>Starting Method</b>	Wye Start - Delta Run
<b>Thermal Device - Bearing</b>	None
<b>Thermal Device - Winding</b>	None

**Nameplate**

---

NP2496L	
MOBIL POLYREX EM	

---

**NP2349L**

<b>SPEC NO.</b>	A44-6799-2693	<b>CAT.NO.</b>	EM251452T-4	<b>FRAME</b>	449TS
<b>HP</b>	450	<b>VOLTS</b>	460	<b>PHASE</b>	3
		<b>DESIGN</b>	B	<b>TYPE</b>	P
<b>RPM</b>	3570	<b>AMPS</b>	494	<b>HZ</b>	60
		<b>AMB</b>	40	<b>SF</b>	1.15
<b>DRIVE END BEARING</b>	65BC03J30X	<b>DUTY</b>	CONT	<b>INSUL.CLASS</b>	F
<b>OPP D.E. BEARING</b>	65BC03J30X	<b>ENCL</b>	DP	<b>CODE</b>	F
<b>SER.NO.</b>		<b>POWER FACTOR</b>	88	<b>NEMA-NOM-EFFICIENCY</b>	96.2
		<b>MAX CORR KVAR</b>	75	<b>GUARANTEED EFFICIENCY</b>	95.4
		<b>NEMA NOM/CSA QUOTED EFF</b>			
		<b>MOTOR WEIGHT</b>	2080		





604989-664

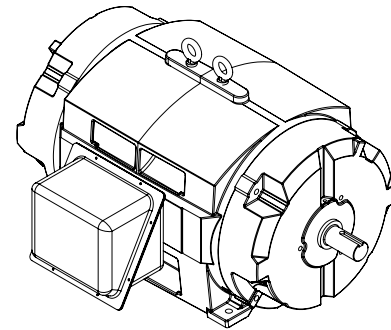
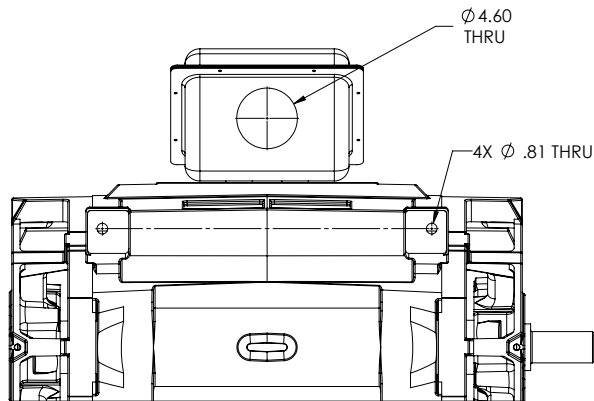
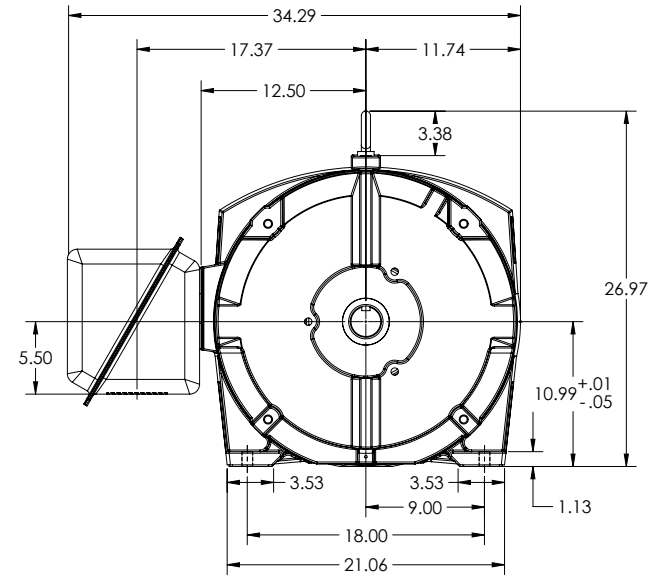
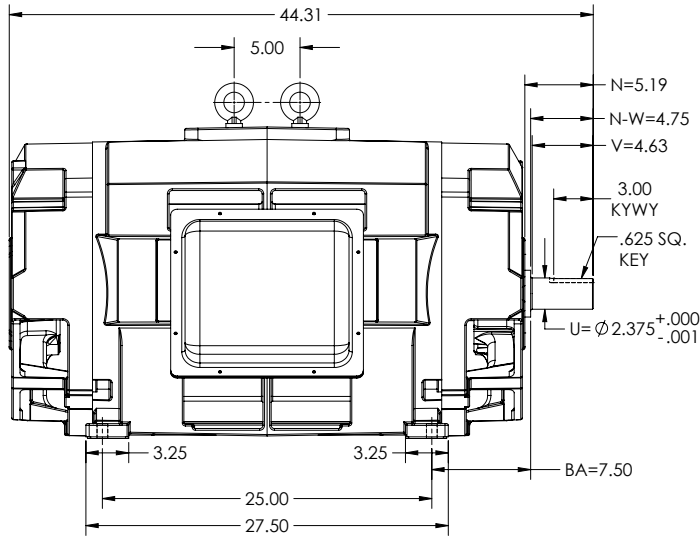
ENCLOSURE: OPEN DRIP-PROOF

**DUTY MASTER ALTERNATING CURRENT MOTORS**  
SQUIRREL-CAGE INDUCTION

MOUNTING: FOOT, F-1

E449TS FRAME MOUNTING

COOLING: NON-VENTILATED



DIMENSIONS ARE IN INCHES.  
WEIGHT (LBS) 2100, MAY VARY 15% DEPENDING ON RATING.  
CUSTOMER IS RESPONSIBLE FOR DETERMINING THAT MOTOR PERFORMANCE IS SUITABLE IN THE APPLICATION.

SHEET NUMBER  
**1 OF 1**

IF MOUNTING CLEARANCE DETAILS ARE REQUIRED, CONSULT FACTORY.

F99-686F09

MAX PERMISSIBLE SHAFT RUNOUT WHEN MEASURED AT END OF STANDARD SHAFT EXTENSION IS .003 T.I.R.

REV. DESC: NEW	VERSION: 00	REVISED: 10/26/10 10/22/2020	TDR: 000001151313
MODEL NO. 604989-664	BY: USJOSUL		

**BALDOR**

449TS ODP F1 FT S

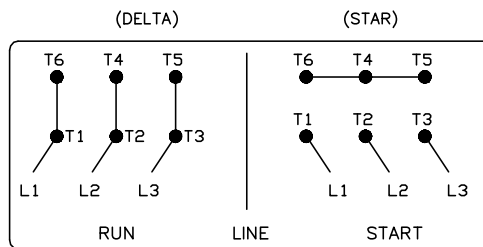
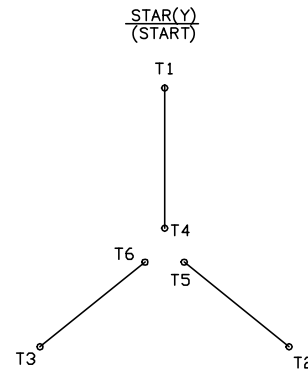
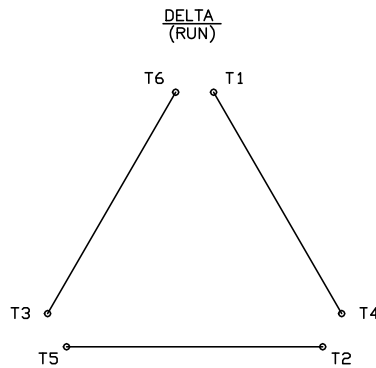
F99-686F09

416820-008

# A-C MOTOR CONNECTION DIAGRAM

STANDARD 6 LEAD

Y START – DELTA RUN



< N. P. 1767-DC >

REV. DESC: ADDED T4 TO Y CONNECT DIAGRAM		
REV. LTR: D	VERSION: 04	TDR: 00000847713
FILE: \RAG\00001\808	REVISED: 10:41:26 04/08/2014	BY: RAGJSS1
MTL: -	© □	

**BALDOR**

CONNECT DIAGRAM STD 6 LEAD Y START DELTA RUN

SH 1 of 1

416820-008