

**BALDOR® • RELIANCE** 

**Product Information Packet**

**EM2532T-G**

**25HP, 1180RPM, 3PH, 60HZ, 324T, 4072M, OPSB, F1**

Part Detail							
Revision:	M	Status:	PRD/A	Change #:		Proprietary:	No
Type:	AC	Elec. Spec:	40WGX192	CD Diagram:	CD0180	Mfg Plant:	
Mech. Spec:	40E245	Layout:	40LYE245	Poles:	06	Created Date:	12-01-2011
Base:	RG	Eff. Date:	08-21-2018	Leads:	9#10		

Specs			
Catalog Number:	EM2532T-G	Insulation Class:	H
Enclosure:	OPSB	Inverter Code:	Inverter Ready
Frame:	324T	KVA Code:	J
Frame Material:	Steel	Lifting Lugs:	Standard Lifting Lugs
Output @ Frequency:	25.000 HP @ 60 HZ	Locked Bearing Indicator:	No Locked Bearing
Synchronous Speed @ Frequency:	1200 RPM @ 60 HZ	Motor Lead Quantity/Wire Size:	9 @ 10 AWG
Voltage @ Frequency:	460.0 V @ 60 HZ	Motor Lead Exit:	Ko Box
	230.0 V @ 60 HZ	Motor Lead Termination:	Flying Leads
Agency Approvals:	CSA	Motor Type:	4072M
	CSA EEV	Mounting Arrangement:	F1
	UR	Power Factor:	76
Auxillary Box:	No Auxillary Box	Product Family:	General Purpose
Auxillary Box Lead Termination:	None	Pulley End Bearing Type:	Ball
Base Indicator:	Rigid	Pulley Face Code:	Standard
Bearing Grease Type:	Polyrex EM (-20F +300F)	Pulley Shaft Indicator:	Standard
Blower:	None	Rodent Screen:	None
Current @ Voltage:	70.000 A @ 208.0 V	Shaft Extension Location:	Pulley End
	68.000 A @ 230.0 V	Shaft Ground Indicator:	Shaft Grounding

	34.000 A @ 460.0 V	<b>Shaft Rotation:</b>	Reversible
<b>Design Code:</b>	A	<b>Shaft Slinger Indicator:</b>	No Slinger
<b>Drip Cover:</b>	No Drip Cover	<b>Speed Code:</b>	Single Speed
<b>Duty Rating:</b>	CONT	<b>Motor Standards:</b>	NEMA
<b>Electrically Isolated Bearing:</b>	Not Electrically Isolated	<b>Starting Method:</b>	Direct on line
<b>Feedback Device:</b>	NO FEEDBACK	<b>Thermal Device - Bearing:</b>	NONE (OLD)
<b>Front Face Code:</b>	Standard	<b>Thermal Device - Winding:</b>	None
<b>Front Shaft Indicator:</b>	None	<b>Vibration Sensor Indicator:</b>	No Vibration Sensor
<b>Heater Indicator:</b>	No Heater	<b>Winding Thermal 1:</b>	None
		<b>Winding Thermal 2:</b>	None

Nameplate NP2138L											
CAT.NO.	EM2532T-G			P/N				ENCLOSURE	OPSB		
SPEC.	40E245X192G1		CC	010A	FRAME	324T		S/N			
HP	25			CLASS	H	HZ	60				
RPM	1180			PH	3	DES	A				
VOLT	230/460				KVA-CODE	J		ODE BRG	6309	DE BRG	6312
AMP	68/34				USABLE AT 208V	70					
RATING	40C AMB-CONT				GREASE	POLYREX EM					
NEMA-NOM-EFF	93	PF	76	SER.F.	1.15						
HTR-VOLTS				HTR-AMPS							

Parts List		
Part Number	Description	Quantity
SA235125	SA 40E245X192G1	1.000 EA
RA222088	RA 40E245X192G1	1.000 EA
S/P107-000-004	SUPER-E(284 FR. & UP)-CL PLANT,POLYREX E	1.000 EA
HA6361A01	LIFTING LUG FOR 37, 39 & 40 FRAME ZINC	2.000 EA
HA6017	CAST ADAPTER, 40,42 KOBX	1.000 EA
19XW3118A12	.31-18 X .75 HEX WASHER HEAD TAPTITE II	2.000 EA
HW1001A31	LOCKWASHER 5/16, ZINC PLT.591 OD, .319 I	2.000 EA
WD1000B25	GND LUG, BURNDY L125HP OR T&B L125HP-BB	1.000 EA
19XW3118G08	.31-18X.50,HEX WSHR HD,TAPTITE 2,GREEN	1.000 EA
10CB3001	CONDUIT BOX CAST W/2.500 LEAD HOLE	1.000 EA
19XW3118A12	.31-18 X .75 HEX WASHER HEAD TAPTITE II	4.000 EA
HW1001A31	LOCKWASHER 5/16, ZINC PLT.591 OD, .319 I	4.000 EA
40EP3200A02	STD FREP OPEN 309 BRG	1.000 EA
HW5100A11	W3917-042 WVY WSHR (WB)	1.000 EA
40EP3201A04	PUEP, MACH - OPEN - FOR 312 BRG W/RET. R	1.000 EA
XY3816A12	3/8-16 FINISHED NUT	8.000 EA
10XN3118K40	5/16-18 X 2.50" HEX HD, GRADE 5	4.000 EA
HW1001A31	LOCKWASHER 5/16, ZINC PLT.591 OD, .319 I	4.000 EA
10CB3500SP	CONDUIT BOX LID, CAST	1.000 EA
51XW2520A12	.25-20 X .75, TAPTITE II, HEX WSHR SLTD	4.000 EA
HW2501H33	KEY, 1/2 SQ X 3.875	1.000 EA
LB1115N	LABEL,LIFTING DEVICE (ON ROLLS)	1.000 EA
MN416A01	TAG-INSTAL-MAINT no wire (1200/bx) 5/18	1.000 EA
LB1350	BAR CODE LABEL FOR YORK	1.000 EA

Parts List (continued)		
Part Number	Description	Quantity
HA4051A00	PLASTIC CAP FOR GREASE FITTING	1.000 EA
HW4500A03	GREASE FITTING, .125 NPT 1610(ALEMITE) 8	1.000 EA
HW4500A20	1/8NPT SL PIPE PLUG	1.000 EA
MJ1000A02	GREASE, POLYREX EM EXXON (USe 4824-15A)	0.050 LB
HA4051A00	PLASTIC CAP FOR GREASE FITTING	1.000 EA
HW4500A03	GREASE FITTING, .125 NPT 1610(ALEMITE) 8	1.000 EA
HW4500A20	1/8NPT SL PIPE PLUG	1.000 EA
HA3154A12	THRUBOLT STUD 3/8-16 X 21.00	4.000 EA
MG1000Y03	MUNSELL 2.53Y 6.70/ 4.60, GLOSS 20,	0.030 GA
85XU0407S04	4X1/4 U DRIVE PIN STAINLESS	4.000 EA
40AD2002A01	LEXAN BAFFLE 40 FR OPEN	1.000 EA
40AD2002A01	LEXAN BAFFLE 40 FR OPEN	1.000 EA
LB1119N	WARNING LABEL	1.000 EA
LC0181	CONNECTION LABEL	1.000 EA
NP2138L	ALUM SUPER-E UL CSA-EEV PREM CC (300	1.000 EA
40PA1000	PACKAGING GROUP	1.000 EA

**AC Induction Motor Performance Data**

Record # 53040 - Typical performance - not guaranteed values

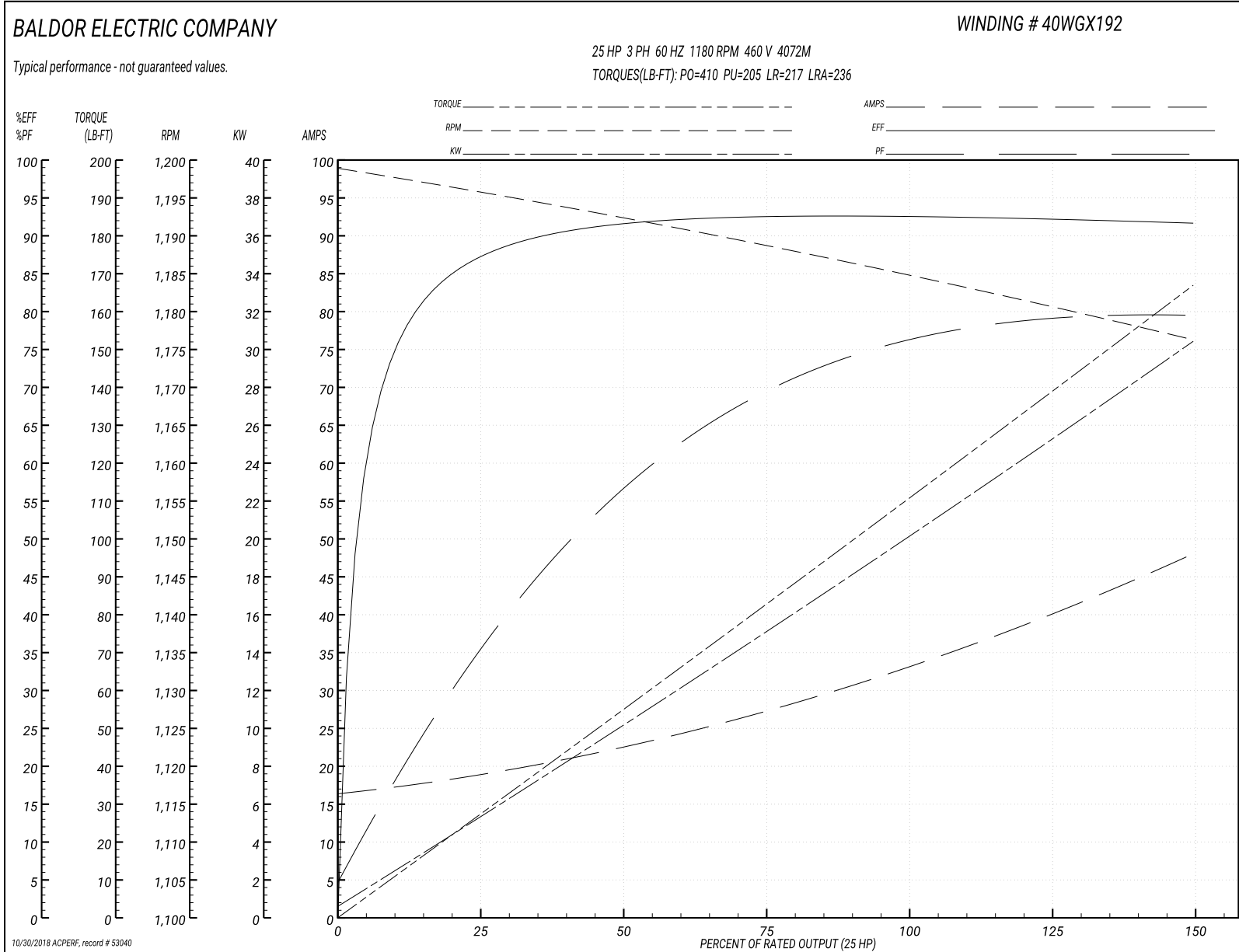
<b>Winding:</b> 40WGX192-R004	<b>Type:</b> 4072M	<b>Enclosure:</b> OPSB
-------------------------------	--------------------	------------------------

Nameplate Data				460 V, 60 Hz: High Voltage Connection	
Rated Output (HP)	25			Full Load Torque	111 LB-FT
Volts	230/460			Start Configuration	direct on line
Full Load Amps	68/34			Breakdown Torque	410 LB-FT
R.P.M.	1180			Pull-up Torque	205 LB-FT
Hz	60	Phase	3	Locked-rotor Torque	217 LB-FT
NEMA Design Code	A	KVA Code	J	Starting Current	236 A
Service Factor (S.F.)	1.15			No-load Current	16.7 A
NEMA Nom. Eff.	93	Power Factor	76	Line-line Res. @ 25°C	0.29283 Ω
Rating - Duty	40C AMB-CONT			Temp. Rise @ Rated Load	40°C
S.F. Amps				Temp. Rise @ S.F. Load	48°C
				Locked-rotor Power Factor	31
				Rotor inertia	8.82 LB-FT <sup>2</sup>

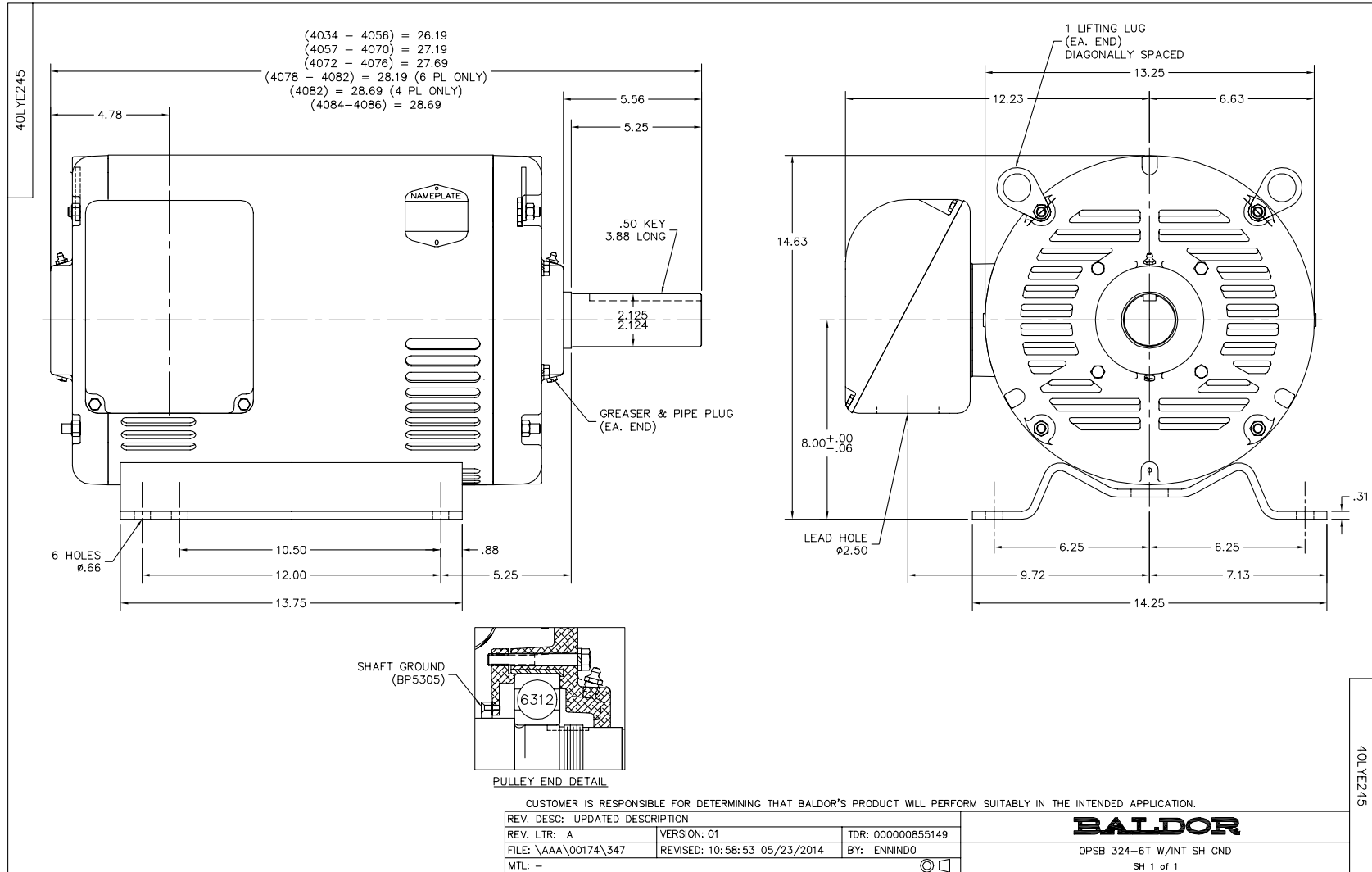
Load Characteristics 460 V, 60 Hz, 25 HP

% of Rated Load	25	50	75	100	125	150	S.F.
Power Factor	36	57	69	76	79	80	78
Efficiency	88	92.3	93.2	93.2	92.7	92	92.9
Speed	1195.9	1192.3	1188.4	1184.9	1180.9	1176.1	1182
Line amperes	18.5	22.3	27.4	33.5	40.3	47.8	37.6

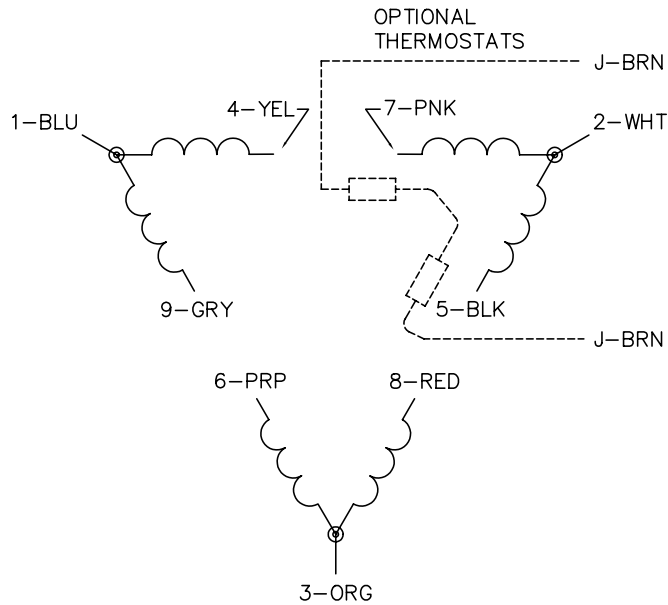
Performance Graph at 460V, 60Hz, 25.0HP Typical performance - Not guaranteed values



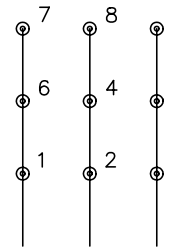




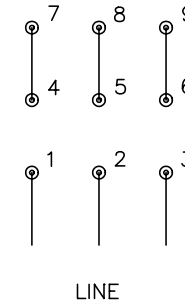
CD0180



LOW VOLTAGE  
(2D)



HIGH VOLTAGE  
(1D)



NOTES:

1. INTERCHANGE ANY TWO LINE LEADS TO REVERSE ROTATION.
2. OPTIONAL THERMOSTATS ARE PROVIDED WHEN SPECIFIED.
3. ACTUAL NUMBER OF INTERNAL PARALLEL CIRCUITS MAY BE A MULTIPLE OF THOSE SHOWN ABOVE.
4. LEAD COLORS ARE OPTIONAL. LEADS MUST ALWAYS BE NUMBERED AS SHOWN.

REV. DESC: REVISE TO SHOW OPTIONAL COLORS			
REV. LTR: C	BY: JLP	REVISED: 01/21/99 2:28	TDR: 0171435
0810D0		FILE: AAA00005148	MDL: -
		MTL: -	

**BALDOR ELECTRIC Co.**

3PH, DV, 9 LEADS, DELTA CONNECTION

CD0180