

BALDOR® • RELIANCE 

Product Information Packet

EM2539T-8G

40HP, 1770RPM, 3PH, 60HZ, 324T, 4064M, OPSB, F1

Part Detail							
Revision:	E	Status:	PRD/A	Change #:		Proprietary:	No
Type:	AC	Elec. Spec:	40WGX238	CD Diagram:	CD0695	Mfg Plant:	
Mech. Spec:	40E245	Layout:	40LYE245	Poles:	04	Created Date:	09-11-2013
Base:	RG	Eff. Date:	11-06-2017	Leads:	6#4		

Specs			
Catalog Number:	EM2539T-8G	KVA Code:	H
Enclosure:	OPSB	Lifting Lugs:	Standard Lifting Lugs
Frame:	324T	Locked Bearing Indicator:	No Locked Bearing
Frame Material:	Steel	Motor Lead Quantity/Wire Size:	6 @ 4 AWG
Output @ Frequency:	40.000 HP @ 60 HZ	Motor Lead Exit:	Ko Box
Synchronous Speed @ Frequency:	1800 RPM @ 60 HZ	Motor Lead Termination:	Flying Leads
Voltage @ Frequency:	200.0 V @ 60 HZ	Motor Type:	4064M
Agency Approvals:	CSA	Mounting Arrangement:	F1
	CSA EEV	Power Factor:	84
	UR	Product Family:	General Purpose
Auxillary Box:	No Auxillary Box	Pulley End Bearing Type:	Ball
Auxillary Box Lead Termination:	None	Pulley Face Code:	Standard
Base Indicator:	Rigid	Pulley Shaft Indicator:	Standard
Bearing Grease Type:	Polyrex EM (-20F +300F)	Rodent Screen:	None
Blower:	None	Shaft Extension Location:	Pulley End
Current @ Voltage:	109.000 A @ 200.0 V	Shaft Ground Indicator:	Shaft Grounding
Design Code:	A	Shaft Rotation:	Reversible
Drip Cover:	No Drip Cover	Shaft Slinger Indicator:	No Slinger

Duty Rating:	CONT	Speed Code:	Single Speed
Electrically Isolated Bearing:	Not Electrically Isolated	Motor Standards:	NEMA
Feedback Device:	NO FEEDBACK	Starting Method:	Part Winding
Front Face Code:	Standard	Thermal Device - Bearing:	NONE (OLD)
Front Shaft Indicator:	None	Thermal Device - Winding:	None
Heater Indicator:	No Heater	Vibration Sensor Indicator:	No Vibration Sensor
Insulation Class:	H	Winding Thermal 1:	None
Inverter Code:	Inverter Ready	Winding Thermal 2:	None

Nameplate NP3554L											
CAT.NO.	EM2539T-8G			P/N				ENCL	OPSB		
SPEC.	40E245X238G1		CC	010A		FRAME	324T		SER.NO.		
HP	40		CLASS	H		HZ	60				
RPM	1770		PH	3		DES	A				
VOLTS	200		CODE	H		ODE BRG	6309		DE BRG	6312	
AMPS	109		USABLE AT	208V							
RATING	40C AMB-CONT		NEMA-NOM-EFF	94.1		GREASE	POLYREX EM				
PF	84		SER.F.	1.15		VPWM INVERTER READY					
HTR-VOLTS			HTR-AMPS			MAX. SPACE HEATER TEMP.					

Parts List		
Part Number	Description	Quantity
SA269034	SA 40E245X238G1	1.000 EA
RA255688	RA 40E245X238G1	1.000 EA
S/P107-000-004	SUPER-E(284 FR. & UP)-CL PLANT,POLYREX E	1.000 EA
HA6361A01	LIFTING LUG FOR 37, 39 & 40 FRAME ZINC	2.000 EA
HA6017	CAST ADAPTER, 40,42 KOBX	1.000 EA
19XW3118A12	.31-18 X .75 HEX WASHER HEAD TAPTITE II	2.000 EA
HW1001A31	LOCKWASHER 5/16, ZINC PLT.591 OD, .319 I	2.000 EA
WD1000B25	GND LUG, BURNDY L125HP OR T&B L125HP-BB	1.000 EA
19XW3118G08	.31-18X.50,HEX WSHR HD,TAPTITE 2,GREEN	1.000 EA
10CB3001	CONDUIT BOX CAST W/2.500 LEAD HOLE	1.000 EA
19XW3118A12	.31-18 X .75 HEX WASHER HEAD TAPTITE II	4.000 EA
HW1001A31	LOCKWASHER 5/16, ZINC PLT.591 OD, .319 I	4.000 EA
40EP3200A02	STD FREP OPEN 309 BRG	1.000 EA
HW5100A11	W3917-042 WVY WSHR (WB)	1.000 EA
40EP3201A04	PUEP, MACH - OPEN - FOR 312 BRG W/RET. R	1.000 EA
XY3816A12	3/8-16 FINISHED NUT	8.000 EA
10XN3118K40	5/16-18 X 2.50" HEX HD, GRADE 5	4.000 EA
HW1001A31	LOCKWASHER 5/16, ZINC PLT.591 OD, .319 I	4.000 EA
10CB3500SP	CONDUIT BOX LID, CAST	1.000 EA
51XW2520A12	.25-20 X .75, TAPTITE II, HEX WSHR SLTD	4.000 EA
HW2501H33	KEY, 1/2 SQ X 3.875	1.000 EA
LB1115N	LABEL,LIFTING DEVICE (ON ROLLS)	1.000 EA
MN416A01	TAG-INSTAL-MAINT no wire (1200/bx) 5/18	1.000 EA
HA4051A00	PLASTIC CAP FOR GREASE FITTING	1.000 EA

Parts List (continued)		
Part Number	Description	Quantity
HW4500A03	GREASE FITTING, .125 NPT 1610(ALEMITE) 8	1.000 EA
HW4500A20	1/8NPT SL PIPE PLUG	1.000 EA
MJ1000A02	GREASE, POLYREX EM EXXON (USe 4824-15A)	0.050 LB
HA4051A00	PLASTIC CAP FOR GREASE FITTING	1.000 EA
HW4500A03	GREASE FITTING, .125 NPT 1610(ALEMITE) 8	1.000 EA
HW4500A20	1/8NPT SL PIPE PLUG	1.000 EA
HA3159A08	THRUBOLT- .38-16 X 20.00 LONG STUD	4.000 EA
MG1000Y03	MUNSELL 2.53Y 6.70/ 4.60, GLOSS 20,	0.030 GA
85XU0407S04	4X1/4 U DRIVE PIN STAINLESS	4.000 EA
40AD2002A01	LEXAN BAFFLE 40 FR OPEN	1.000 EA
40AD2002A01	LEXAN BAFFLE 40 FR OPEN	1.000 EA
LB1119N	WARNING LABEL	1.000 EA
LC0695	CONNECTION LABEL	1.000 EA
NP3554L	SS SUPER-E UL CSA-EEV PREM CC	1.000 EA
40PA1000	PACKAGING GROUP	1.000 EA

AC Induction Motor Performance Data

Record # 50232 - Typical performance - not guaranteed values

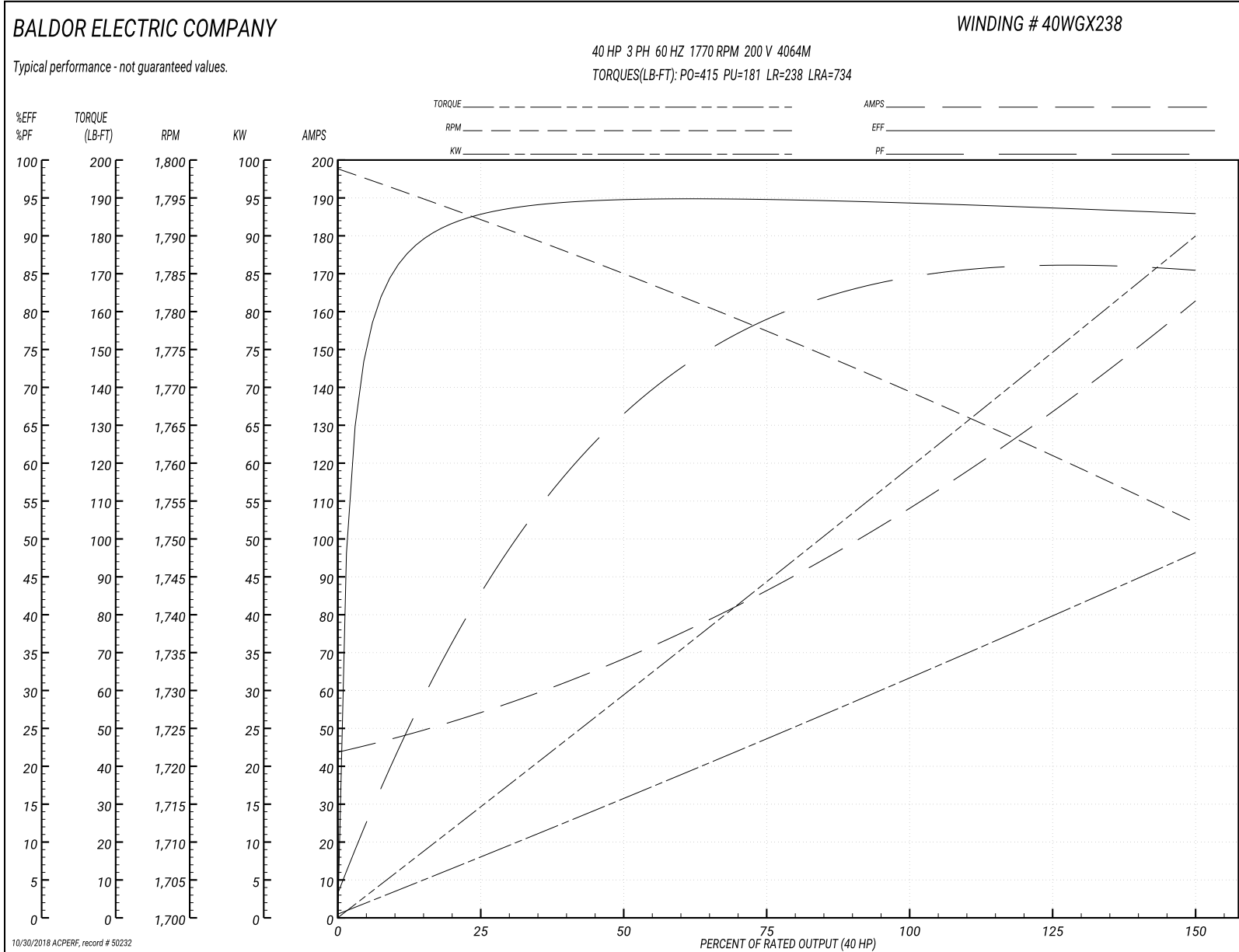
Winding: 40WGX238-R002	Type: 4064M	Enclosure: OPSB
-------------------------------	--------------------	------------------------

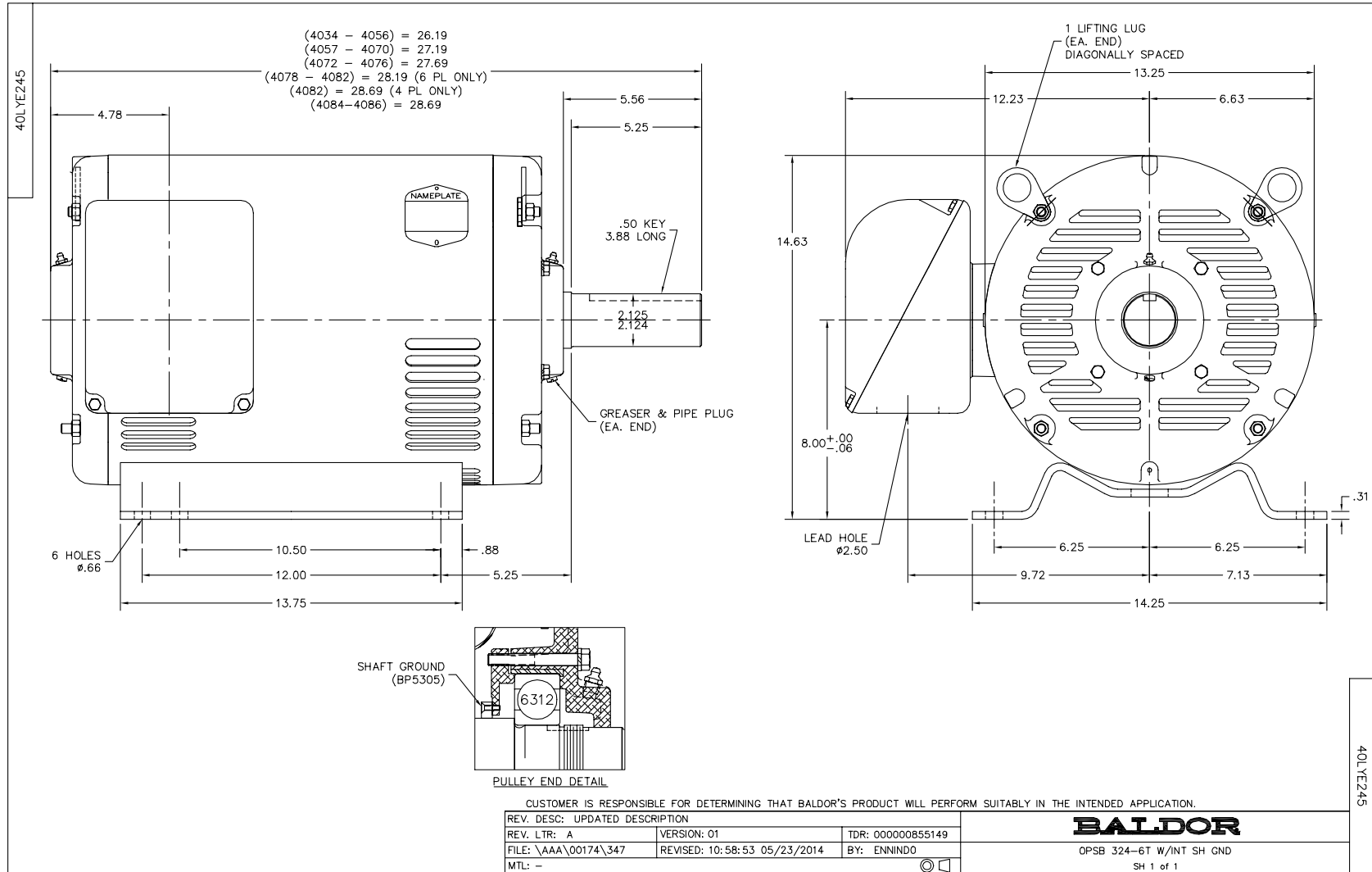
Nameplate Data				200 V, 60 Hz: Single Voltage Motor	
Rated Output (HP)	40			Full Load Torque	119 LB-FT
Volts	200			Start Configuration	direct on line
Full Load Amps	109			Breakdown Torque	415 LB-FT
R.P.M.	1770			Pull-up Torque	181 LB-FT
Hz	60	Phase	3	Locked-rotor Torque	238 LB-FT
NEMA Design Code	A	KVA Code	H	Starting Current	734 A
Service Factor (S.F.)	1.15			No-load Current	45.2 A
NEMA Nom. Eff.	94.1	Power Factor	84	Line-line Res. @ 25°C	0.03 Ω
Rating - Duty	40C AMB-CONT			Temp. Rise @ Rated Load	41°C
S.F. Amps				Temp. Rise @ S.F. Load	49°C
				Locked-rotor Power Factor	32
				Rotor inertia	5.09 LB-FT ²

Load Characteristics 200 V, 60 Hz, 40 HP

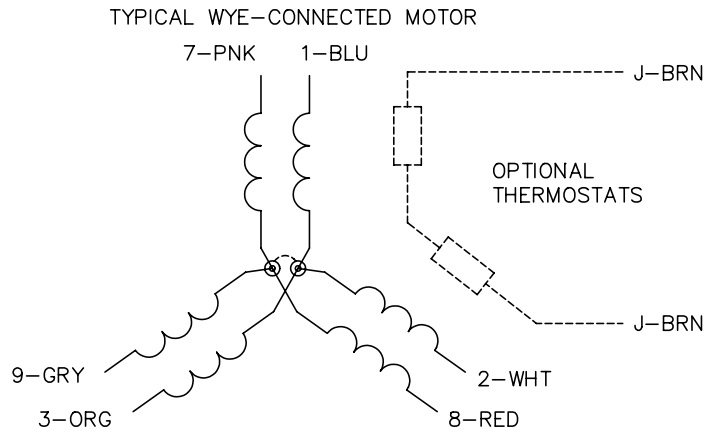
% of Rated Load	25	50	75	100	125	150	S.F.
Power Factor	44	68	78	84	86	86	85
Efficiency	92.9	94.6	94.9	94.4	93.6	93	94
Speed	1792	1785	1777	1770	1761	1752	1765
Line amperes	52.1	67.5	87.3	109	134	162	124

Performance Graph at 200V, 60Hz, 40.0HP Typical performance - Not guaranteed values

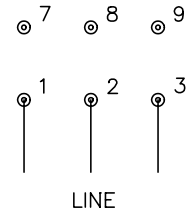




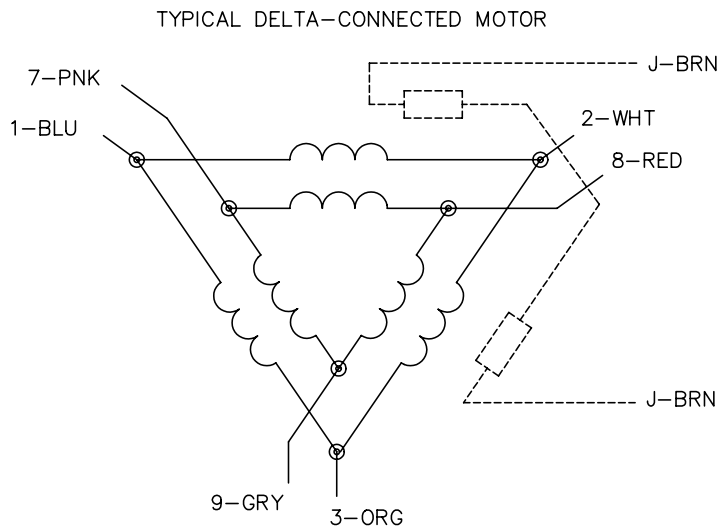
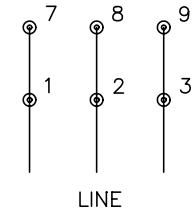
CD0695



START CONNECTION



RUN CONNECTION



NOTES:

1. MOTOR MAY BE WYE CONNECTED OR DELTA CONNECTED.
2. INTERCHANGE ANY TWO LINE LEADS TO REVERSE ROTATION.
3. OPTIONAL THERMOSTATS ARE PROVIDED WHEN SPECIFIED.
4. ACTUAL NUMBER OF INTERNAL PARALLEL CIRCUITS MAY VARY.
5. LEAD COLORS ARE OPTIONAL. LEADS MUST ALWAYS BE NUMBERED AS SHOWN.

REV. DESC: REVISE TO SHOW OPTIONAL COLORS			
REV. LTR: C	BY: JLP	REVISED: 01/21/99 3:19	TDR: 0171435
9690D0		FILE: AAA00005151	MDL: -
		MTL: -	

BALDOR ELECTRIC Co.

3PH, SV, 6 LEADS, PART WINDING START

CD0695