

**BALDOR • RELIANCE**

---

# Customer information packet

## EM2547T

60HP, 1775RPM, 3PH, 60HZ, 364T, 4278M, OPSB, F1

## Specifications

Enclosure	OPSB
Frame	364T
Frame Material	Steel
Frequency	60.00 Hz
Motor Letter Type	Three Phase
Output @ Frequency	60.000 HP @ 60 HZ
Phase	3
Synchronous Speed @ Frequency	1800 RPM @ 60 HZ
Voltage @ Frequency	460.0 V @ 60 HZ 230.0 V @ 60 HZ
Agency Approvals	CSA EEV NEMA PREMIUM NEMA_PREMIUM UR
Ambient Temperature	40 °C
Auxillary Box	No Auxillary Box
Auxillary Box Lead Termination	None
Base Indicator	Rigid
Bearing Grease Type	Polyrex EM (-20F +300F)
Blower	None
Current @ Voltage	68.000 A @ 460.0 V 144.000 A @ 208.0 V 136.000 A @ 230.0 V
Design Code	A
Drip Cover	No Drip Cover
Duty Rating	CONT
Efficiency @ 100% Load	95.0 %
Electrically Isolated Bearing	Not Electrically Isolated
Feedback Device	NO FEEDBACK
Front Face Code	Standard
Front Shaft Indicator	None
Heater Indicator	No Heater

## Part detail

Revision	Y
Type	AC
Mech. spec.	42E211
Base	
Status	PRD/A
Elec. spec.	42WGW587
Layout	42LYE211
Eff. date	11-29-2023
CD Diagram	CD0180
Poles	04
Leads	9#6
Proprietary	False
Created date	07-27-2009

High Voltage Full Load Amps	68.0 a
Insulation Class	F
Inverter Code	Inverter Ready
IP Rating	NONE
KVA Code	G
Lifting Lugs	Standard Lifting Lugs
Locked Bearing Indicator	Locked Bearing
Motor Lead Exit	Ko Box
Motor Lead Quantity/Wire Size	9 @ 6 AWG
Motor Lead Termination	Flying Leads
Motor Standards	NEMA
Motor Type	4278M
Mounting Arrangement	F1
Number of Poles	4
Overall Length	30.69 IN
Power Factor	87
Product Family	General Purpose
Pulley End Bearing Type	Ball
Pulley Face Code	Standard
Pulley Shaft Indicator	Standard
Rodent Screen	None
Service Factor	1.15
Shaft Diameter	2.375 IN
Shaft Extension Location	Pulley End
Shaft Ground Indicator	No Shaft Grounding
Shaft Rotation	Reversible
Shaft Slinger Indicator	No Slinger
Speed	1775 rpm
Speed Code	Single Speed
Starting Method	Direct on line
Thermal Device - Bearing	None
Thermal Device - Winding	None
Vibration Sensor Indicator	No Vibration Sensor
Winding Thermal 1	None

**Winding Thermal 2**

**None**

---

**Nameplate**

**NP2138LUA**

<b>CAT.NO.</b>	EM2547T	<b>P/N</b>		<b>ENCLOSURE</b>	OPSB
<b>SPEC.</b>	42E211W587	<b>CC</b>	010A	<b>FRAME</b>	364T
<b>HP</b>	60	<b>CLASS</b>	F	<b>HZ</b>	60
<b>RPM</b>	1775	<b>PH</b>	3	<b>DES</b>	A
<b>VOLT</b>	230/460	<b>KVA-CODE</b>	G	<b>ODE BRG</b>	6311
<b>AMP</b>	136/68	<b>DE BRG</b>			6313
<b>RATING</b>	40C AMB-CONT	<b>GREASE</b>	POLYREX EM		
<b>NEMA-NOM-EFF</b>	95	<b>PF</b>	87	<b>SER.F.</b>	1.15
<b>HTR-VOLTS</b>	50Hz 60Hp 190/380V 162/81A			<b>SF</b>	1.0
<b>HTR-AMPS</b>					

**Accessories**

<b>Part number</b>	<b>Description</b>	<b>Multiplier</b>
42-1400	C FACE KIT	A8

**AC Induction Motor Performance Data**

Record # 13772

Typical performance - not guaranteed values

Winding: 42WGW587-R001		Type: 4278M	Enclosure: OPSB	
<b>Nameplate Data</b>			<b>460 V, 60 Hz: High Voltage Connection</b>	
Rated Output (HP)	60	Full Load Torque	177 LB-FT	
Volts	230/460	Start Configuration	direct on line	
Full Load Amps	136/68	Breakdown Torque	624 LB-FT	
R.P.M.	1775	Pull-up Torque	245 LB-FT	
Hz	60 Phase	Locked-rotor Torque	314 LB-FT	
NEMA Design Code	A KVA Code	Starting Current	470 A	
Service Factor (S.F.)	1.15	No-load Current	22.2 A	
NEMA Nom. Eff.	95 Power Factor	Line-line Res. @ 25°C	0.0815 Ω	
Rating - Duty	40C AMB-CONT	Temp. Rise @ Rated Load	30°C	
S.F. Amps		Temp. Rise @ S.F. Load	40°C	
		Locked-rotor Power Factor	26.2	
		Rotor inertia	10.4 LB-FT <sup>2</sup>	

**Load Characteristics 460 V, 60 Hz, 60 HP**

% of Rated Load	25	50	75	100	125	150	S.F.
Power Factor	56	77	85	87	89	89	88
Efficiency	92.6	94.9	95.3	95	94.6	93.7	94.8
Speed	1793	1787	1781	1775	1769	1762	1771
Line amperes	27.3	38.7	52.1	67.6	83.6	101.3	77.1

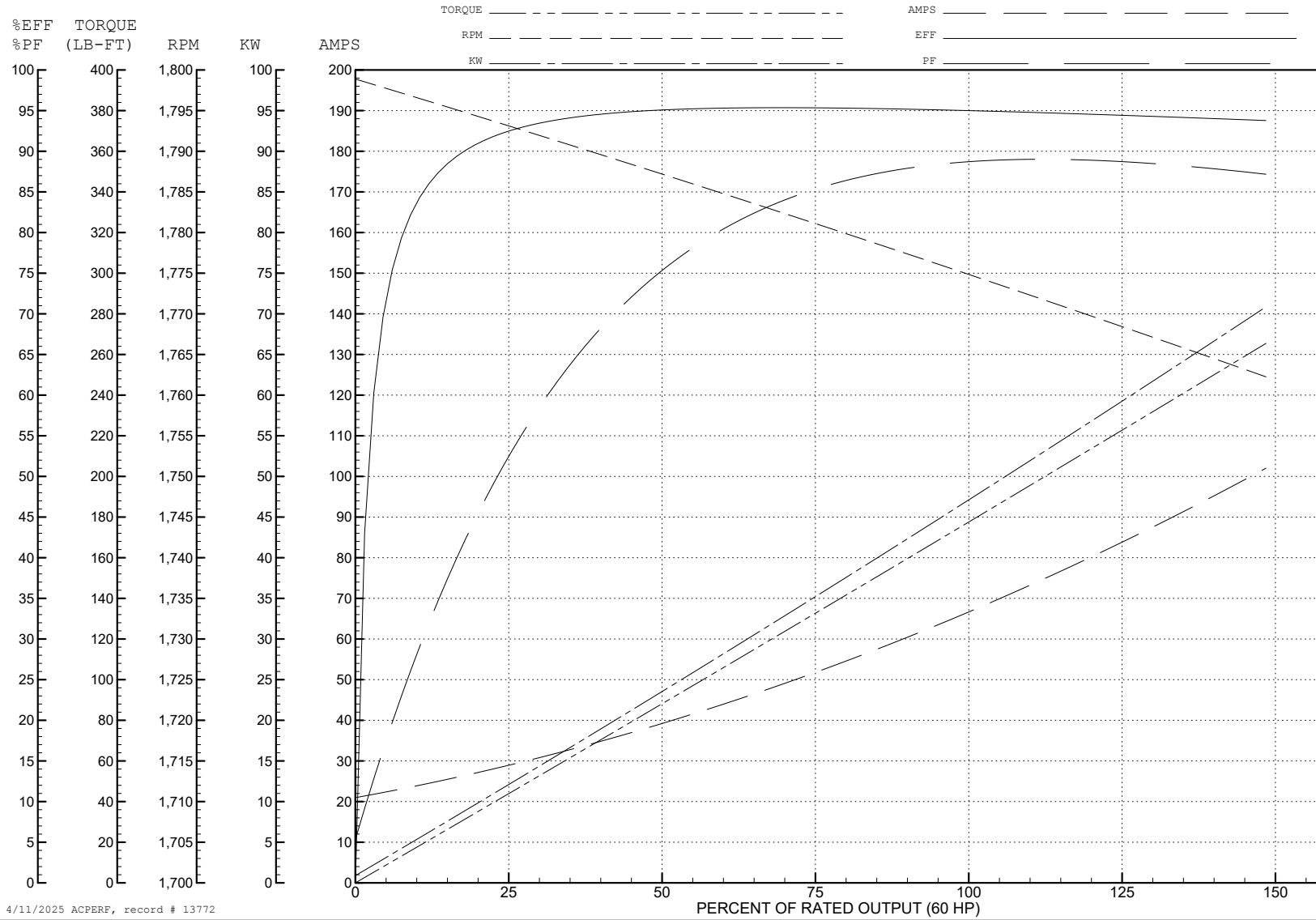
ABB Motors and Mechanical Inc.

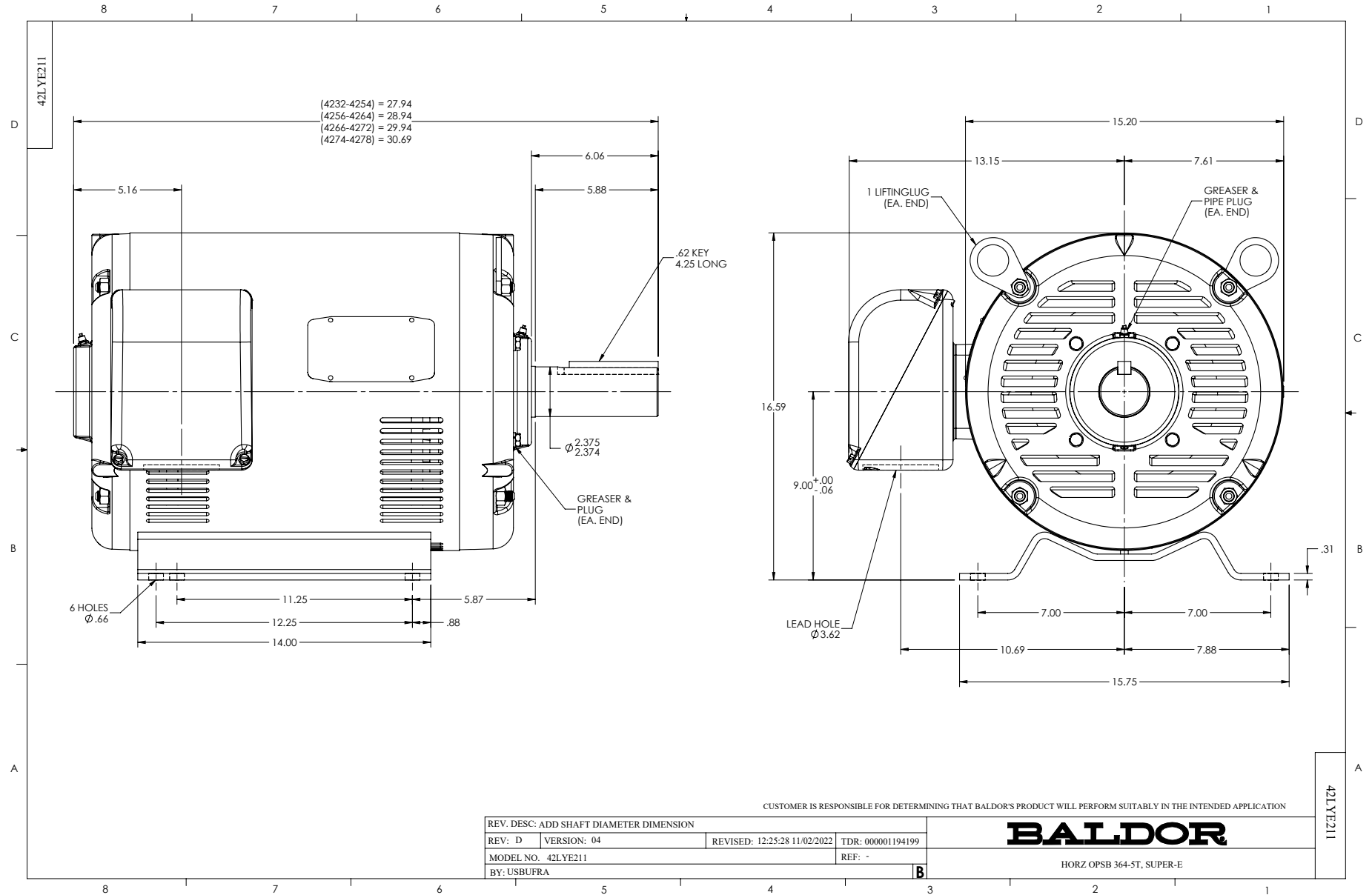
WINDING # 42WGW587

Typical performance - not guaranteed values.

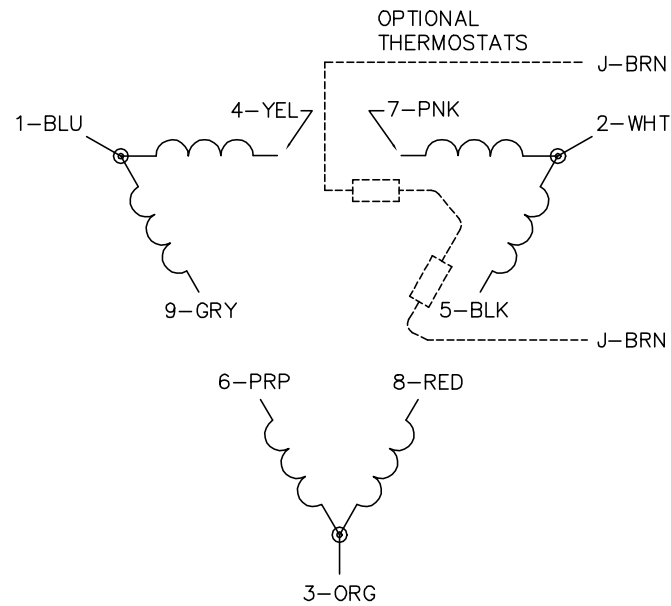
60 HP 3 PH 60 HZ 1775 RPM 460 V 4278M

TORQUES (LB-FT): PO=624 PU=245 LR=314 LRA=470

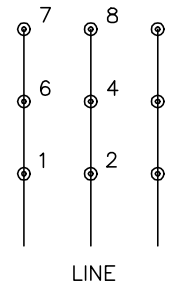




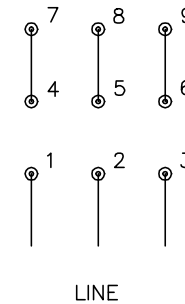
CD0180



LOW VOLTAGE  
(2D)



HIGH VOLTAGE  
(1D)



**NOTES:**

1. INTERCHANGE ANY TWO LINE LEADS TO REVERSE ROTATION.
2. OPTIONAL THERMOSTATS ARE PROVIDED WHEN SPECIFIED.
3. ACTUAL NUMBER OF INTERNAL PARALLEL CIRCUITS MAY BE A MULTIPLE OF THOSE SHOWN ABOVE.
4. LEAD COLORS ARE OPTIONAL. LEADS MUST ALWAYS BE NUMBERED AS SHOWN.

CD0180

REV. DESC: ADD CLASS CONN00000007		
REV. LTR: D	VERSION: 01	TDR: 000001099922
FILE: \AAA\00005\148	REVISED: 10:25:29 02/19/2019	BY: ENBRIRO
MTL: -	© □	

**BALDOR - RELIANCE®**

3PH, DV, 9 LEADS, DELTA CONNECTION

SH 1 of 1