

DUTY MASTER ALTERNATING CURRENT MOTORS

SQUIRREL-CAGE INDUCTION

ENCLOSURE: PROTECTED
MOUNTING: FOOT

FRAMES 404T-405T

COOLING: SELF-VENTILATED

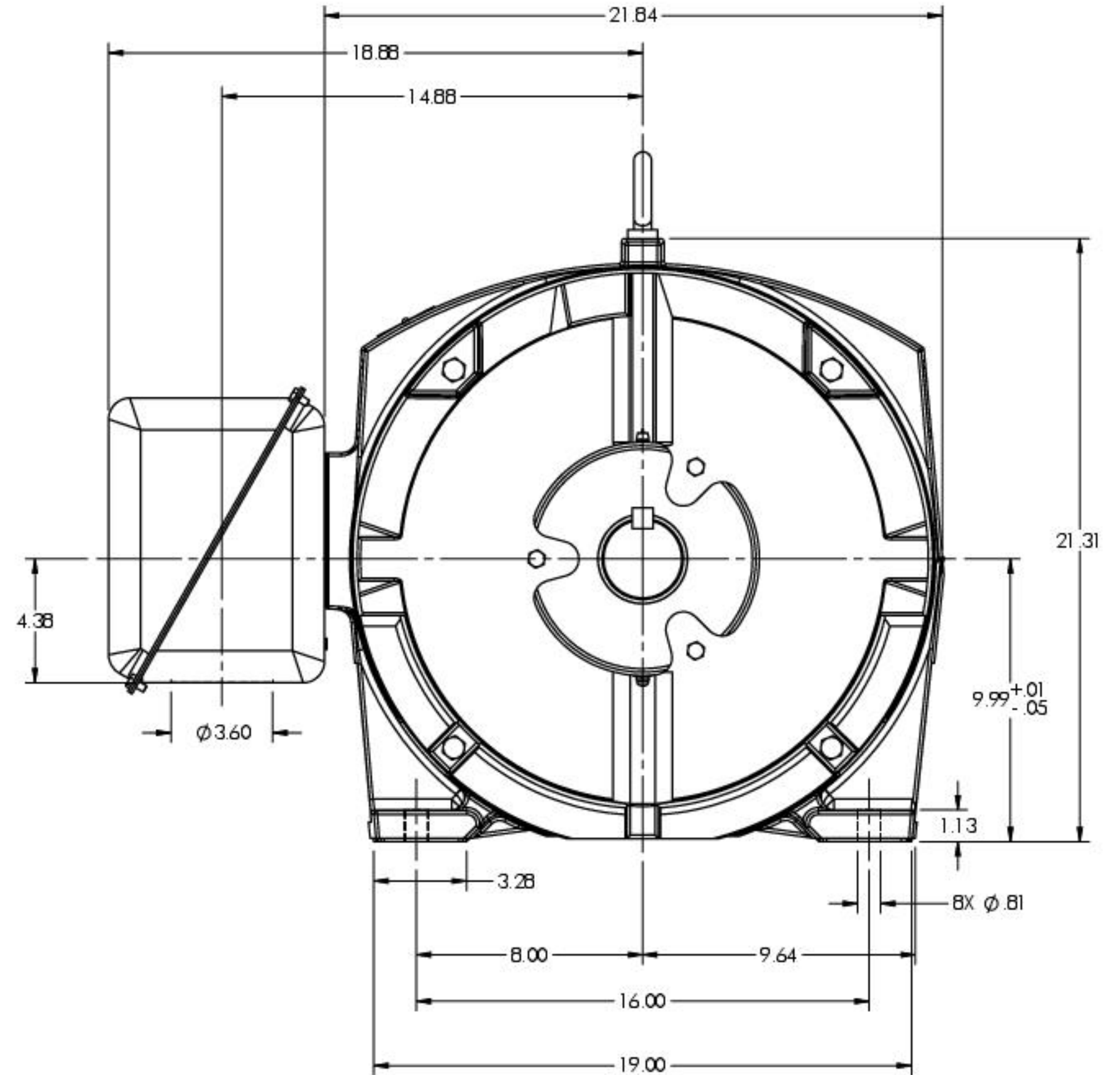
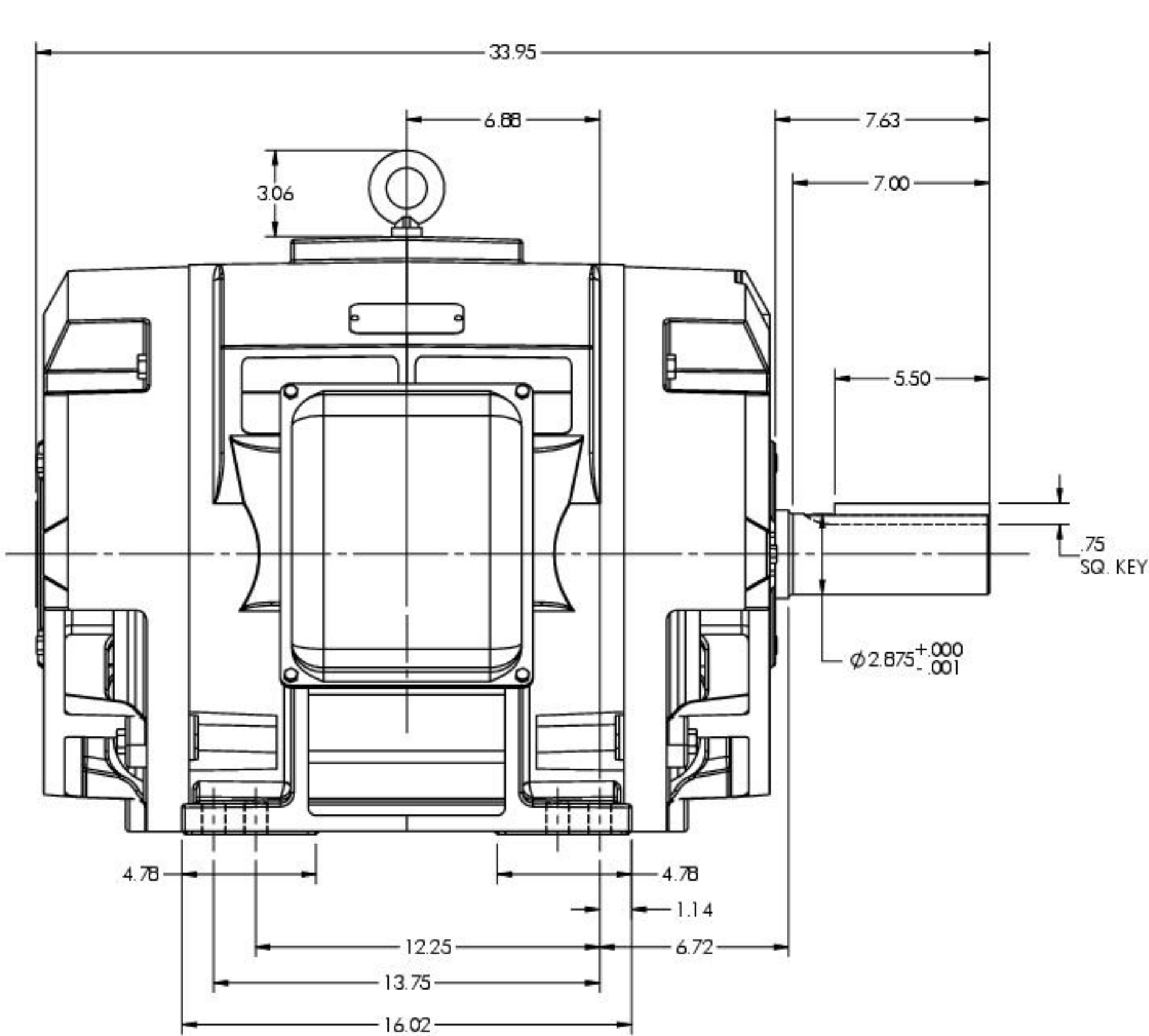
617428-118

D

C

B

A



D

C

B

A

MAXIMUM PERMISSIBLE SHAFT RUNOUT WHEN MEASURED AT END OF SHAFT EXTENSION IS .003 T.I.R.

WEIGHT (LBS): 404T = 1025
405T = 1065

MOTOR WEIGHTS MAY VARY BY 1.5% DEPENDING UPON RATING.

CUSTOMER IS RESPONSIBLE FOR DETERMINING THAT BALDOR'S PRODUCT WILL PERFORM SUITABLY IN THE INTENDED APPLICATION

REV. DESC: NEW TO REPLACE 404-5T ON 611750-001			
REV: -	VERSION: 00	REVISED: 02:31:35 07/12/2022	TDR: 000001193529
MODEL NO. 617428-118		REF: -	
BY: USBUFRA			B

BALDOR

DIM SHT PRO T SV FT 404-5T (611750-001)

617428-118

B 7 6 5 4 3 2 1