

**BALDOR • RELIANCE**

---

# Customer information packet

## EM2548T-4CI

60HP, 1185RPM, 3PH, 60HZ, 404T, M400MAG, OPEN,  
Class - None  
Division - Not Applicable

## Specifications

Enclosure	DP
Frame	404T
Frame Material	Iron
Frequency	60.00 Hz
Haz Area Class and Group	None
Haz Area Division	Not Applicable
Motor Letter Type	Three Phase
Output @ Frequency	60.000 HP @ 60 HZ
Phase	3
Synchronous Speed @ Frequency	1200 RPM @ 60 HZ
Voltage @ Frequency	460.0 V @ 60 HZ
Agency Approvals	CCSA US CCSAUSEEV CSA EEV
Ambient Temperature	40 °C
Auxillary Box	No Auxillary Box
Base Indicator	Rigid
Bearing Grease Type	Polyrex EM (-20F +300F)
Current @ Voltage	70.400 A @ 460.0 V
Design Code	B
Drip Cover	No Drip Cover
Duty Rating	CONT
Efficiency @ 100% Load	95.0 %
Feedback Device	NO FEEDBACK
Heater Indicator	No Heater
High Voltage Full Load Amps	70.4 a
Insulation Class	F
Inverter Code	Inverter Ready
KVA Code	G
Lifting Lugs	No Lifting Lugs
Motor Lead Quantity/Wire Size	6 @ 6 AWG
Motor Standards	NEMA

## Part detail

Revision	M
Type	AC
Mech. spec.	
Base	
Status	PRD/A
Elec. spec.	A40WG0475
Layout	617428-118
Eff. date	04-05-2024
CD Diagram	416820-008
Poles	06
Leads	6#6
Proprietary	False
Created date	10-19-2010

<b>Motor Type</b>	A40052M
<b>Mounting Arrangement</b>	F1
<b>Number of Poles</b>	6
<b>Overall Length</b>	33.95 IN
<b>Power Factor</b>	84
<b>Pulley End Bearing Type</b>	Ball
<b>Pulley Face Code</b>	C-Face
<b>Service Factor</b>	1.15
<b>Shaft Diameter</b>	2.875 IN
<b>Shaft Ground Indicator</b>	No Shaft Grounding
<b>Shaft Rotation</b>	Reversible
<b>Shaft Slinger Indicator</b>	No Slinger
<b>Speed</b>	1185 rpm
<b>Speed Code</b>	Single Speed
<b>Starting Method</b>	Wye Start - Delta Run
<b>Thermal Device - Bearing</b>	None
<b>Thermal Device - Winding</b>	None

**Nameplate**

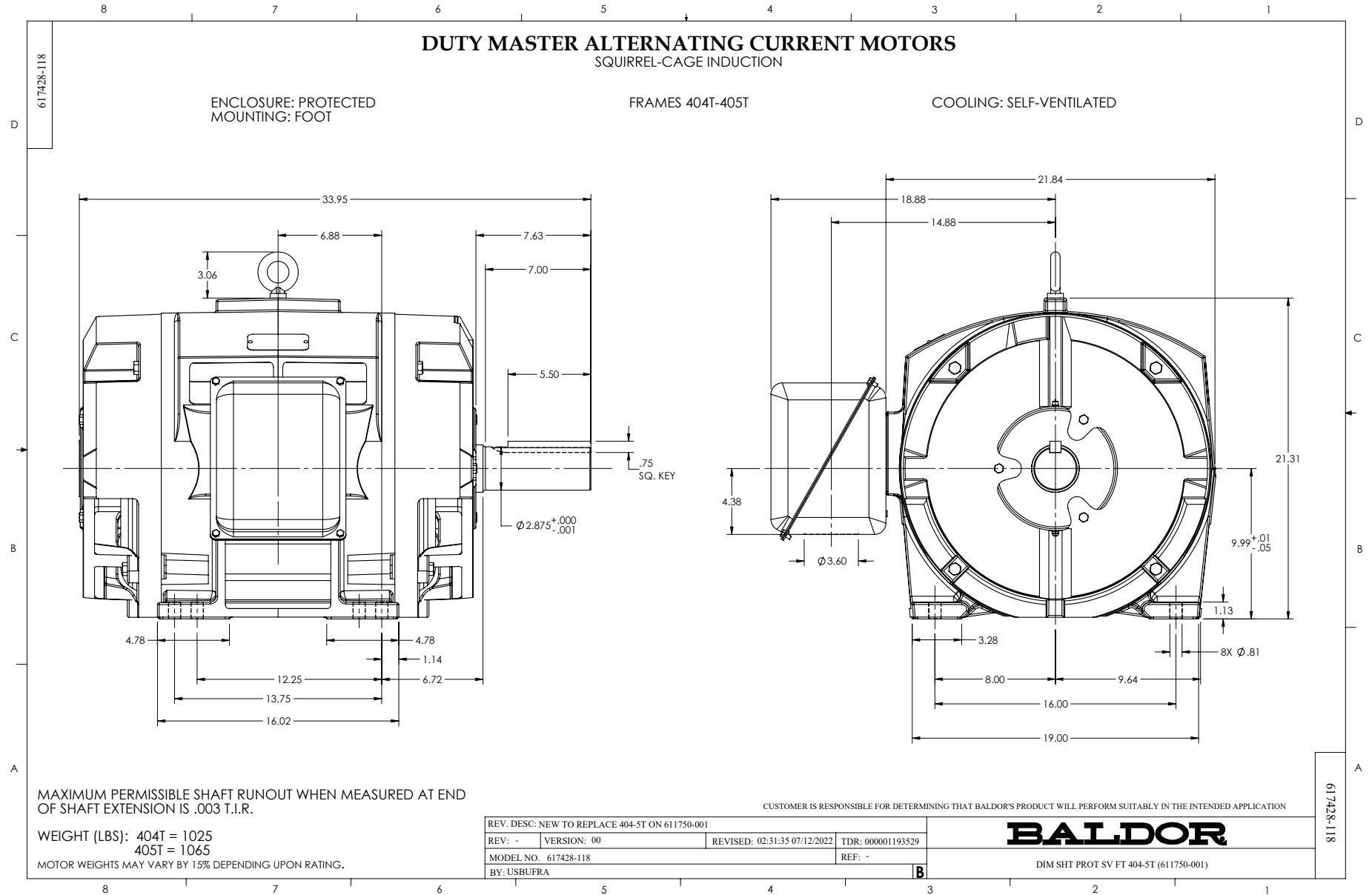
**NP2381L**

<b>SPEC NO.</b>	P40G4411	<b>CAT.NO.</b>	EM2548T-4CI	<b>FRAME</b>	404T
<b>HP</b>	60	<b>PHASE</b>	3	<b>DESIGN</b>	B
		<b>TYPE</b>	P		
<b>RPM</b>	1185	<b>HZ</b>	60	<b>AMB</b>	40
		<b>SF</b>	1.15		
<b>VOLTS</b>	460	<b>DUTY</b>	CONT	<b>INSUL.CLASS</b>	F
<b>AMPS</b>	70.4	<b>ENCL</b>	DP	<b>CODE</b>	G
<b>DRIVE END BEARING</b>	80BC03J30X	<b>NEMA-NOM-EFFICIENCY</b>	95		
<b>OPP D.E. BEARING</b>	80BC03J30X				
<b>SER.NO.</b>					
				<b>MOTOR WEIGHT</b>	







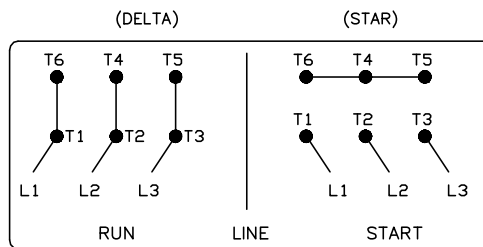
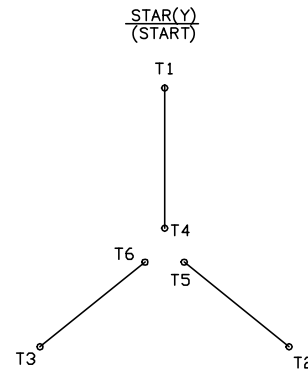
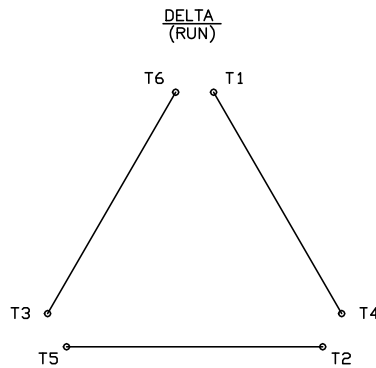


416820-008

# A-C MOTOR CONNECTION DIAGRAM

STANDARD 6 LEAD

Y START - DELTA RUN



< N. P. 1767-DC >

REV. DESC: ADDED T4 TO Y CONNECT DIAGRAM		
REV. LTR: D	VERSION: 04	TDR: 00000847713
FILE: \RAG\00001\808	REVISED: 10: 41: 26 04/08/2014	BY: RAGJSS1
MTL: -	© □	

**BALDOR**

CONNECT DIAGRAM STD 6 LEAD Y START DELTA RUN

SH 1 of 1

416820-008