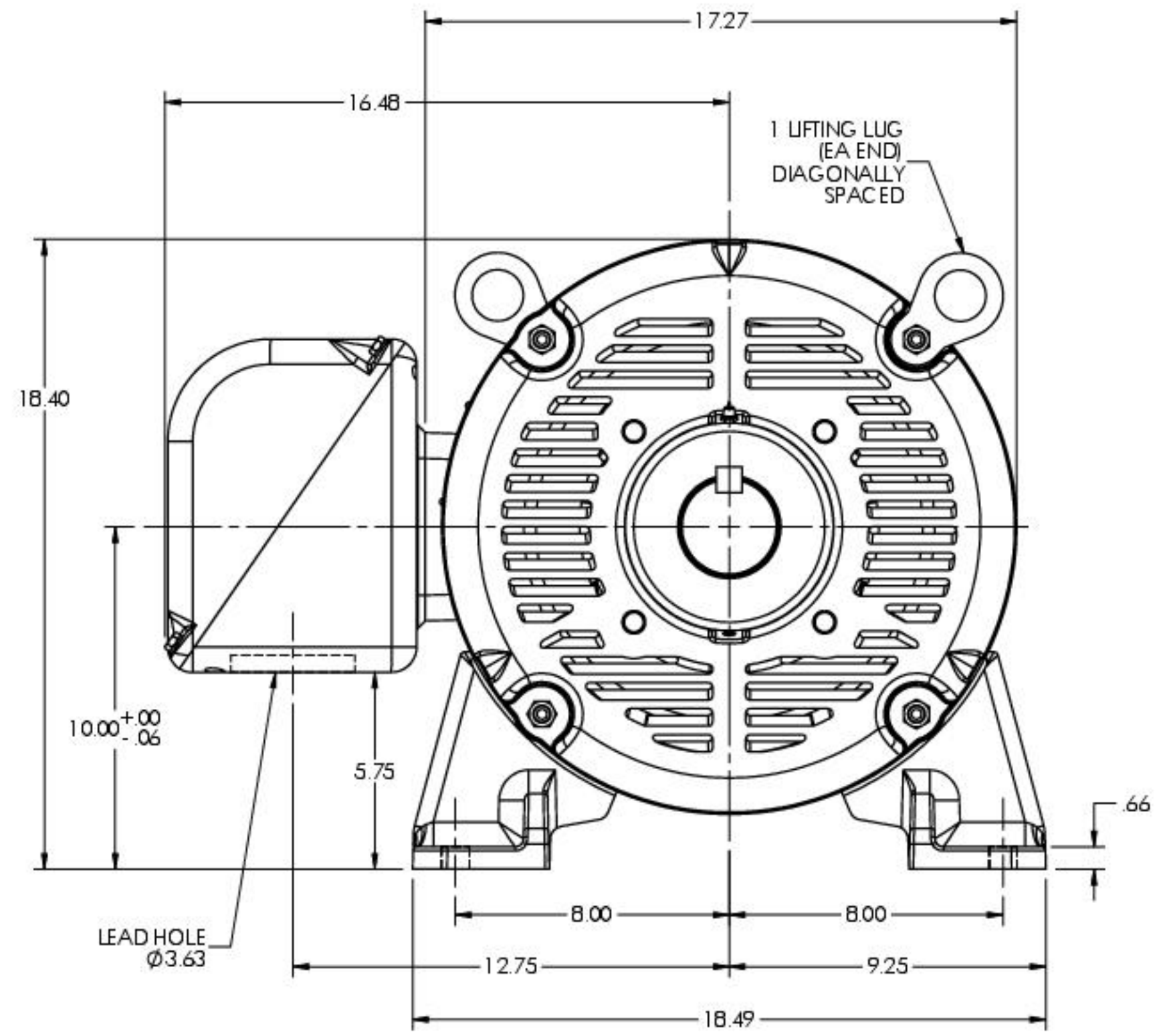
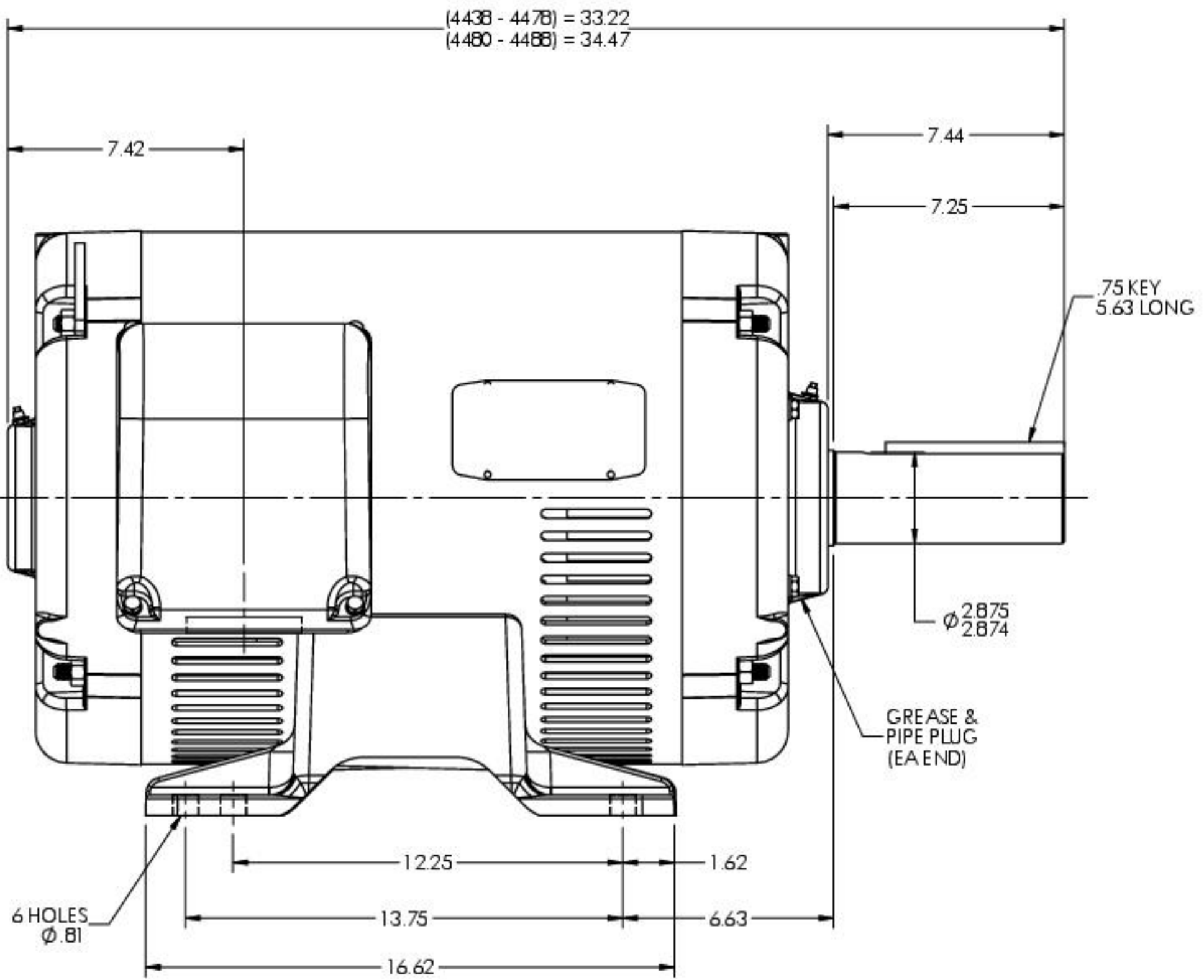


44LYE057

D  
C  
B  
A



D  
C  
B  
A

44LYE057

CUSTOMER IS RESPONSIBLE FOR DETERMINING THAT BALDOR'S PRODUCT WILL PERFORM SUITABLY IN THE INTENDED APPLICATION

REV. DESC: CONVERT STOCK LAYOUTS FROM AUTOCAD TO SWD			
REV: C	VERSION: 02	REVISED: 04:54:09 12/14/2023	TDR: 000001220227
MODEL NO. 44LYE057			REF: -
BY: USALMAZ			<b>B</b>

**BALDOR**

HORZ OPSB 404-ST W44AD2003

8 7 6 5 4 3 2 1