

BALDOR® • RELIANCE 

Product Information Packet

EM2551T-CI

75HP,1780RPM,3PH,60HZ,365T,ODP,FOOT,

Part Detail							
Revision:	N	Status:	PRD/A	Change #:		Proprietary:	No
Type:	AC	Elec. Spec:	A36WG0189	CD Diagram:	416820-002	Mfg Plant:	
Mech. Spec:		Layout:	617428-116	Poles:	04	Created Date:	10-19-2010
Base:		Eff. Date:	02-24-2017	Leads:	3#4,6#6		

Specs			
Catalog Number:	EM2551T-CI	Feedback Device:	NO FEEDBACK
Enclosure:	DP	Heater Indicator:	No Heater
Frame:	365T	Insulation Class:	F
Frame Material:	Iron	Inverter Code:	Inverter Ready
Output @ Frequency:	75.000 HP @ 60 HZ	KVA Code:	G
Synchronous Speed @ Frequency:	1800 RPM @ 60 HZ	Lifting Lugs:	No Lifting Lugs
Voltage @ Frequency:	230.0 V @ 60 HZ	Motor Lead Quantity/Wire Size:	3 @ 4 AWG
	460.0 V @ 60 HZ	Motor Type:	A36056M
XP Class and Group:	None	Mounting Arrangement:	F1
XP Division:	Not Applicable	Power Factor:	86
Agency Approvals:	CCSA US	Pulley End Bearing Type:	Ball
	CSA EEV	Pulley Face Code:	P-Base
Auxillary Box:	No Auxillary Box	Shaft Ground Indicator:	No Shaft Grounding
Base Indicator:	Rigid	Shaft Rotation:	Reversible
Bearing Grease Type:	Polyrex EM (-20F +300F)	Shaft Slinger Indicator:	No Slinger
Current @ Voltage:	173.000 A @ 230.0 V	Speed Code:	Single Speed
	86.500 A @ 460.0 V	Motor Standards:	NEMA
Design Code:	B	Starting Method:	Direct on line

Drip Cover:	No Drip Cover	Thermal Device - Bearing:	NONE (OLD)
Duty Rating:	CONT	Thermal Device - Winding:	None

Nameplate NP2377L									
CAT.NO.	EM2551T-CI	SPEC NO.	P36G52						
HP	75	AMPS	173/86.5	VOLTS	230/460	DESIGN	B		
FRAME	365T	RPM	1780	HZ	60	AMB	40	SF	1.15
DRIVE END BEARING	65BC03J30X	PHASE	3	DUTY	CONT	INSUL.CLASS	F		
OPP D.E. BEARING	65BC03J30X	TYPE	P	ENCL	DP	CODE	G		
SER.NO.		POWER FACTOR	86	NEMA-NOM-EFFICIENCY	95				
				MAX CORR KVAR	15.0	GUARANTEED EFFICIENCY	94.5		
				NEMA NOM/CSA QUOTED EFF					
				MOTOR WEIGHT	762				

Parts List		
Part Number	Description	Quantity
SA209141	SA P36G52	1.000 EA
RA196403	RA P36G52	1.000 EA
000613006PU	N/P (RELEASE QTY 10,000) UL CSA LABEL	1.000 EA
000692000VD	LABEL WARNING	1.000 EA
NP2377L	SS SUPER-E CC CSA-C US CSA-EEV (LASER)	1.000 EA
004824015A	GREASE POLYREX EM	0.544 LB
032018024CK	HHCS 3/8-16X3 PLTD.	3.000 EA
032018028DK	HHCS 1/2-13X3-1/2 PLTD.	4.000 EA
032376004JB	RHMS 10-32X1/2PLTD-360	3.000 EA
034001009AB	WSHR #10 PLATED-360	3.000 EA
034690002AB	PPLG 1/4" PLTD.	1.000 EA
078556001A	BAFFL 360 SUB PAINT	1.000 EA
085920052A	BRKT 360 085920051WCC KB	1.000 EA
410700004F	WSHR	1.000 EA
032018024CK	HHCS 3/8-16X3 PLTD.	3.000 EA
032018028DK	HHCS 1/2-13X3-1/2 PLTD.	4.000 EA
032376004JB	RHMS 10-32X1/2PLTD-360	3.000 EA
034001009AB	WSHR #10 PLATED-360	3.000 EA
034017009AB	LCKW NO.10 PLATED-360	3.000 EA
035000001A	ALFTG 1/8" 1610-BL	1.000 EA
035000001A	ALFTG 1/8" 1610-BL	1.000 EA
034017009AB	LCKW NO.10 PLATED-360	3.000 EA
034690002AB	PPLG 1/4" PLTD.	1.000 EA
078556001A	BAFFL 360 SUB PAINT	1.000 EA

Parts List (continued)		
Part Number	Description	Quantity
085920052A	BRKT 360 085920051WCC KB	1.000 EA
032018010CK	HHCS 3/8-16X1-1/4 PLTD.	4.000 EA
033512006LB	HHTTS 1/4-20X3/4 PLTD.	4.000 EA
048897010DG	PLUG,ODE BRKT - 360	1.000 EA
065776000C	TERBD 320-400	1.000 EA
067053000B	GASK 320-400	1.000 EA
076708000BB	C/B - 360	1.000 EA
076709000A	C/B Cover - 360	1.000 EA
14PA1000	PACKAGING 314 GROUP COMBINED PRINT	1.000 EA
415000103H	415000103H	1.000 EA
033775004EA	DRSCR #6-1/4 304 S.S.	2.000 EA
034180034HA	KEY 5/8X5/8X4-1/4 L	1.000 EA
MG1025Y17	WILKOFASST, 789.701, SUPER E PEARL GOLD	0.250 GA
421948032	LABEL, MYLAR	1.000 EA
032018005DL	1/2-13 X 5/8 SILICON BRONZE HHCS	1.000 EA

REL. S.O.	FRAME	HP	TYPE	PHASE/HERTZ	RPM	VOLTS
	365T	75	P	3/60	1780	230/460
AMPS	DUTY	AMB °C/ INSUL.	S.F.	NEMA DESIGN	CODE LETTER	ENCL.
173/86.5	CONT	40/F	1.15	B	G	PROT
E/S	ROTOR	TEST S.O.	TEST DATE	STATOR RES. @25 °C (BETWEEN LINES)		
492092	418141-34-YE	---	---	.0225/.0903		

PERFORMANCE

LOAD	HP	AMPERES	RPM	POWER FACTOR %	EFFICIENCY %
NO LOAD	0	30.4	1800	3.67	0
1/4	18.8	36.6	1796	51.5	93.2
2/4	37.5	50.1	1791	73.5	95.3
3/4	56.2	67.2	1786	82.1	95.4
4/4	75.0	86.5	1781	85.5	95.0
5/4	93.8	108	1775	86.5	94.3

SPEED TORQUE

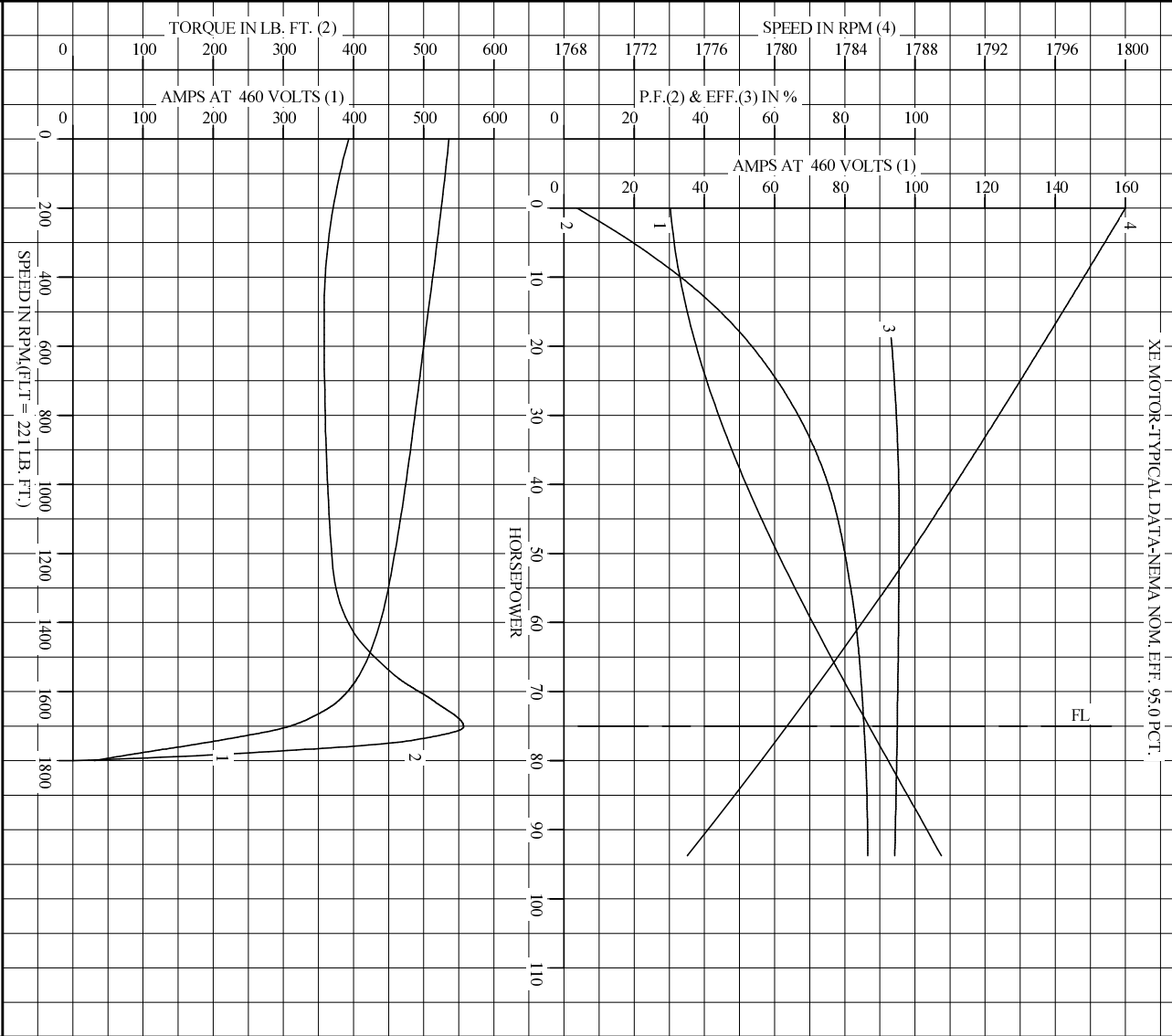
	RPM	TORQUE % FULL LOAD	TORQUE LB.-FT.	AMPERES
LOCKED ROTOR	0	178	393	536
PULL UP	506	162	358	506
BREAKDOWN	1701	252	557	307
FULL LOAD	1781	100	221	86.5

AMPERES SHOWN FOR 460. VOLT CONNECTION. IF OTHER VOLTAGE CONNECTIONS ARE AVAILABLE, THE AMPERES WILL VARY INVERSELY WITH THE RATED VOLTAGE

REMARKS: TYPICAL DATA
XE MOTOR-TYPICAL DATA-NEMA NOM. EFF. 95.0 PCT.

BALDOR	DR. BY P. B. GREENE	A-C MOTOR PERFORMANCE DATA
	CK. BY K. W. KANOUFF APP. BY K. W. KANOUFF DATE 07/26/90	
		A36WG0189-R001 ISSUE DATE 12/14/10

REL. S.O. _____ RPM 1780 S.F. 1.15 ROTOR 418141-34-YE
 FRAME 365T VOLTS 230/460 NEMA DESIGN B TEST S.O. TYPICAL DATA
 HP 75 AMPS 173/86.5 CODE LETTER G TEST DATE ---
 TYPE P DUTY CONT ENCLOSURE PROT STATOR RES. @ 25 °C .0225/.0903
 PHASE/HERTZ 3/60 AMB °C/INSUL 40/F E/S 492092 OHMS (BETWEEN LINES)



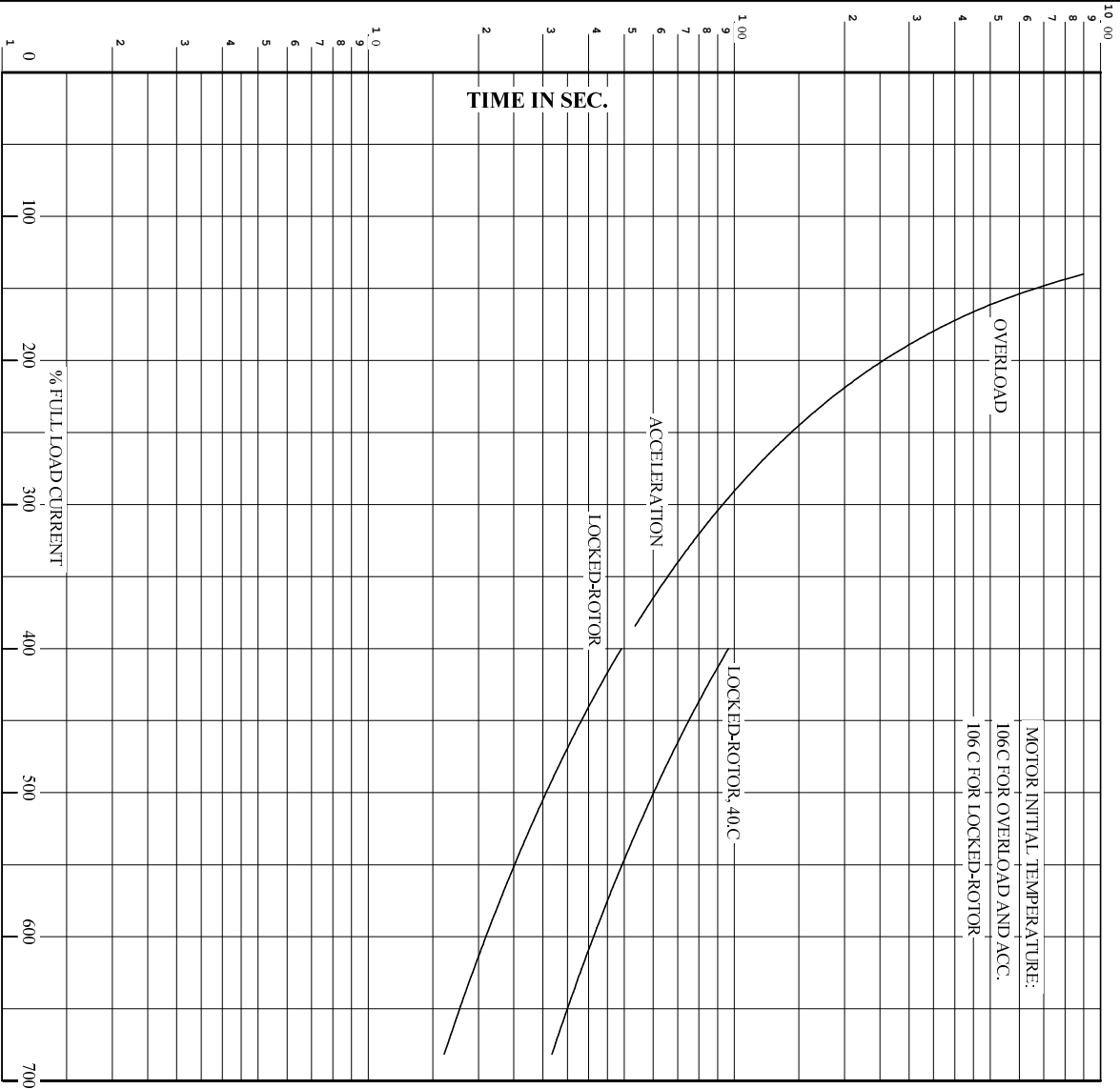
AMPERES SHOWN FOR 460 VOLT CONNECTION, IF OTHER VOLTAGE CONNECTIONS ARE AVAILABLE, THE AMPERES WILL VARY INVERSELY WITH THE RATED VOLTAGE.

DR. BY P.B. GREENE
 CK. BY K.W. KANDOFF
 App. BY K.W. KANDOFF
 DATE 07/26/00

A-C MOTOR PERFORMANCE CURVES A36WG0189-R001
 ISSUE DATE 12/14/10

Printed on 12/14/10 10:45 @ psecs-motorengr

RET. S.O. RPM 1780 S.F. 1.15 ROTOR 418141-34-YE
 FRAME 365T VOLTS 230/460 NEMA DESIGN B TEST S.O. TYPICAL DATA
 HP 75 AMPS 173/86.5 CODE LETTER G TEST DATE ---
 TYPE P DUTY CONT ENCLOSURE PROT STATOR RES. @ 25 °C .0225/.0903
 PHASE/HERTZ 3/60 AMB °C/INSUL 40/F E/S 492092 OHMS (BETWEEN LINES)



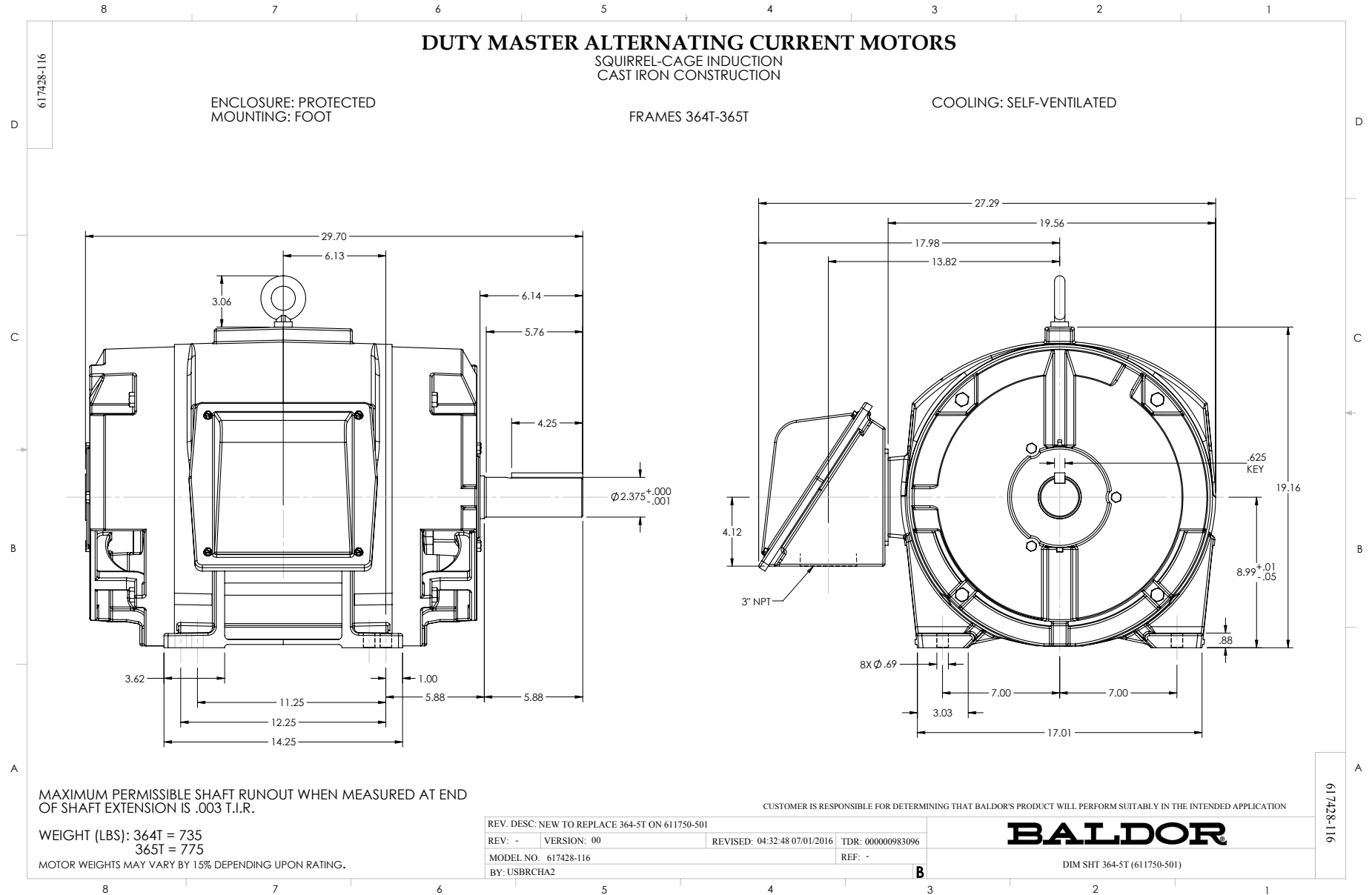
REMARKS: THERMAL LIMIT CURVE
 XE MOTOR-TYPICAL DATA-NEMA NOM. EFF. 95.0 PCT.

AMPERES SHOWN FOR 460 VOLT CONNECTION, IF OTHER VOLTAGE CONNECTIONS ARE AVAILABLE, THE AMPERES WILL VARY INVERSELY WITH THE RATED VOLTAGE.



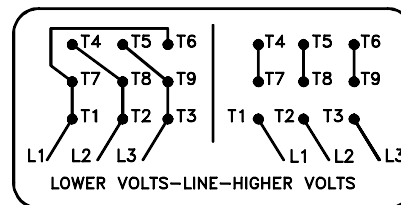
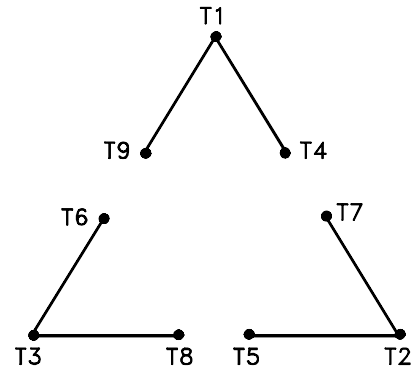
DR. BY P.B. GREENE
 CK. BY K.W. KANOLFF
 App. BY K.W. KANOLFF
 DATE 07/26/90

A-C MOTOR
PERFORMANCE
CURVES
 A36WG0189-R001
 ISSUE DATE 12/14/10



416820-002

A-C MOTOR
 CONNECTION DIAGRAM
 STANDARD 9 LEAD DELTA-CONNECTED



(N.P. 1575-B)

416820-002

REV. DESC: LOADED TO BUS, C/R 335225		
REV. LTR: -	VERSION: 00	TDR: 000000538207
FILE: \MGA\00000\661	REVISED: 10: 47: 51 04/30/2010	
MTL: -	BY: RAGRA	

BALDOR

CONN DIAG - STANDARD 9 LEAD, DELTA-CONNECTED

SH 1 of 1

Marketing maintained PDF of MN408:

<http://www.baldor.com/support/Literature/Load.ashx/MN408?ManNumber=MN408>

Marketing maintained PDF of MN416:

<http://www.baldor.com/support/Literature/Load.ashx/MN416?ManNumber=MN416>