

DUTY MASTER ALTERNATING CURRENT MOTORS

SQUIRREL-CAGE INDUCTION
CAST IRON CONSTRUCTION

FRAMES 404TS-405TS

COOLING: SELF-VENTILATED

ENCLOSURE: PROTECTED
MOUNTING: FOOT

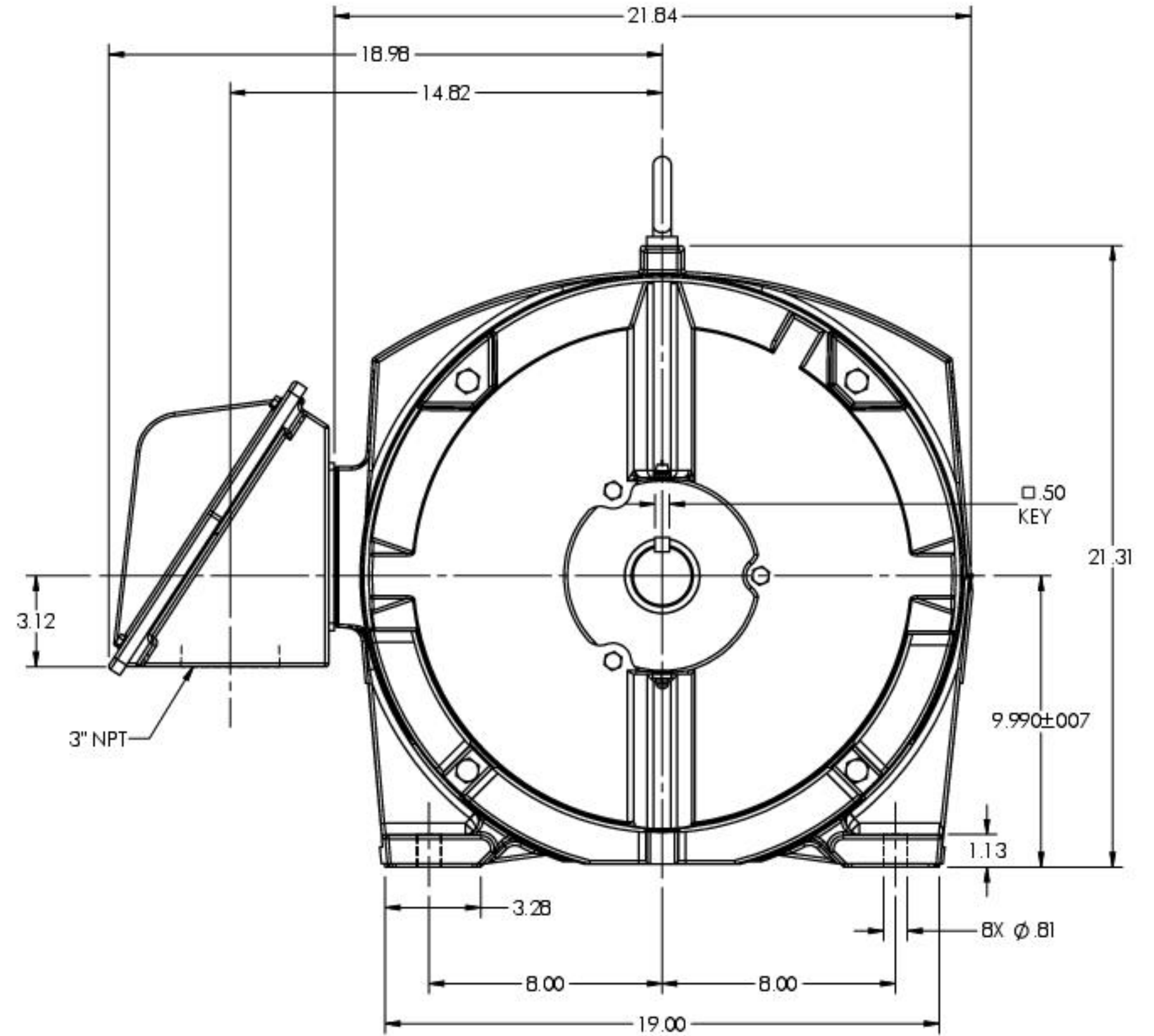
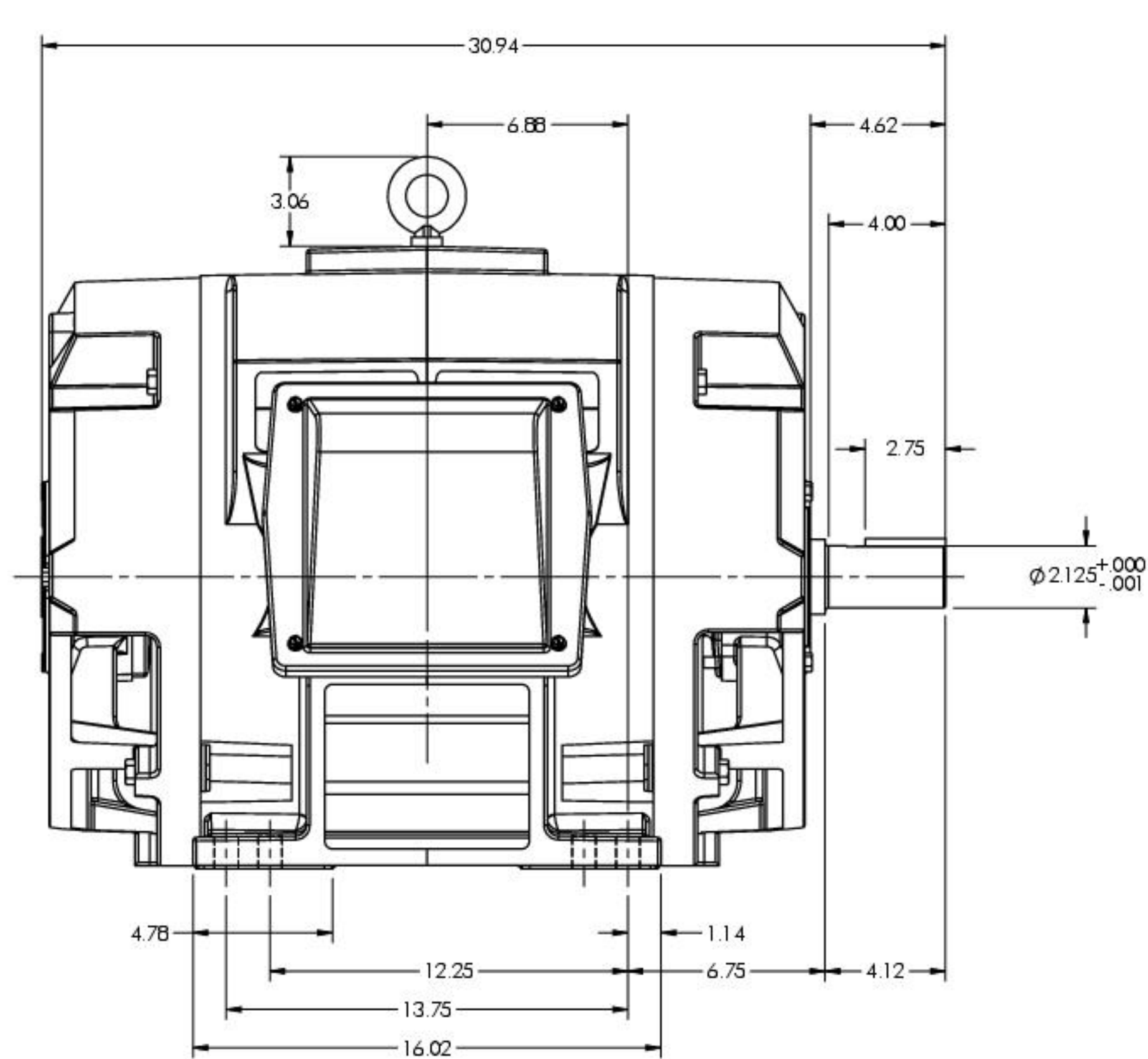
617428-120

D

C

B

A



D

C

B

A

MAXIMUM PERMISSIBLE SHAFT RUNOUT WHEN MEASURED AT END OF SHAFT EXTENSION IS .003 T.I.R.

WEIGHT (LBS): 404TS = 1040
405TS = 1080

MOTOR WEIGHTS MAY VARY BY 1.5% DEPENDING UPON RATING.

CUSTOMER IS RESPONSIBLE FOR DETERMINING THAT BALDOR'S PRODUCT WILL PERFORM SUITABLY IN THE INTENDED APPLICATION

REV. DESC: NEW TO REPLACE 404-5 TS ON 611750-501			
REV: -	VERSION: 00	REVISED: 08:05:20 06/09/2016	TDR: 00000098 3687
MODEL NO. 617428-120		REF: -	
BY: ENWINBO			B

BALDOR

DIM SHT 404-5TS (611750-501)

617428-120

B 7 6 5 4 3 2 1