



Customer information packet

EM2554T-4CI

125HP, 3565RPM, 3PH, 60HZ, 404TS, ODP, FOOT,
Class - None
Division - Not Applicable

Specifications

Enclosure	DP
Frame	404TS
Frame Material	Iron
Frequency	60.00 Hz
Haz Area Class and Group	None
Haz Area Division	Not Applicable
Motor Letter Type	Three Phase
Output @ Frequency	125.000 HP @ 60 HZ
Phase	3
Synchronous Speed @ Frequency	3600 RPM @ 60 HZ
Voltage @ Frequency	460.0 V @ 60 HZ
Agency Approvals	CCSA US CCSAUSEEV CSA EEV
Ambient Temperature	40 °C
Auxillary Box	No Auxillary Box
Base Indicator	Rigid
Bearing Grease Type	Polyrex EM (-20F +300F)
Current @ Voltage	143.000 A @ 460.0 V
Design Code	B
Drip Cover	No Drip Cover
Duty Rating	CONT
Efficiency @ 100% Load	95.0 %
Feedback Device	NO FEEDBACK
Heater Indicator	No Heater
High Voltage Full Load Amps	143.0 a
Insulation Class	F
Inverter Code	Inverter Ready
KVA Code	F
Lifting Lugs	No Lifting Lugs
Motor Lead Quantity/Wire Size	3 @ 2 AWG
Motor Standards	NEMA

Part detail

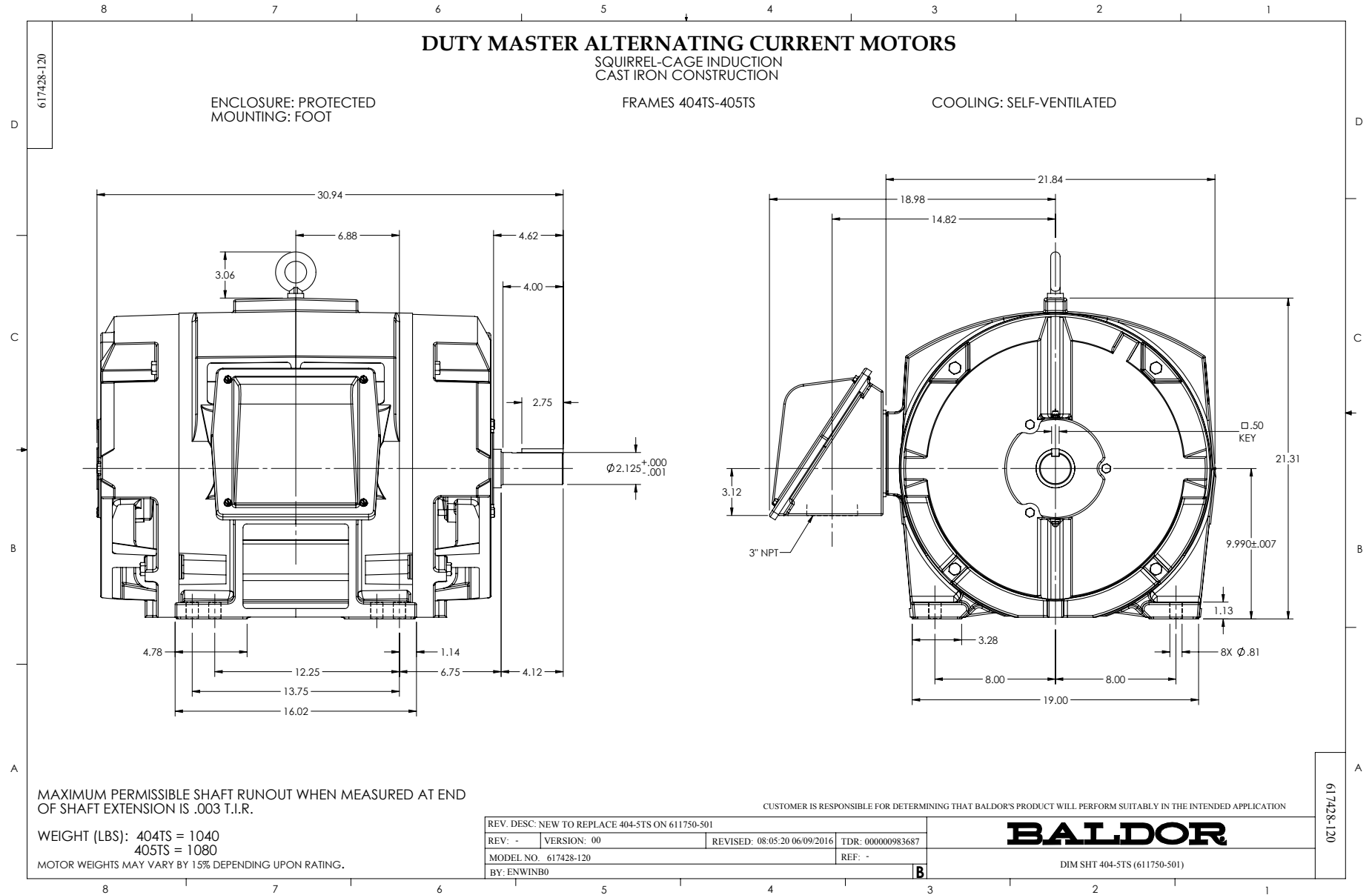
Revision	K
Type	AC
Mech. spec.	
Base	
Status	PRD/A
Elec. spec.	A40WG0224
Layout	617428-120
Eff. date	09-04-2024
CD Diagram	416820-036
Poles	02
Leads	3#2
Proprietary	False
Created date	10-19-2010

Motor Type	A40048M
Mounting Arrangement	F1
Number of Poles	2
Power Factor	86
Pulley End Bearing Type	Ball
Pulley Face Code	C-Face
Service Factor	1.15
Shaft Diameter	2.125 IN
Shaft Ground Indicator	No Shaft Grounding
Shaft Rotation	Reversible
Shaft Slinger Indicator	No Slinger
Speed	3565 rpm
Speed Code	Single Speed
Starting Method	Direct on line
Thermal Device - Bearing	None
Thermal Device - Winding	None

Nameplate

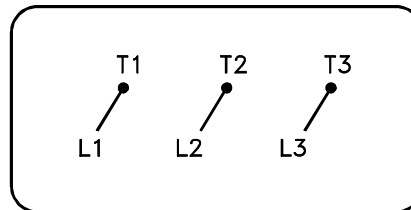
NP2349L

SPEC NO.	P40G295	CAT.NO.	EM2554T-4CI	FRAME	404TS
HP	125	VOLTS	460	PHASE	3
RPM	3565	AMPS	143	DESIGN	B
DRIVE END BEARING	65BC03J30X	DUTY	CONT	TYPE	P
OPP D.E. BEARING	65BC03J30X	ENCL	DP	INSUL.CLASS	F
SER.NO.		CODE	F	HZ	60
		POWER FACTOR	86	AMB	40
				SF	1.15
				NEMA-NOM-EFFICIENCY	95
				MAX CORR KVAR	25.0
				GUARANTEED EFFICIENCY	94.5
				NEMA NOM/CSA QUOTED EFF	
				MOTOR WEIGHT	



416820-036

A-C MOTOR
CONNECTION DIAGRAM
STANDARD 3 LEAD CONNECTED



(N.P. 1575-BA)

416820-036

REV. DESC: LOADED TO BUS, C/R 335225		
REV. LTR: -	VERSION: 00	TDR: 000000538207
FILE: \MGA\00000\682	REVISED: 11:54:06 04/30/2010	
MTL: -	BY: RAGRA	

BALDOR

CONN DIAG - STANDARD 3 LEAD
SH 1 of 1