

BALDOR® • RELIANCE 

Product Information Packet

EM2555T-CI

100HP, 1785RPM, 3PH, 60HZ, 404T, ODP, FOOT,

Part Detail							
Revision:	M	Status:	PRD/A	Change #:		Proprietary:	No
Type:	AC	Elec. Spec:	A40WG0707	CD Diagram:	416820-002	Mfg Plant:	
Mech. Spec:		Layout:	611750-501	Poles:	04	Created Date:	02-03-2011
Base:		Eff. Date:	10-19-2017	Leads:	3#2,6#4		

Specs			
Catalog Number:	EM2555T-CI	Feedback Device:	NO FEEDBACK
Enclosure:	DP	Heater Indicator:	No Heater
Frame:	404T	Insulation Class:	F
Frame Material:	Iron	Inverter Code:	Inverter Ready
Output @ Frequency:	100.000 HP @ 60 HZ	KVA Code:	G
Synchronous Speed @ Frequency:	1800 RPM @ 60 HZ	Lifting Lugs:	Standard Lifting Lugs
Voltage @ Frequency:	230.0 V @ 60 HZ	Motor Lead Quantity/Wire Size:	3 @ 2 AWG
	460.0 V @ 60 HZ	Motor Type:	A40052M
XP Class and Group:	None	Mounting Arrangement:	F1
XP Division:	Not Applicable	Power Factor:	85
Agency Approvals:	CCSA US	Pulley End Bearing Type:	Ball
	CSA EEV	Pulley Face Code:	Standard
Auxillary Box:	No Auxillary Box	Shaft Ground Indicator:	No Shaft Grounding
Base Indicator:	Rigid	Shaft Rotation:	Reversible
Bearing Grease Type:	Polyrex EM (-20F +300F)	Shaft Slinger Indicator:	No Slinger
Current @ Voltage:	115.000 A @ 460.0 V	Speed Code:	Single Speed
	230.000 A @ 230.0 V	Motor Standards:	NEMA
Design Code:	B	Starting Method:	Direct on line

Drip Cover:	No Drip Cover	Thermal Device - Bearing:	NONE (OLD)
Duty Rating:	CONT	Thermal Device - Winding:	None

Nameplate NP2383L										
CAT.NO.	EM2555T-CI			SPEC NO.	P40G297					
HP	100	AMPS	230/115		VOLTS	230/460		DESIGN	B	
FRAME	404T	RPM	1785	HZ	60	AMB	40	SF	1.15	
DRIVE END BEARING	80BC03J30X		PHASE	3	DUTY	CONT		INSUL.CLASS	F	
OPP D.E. BEARING	80BC03J30X		TYPE	P	ENCL	DP	CODE	G		
SER.NO.				POWER FACTOR	85		NEMA-NOM-EFFICIENCY	95.4		
						MAX CORR KVAR	20.0		GUARANTEED EFFICIENCY	95.0
NEMA NOM/CSA QUOTED EFF						MOTOR WEIGHT				

Parts List		
Part Number	Description	Quantity
SA216611	SA P40G297	1.000 EA
RA203796	RA P40G297	1.000 EA
000613006PU	N/P (RELEASE QTY 10,000) UL CSA LABEL	1.000 EA
000692000VD	LABEL WARNING	1.000 EA
NP2383L	SUPER-E ,SS, CC, CSA-C US, CSA EEV	1.000 EA
421948032	LABEL, MYLAR	1.000 EA
004824015A	GREASE POLYREX EM	1.000 LB
032018010AK	HHCS 1/4-20X1-1/4L PLTD.	4.000 EA
032018020DK	HHCS 1/2-13X2-1/2 PLTD.	2.000 EA
032018026DK	HHCS 1/2-13X3-1/4L PLTD.	2.000 EA
032018030CK	HHCS 3/8-16X3-3/4 PLATED	3.000 EA
034000012AB	WSHR 1/4 STD. PLATED	4.000 EA
034017012AB	LCKW 1/4 STD. PLATED	4.000 EA
034600001AA	BUSH 1/4TO1/8 BLACK	1.000 EA
035000001G	GREASE RELIEF FITTING, ALEMITE 317400	1.000 EA
089407052A	BRKT 400 089407052WCB	1.000 EA
089407052A	BRKT 400 089407052WCB	1.000 EA
405851012AD	SPACE	4.000 EA
410700000DA	WAVY SPRING WASHER	1.000 EA
702609001A	BAFFL 400 SUB PAINT	1.000 EA
032018010AK	HHCS 1/4-20X1-1/4L PLTD.	4.000 EA
032018020DK	HHCS 1/2-13X2-1/2 PLTD.	2.000 EA
032018026DK	HHCS 1/2-13X3-1/4L PLTD.	2.000 EA
032018030CK	HHCS 3/8-16X3-3/4 PLATED	3.000 EA

Parts List (continued)		
Part Number	Description	Quantity
034000012AB	WSHR 1/4 STD. PLATED	4.000 EA
034017012AB	LCKW 1/4 STD. PLATED	4.000 EA
034600001AA	BUSH 1/4TO1/8 BLACK	1.000 EA
035000001G	GREASE RELIEF FITTING, ALEMITE 317400	1.000 EA
405851012AD	SPACE	4.000 EA
702609001A	BAFFL 400 SUB PAINT	1.000 EA
032018010CK	HHCS 3/8-16X1-1/4 PLTD.	4.000 EA
033512008LB	HHTTS 1/4-20X1 PLATED	4.000 EA
035000001A	ALFTG 1/8" 1610-BL	1.000 EA
035000001A	ALFTG 1/8" 1610-BL	1.000 EA
048897010DH	BUSH - 400	1.000 EA
067053000B	GASK 320-400	1.000 EA
076708000BB	C/B - 360	1.000 EA
076709000A	C/B Cover - 360	1.000 EA
065776000C	TERBD 320-400	1.000 EA
415000103H	415000103H	1.000 EA
418150003A	GREASE FITTING CAP	1.000 EA
033775004EA	DRSCR #6-1/4 304 S.S.	2.000 EA
418150003A	GREASE FITTING CAP	1.000 EA
034180044JA	KEY 3/4X3/4X5-1/2 L	1.000 EA
MG1025N19	WILKO 778.50 BLUE GREEN - 55 GAL DRUMS	0.250 GA
004824003CBY	WILKO PAINT 060.02 - ACTIVATOR	0.031 GA
N424003609DBA	LEAD SET 2-1/4-1 AWG 6-DB 400 FR 60 IN	1.000 EA
604797045	STD. 400 FRAME SKID	1.000 EA

032018005DL	1/2-13 X 5/8 SILICON BRONZE HHCS	1.000 EA
-------------	----------------------------------	----------

REL. S.O.	FRAME	HP	TYPE	PHASE/HERTZ	RPM	VOLTS
	404T	100	P	3/60	1785	230/460
AMPS	DUTY	AMB °C/ INSUL.	S.F.	NEMA DESIGN	CODE LETTER	ENCL.
230/115	CONT	40/B	1.15	B	G	PROT
E/S	ROTOR	TEST S.O.	TEST DATE	STATOR RES. @25 °C OHMS (BETWEEN LINES)		
595948	418142-31-NE	---	---	.0132/.0531		

PERFORMANCE

LOAD	HP	AMPERES	RPM	POWER FACTOR %	EFFICIENCY %
NO LOAD	0	40.3	1800	3.80	0
1/4	25.0	48.7	1796	51.7	93.2
2/4	50.0	66.7	1793	73.5	95.4
3/4	74.9	89.5	1789	81.9	95.7
4/4	99.9	115	1785	85.2	95.4
5/4	125	143	1780	86.2	94.9

SPEED TORQUE

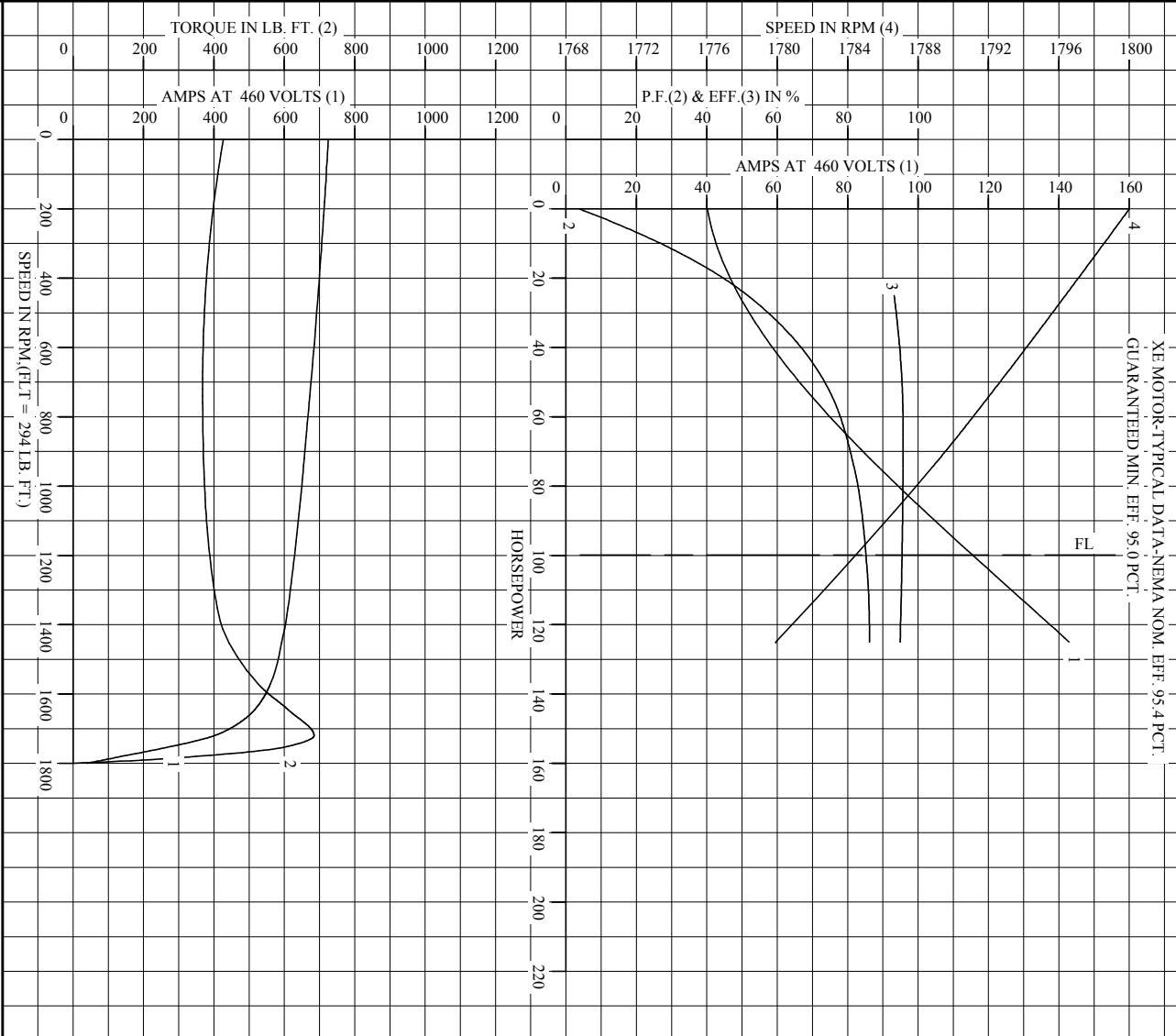
	RPM	TORQUE % FULL LOAD	TORQUE LB.-FT.	AMPERES
LOCKED ROTOR	0	145	427	725
PULL UP	700	125	368	676
BREAKDOWN	1720	233	685	401
FULL LOAD	1785	100	294	115

AMPERES SHOWN FOR 460. VOLT CONNECTION. IF OTHER VOLTAGE CONNECTIONS ARE AVAILABLE, THE AMPERES WILL VARY INVERSELY WITH THE RATED VOLTAGE

REMARKS: XE MOTOR-TYPICAL DATA-NEMA NOM. EFF. 95.4 PCT.
GUARANTEED MIN. EFF. 95.0 PCT.

BALDOR	DR. BY	D. M. BYRD	A-C MOTOR
	CK. BY	W. L. SMITH	
	APP. BY	D. M. BYRD	PERFORMANCE DATA
	DATE	04/14/2004	ISSUE DATE 04/14/20

REL. S.O. _____ RPM 1785 S.F. 1.15 ROTOR 418142-31-NI
 FRAME 404T VOLTS 230/460 NEMA DESIGN B TEST S.O. ---
 HP 100 AMPS 230/115 CODE LETTER G TEST DATE ---
 TYPE P DUTY CONT ENCLOSURE PROT STATOR RES. @ 25 °C .0132/.0531
 PHASE/HERTZ 3/60 AMB °C/INSUL 40/B E/S 595948 OHMS (BETWEEN LINES)



AMPERES SHOWN FOR 460 VOLT CONNECTION, IF OTHER VOLTAGE CONNECTIONS ARE AVAILABLE, THE AMPERES WILL VARY INVERSELY WITH THE RATED VOLTAGE.

BALDOR

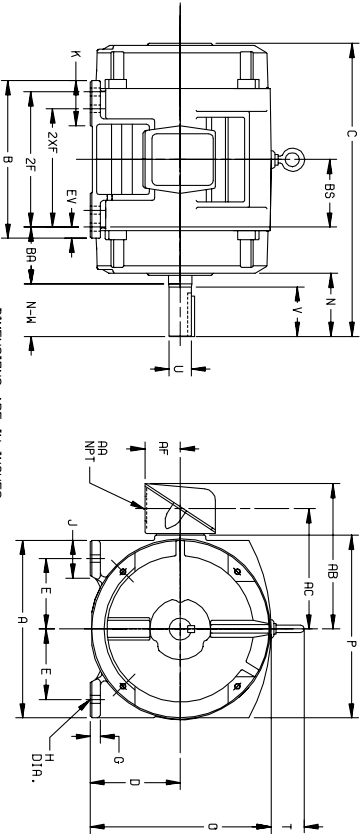
DR. BY D.M. BYRD
 CK. BY W.L. SMITH
 APP. BY D.M. BYRD
 DATE 04/14/2004

A-C MOTOR PERFORMANCE CURVES A40W/G0707-R001
 ISSUE DATE 04/14/2004

Printed on 2/2/11 11:31 @ usmghengdev1

611750-501

DUTY MASTER ALTERNATING CURRENT MOTORS
 SQUIRREL-CAGE INDUCTION
 CAST IRON CONSTRUCTION
 ENCLOSURE: PROTECTED
 MOUNTING: FOOT
 FRAMES 250T THRU 440T
 COOLING: SELF-VENTILATED



DIMENSIONS ARE IN INCHES

FRAME	A	DIG2	E	G	H	J	K	D	P	T	CAST IRON TERMINAL BOX					EV
											AA	AB	AC	AF	BA	
254T-256T	12.50	6.25	5.00	6.9	5.6	2.25	3.50	12.61	12.69	2.44	1-1/4	10.25	8.25	2.50	4.25	6.2
284T-286TS	14.00	7.00	5.50	7.5	5.6	2.75	3.75	14.12	14.31	2.44	1-1/2	12.06	9.62	3.19	4.75	1.00
324T-326TS	15.75	8.00	6.25	8.8	6.9	3.12	4.00	16.10	16.42	2.44	2	14.75	11.00	3.62	5.25	1.00
364T-365TS	17.00	9.00	7.00	9.8	6.9	3.00	3.62	18.30	19.56	2.94	3	18.00	13.81	4.12	5.88	1.00
404T-405TS	19.00	10.00	8.00	11.2	8.1	3.25	4.75	20.56	21.81	2.94	3	19.00	14.81	3.12	6.62	1.12
444T-445TS	21.00	11.00	9.00	12.8	8.1	3.25	5.25	22.91	23.62	3.25	3	21.44	16.69	5.00	7.50	1.25

FRAME	SIZE	C	BS	B	ZF	2XF	N	SHAFT AND KEY			WEIGHT LBS. (3)		
								N-W(6)	U(3)	V		S.O.	LGTH.
254T	22.44	5.00	11.25	---	8.25	4.25	4.00	1.625	3.75	3.75	2.75	265	
256T	22.44	5.00	11.25	---	8.25	4.00	4.00	1.625	3.75	3.75	2.75	275	
284T	24.94	5.50	13.00	---	9.50	4.88	4.62	1.875	4.38	5.00	3.25	340	
284TS	23.96	5.50	13.00	---	9.50	3.50	3.25	1.625	3.00	3.75	1.88	340	
286T	23.96	5.50	13.00	---	11.00	4.88	4.62	1.875	4.38	5.00	3.25	370	
286TS	23.96	5.50	14.00	---	10.50	3.50	3.25	1.625	3.00	3.75	1.88	480	
324T	27.96	6.00	14.00	---	10.50	5.00	5.25	2.185	5.00	5.00	2.00	480	
324TS	27.96	6.00	14.00	---	10.50	4.00	3.75	1.875	3.50	5.00	2.00	520	
326TS	26.06	6.00	14.00	---	12.00	---	4.00	3.75	1.875	3.50	5.00	2.00	520
364T	29.70	6.12	14.25	---	11.25	6.12	5.88	2.375	5.62	6.25	4.25	735	
364TS	27.98	6.12	14.25	---	11.25	4.00	3.75	1.875	3.50	5.00	2.00	730	
365TS	29.70	6.12	14.25	---	12.25	6.12	5.88	2.375	5.62	6.25	4.25	775	
404T	34.00	6.88	16.00	---	12.25	4.00	3.75	1.875	3.50	5.00	2.00	1045	
404TS	31.00	6.88	16.00	---	12.25	7.62	7.25	2.875	7.00	7.50	5.50	1045	
405T	34.00	6.88	16.00	---	13.75	4.62	4.25	2.185	4.00	5.00	2.75	1085	
405TS	31.00	6.88	16.00	---	13.75	4.62	4.25	2.185	4.00	5.00	2.75	1085	
444T	39.956	8.25	19.00	---	14.50	5.19	4.75	2.375	8.25	8.75	6.88	1735	
444TS	35.81	8.25	19.00	---	14.50	5.19	4.75	2.375	8.25	8.75	6.88	1730	
445T	39.956	8.25	19.00	---	16.50	8.94	8.50	3.375	8.25	8.75	6.88	1790	
445TS	35.81	8.25	19.00	---	16.50	5.19	4.75	2.375	8.25	8.75	6.88	1770	

- (1) SPECIAL DIMENSIONS APPLYING TO THIS ORDER ON THIS LINE. CONDUIT BOX LOCATED ON OPPOSITE SIDE WHEN F-2W-1, V-4W-5W-7, DR C-1 MOUNTING IS SPECIFIED.
- (2) 'P' VARIES -250T - 320T +.00, -0.3 V-4W-5W-7, DR C-1 MOUNTING IS SPECIFIED.
- (3) 'U' VARIES +.000, -.001 IF MOUNTING CLEARANCE DETAILS ARE REQUIRED, CONSULT FACTORY.
- (4) ALL FRAMES HAVE EIGHT MOUNTING HOLES FOR DUAL MOUNTING. MAXIMUM PERMISSIBLE SHAFT ROUNDOFF WHEN MEASURED AT END OF SHD. SHAFT EXTENSION IS .002 IIR UP TO AND INCLUDING 1.625 DIA. AND .003 IIR, ABOVE 1.625 TO 3 INCH DIA.
- (5) MOTOR WEIGHTS MAY VARY BY 1% DEPENDING UPON RATING.
- (6) 'N-W' VARIES +.00, -.25.

FRAME- _____ TYPE- _____ CERTIFIED FOR- _____
 ORDER- _____ ITEM- _____ HP- _____ RPM- _____ PH- _____ HZ _____ VOLTS _____
 SALES ORDER- _____ APPROVED BY- _____ DATE _____
 105-057119

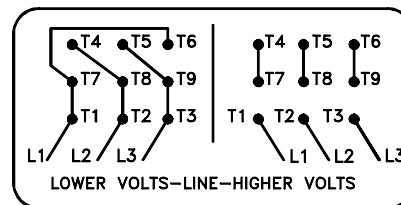
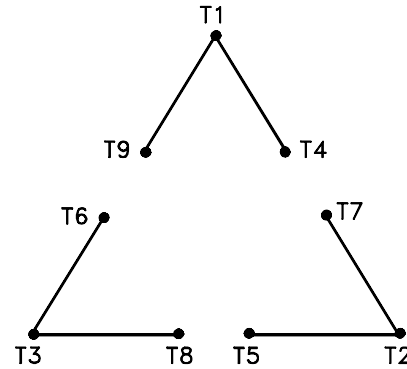
CUSTOMER IS RESPONSIBLE FOR DETERMINING THAT BALDOR'S PRODUCT WILL PERFORM SUITABLY IN THE INTENDED APPLICATION.

REV. DESC: LOADED TO BUS	VERSION: 01	TDR: 000000546464
REV. LTR: A	REVISED: 03:18:49 06/22/2010	BY: RAGHZT
FILE: \\RAG\00009\279		
MTL: -		

BALDOR
 DIM SHT-250T-440T
 SH 1 of 1

416820-002

A-C MOTOR
 CONNECTION DIAGRAM
 STANDARD 9 LEAD DELTA-CONNECTED



(N.P. 1575-B)

416820-002

REV. DESC: LOADED TO BUS, C/R 335225		
REV. LTR: -	VERSION: 00	TDR: 000000538207
FILE: \MGA\00000\661	REVISED: 10:47:51 04/30/2010	
MTL: -	BY: RAGRA	

BALDOR

CONN DIAG - STANDARD 9 LEAD, DELTA-CONNECTED

SH 1 of 1