

# DUTY MASTER ALTERNATING CURRENT MOTORS

## SQUIRREL-CAGE INDUCTION

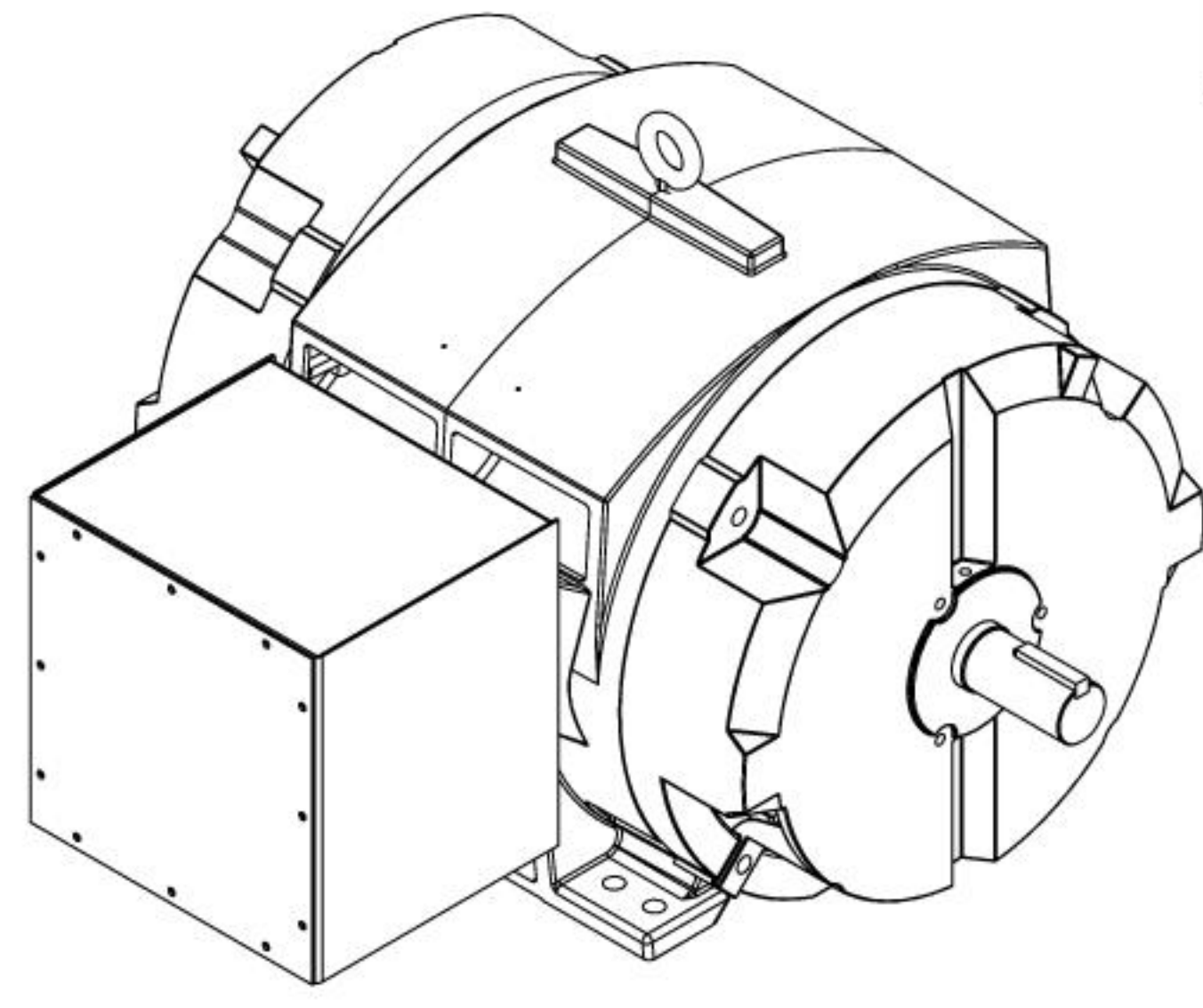
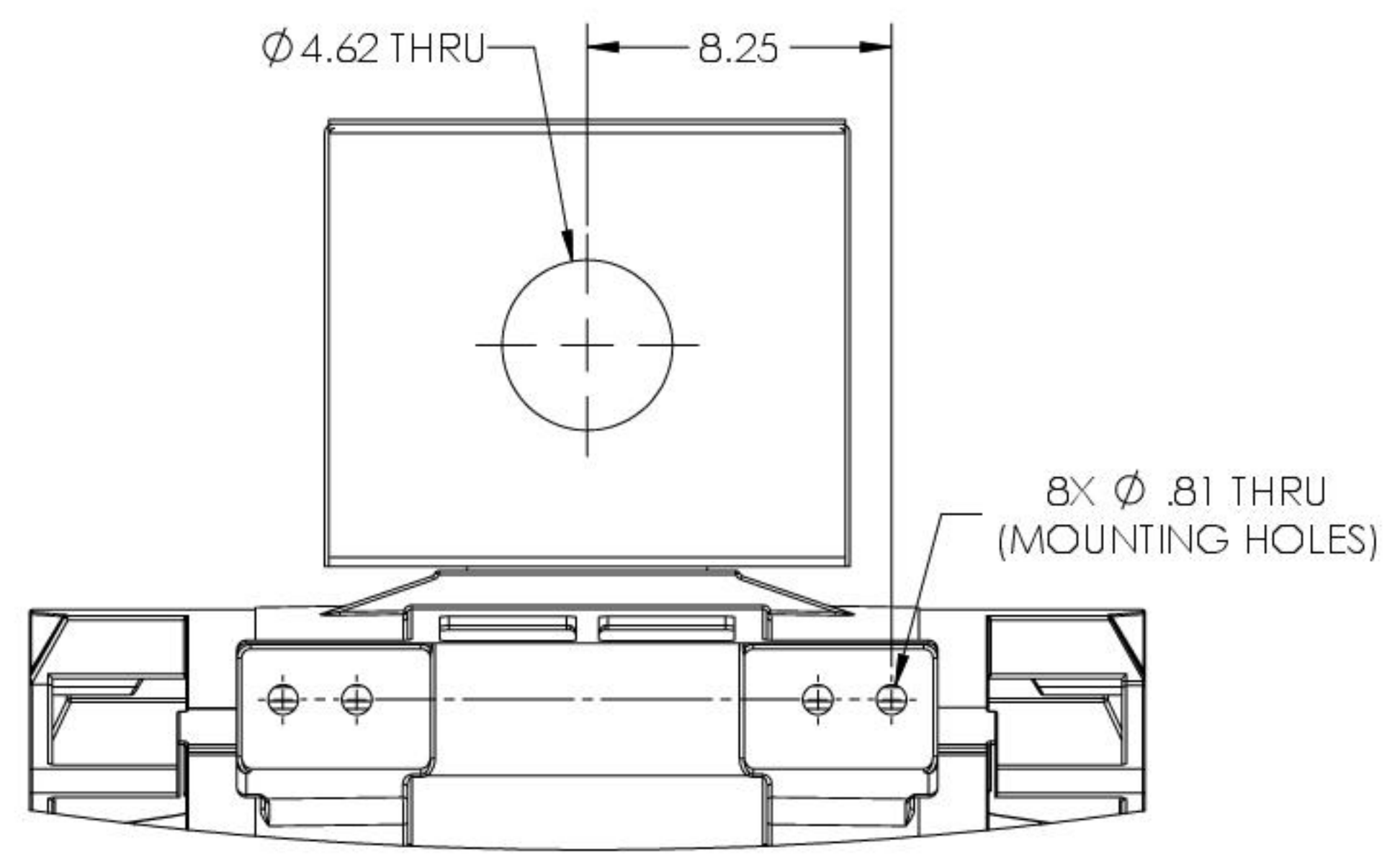
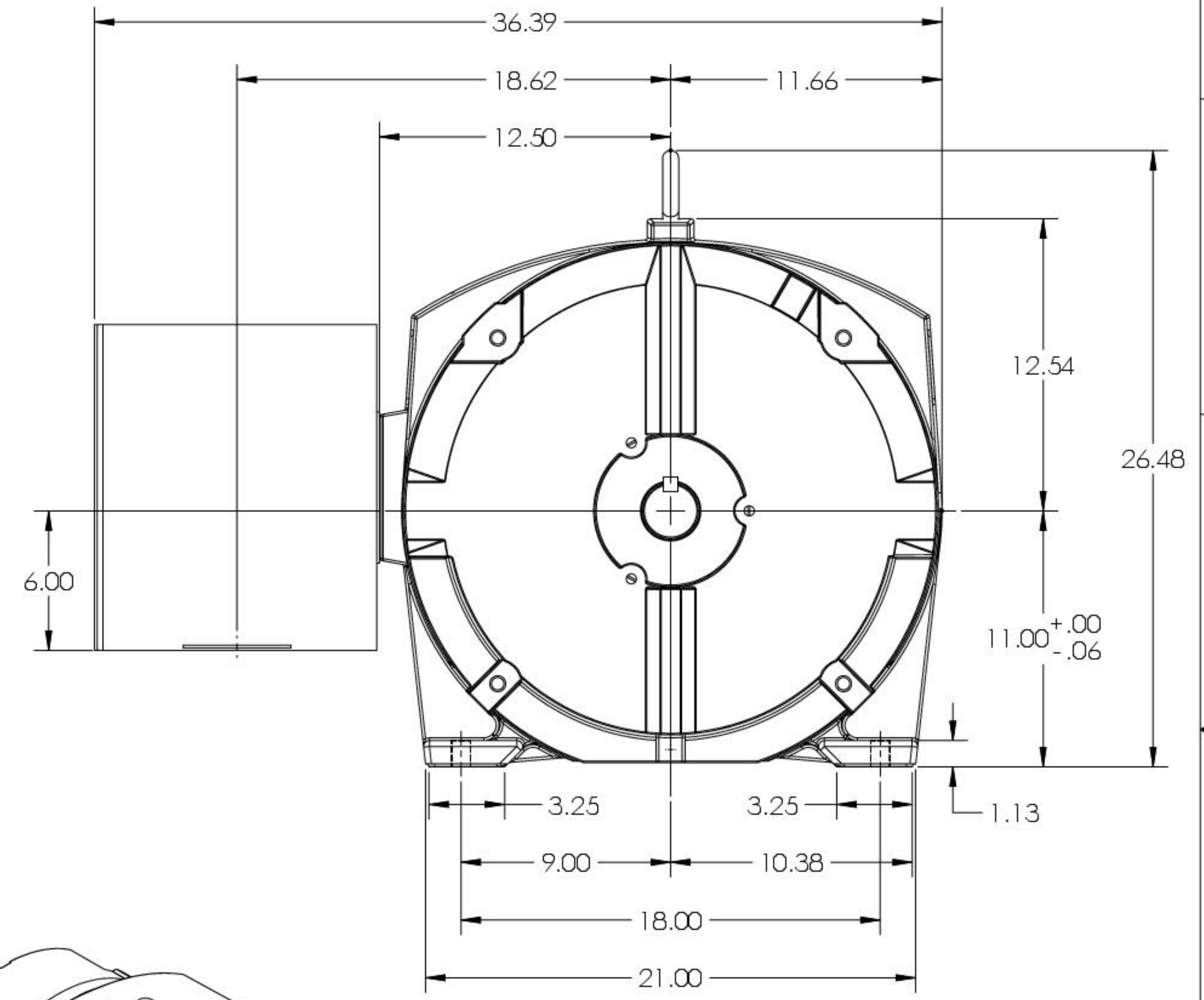
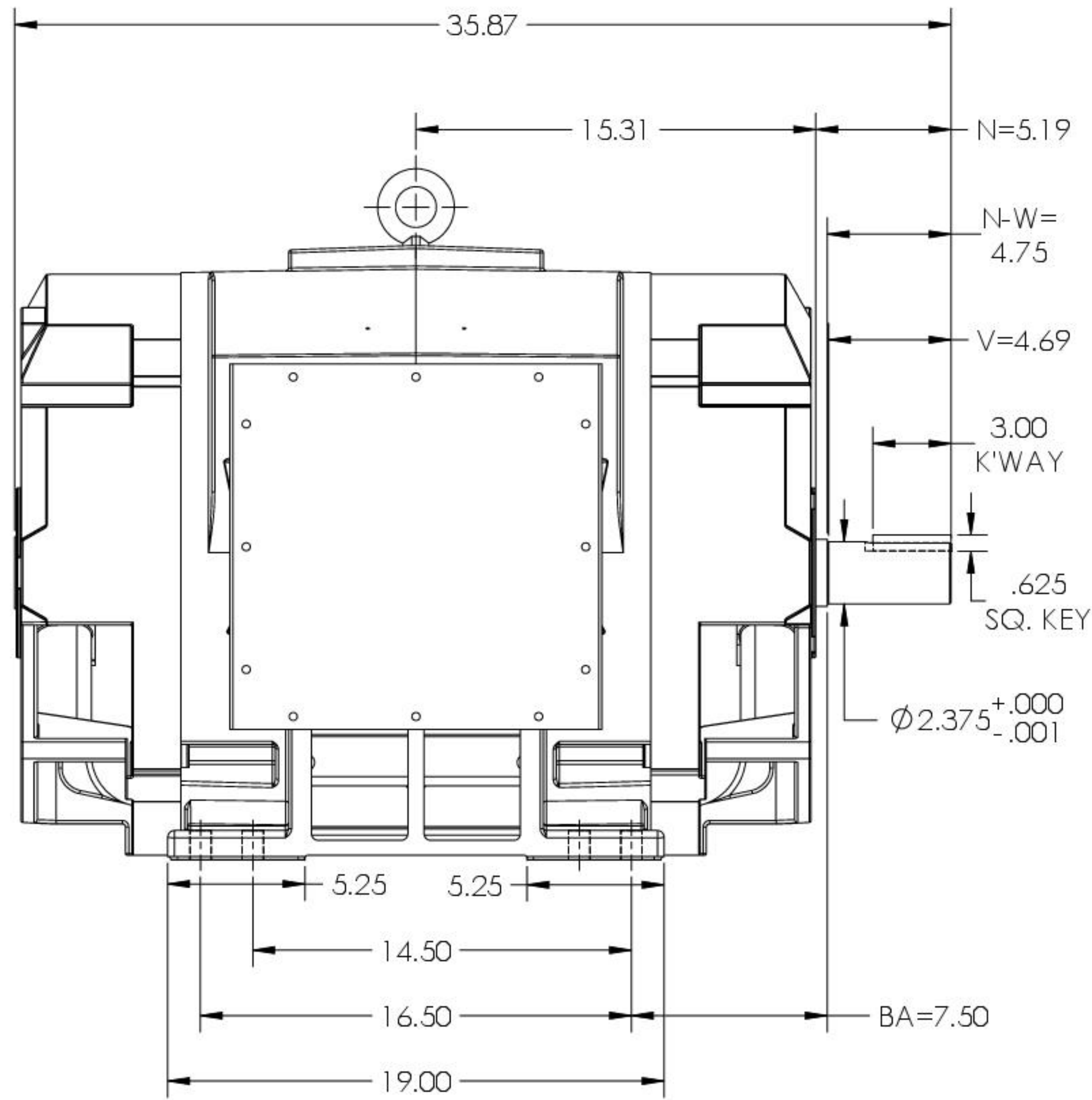
611750-592

ENCLOSURE: OPEN DRIP-PROOF

MOUNTING: FOOT, F-1 SIDE

E444TS/E445TS FRAME MOUNTING HOLES

COOLING: SELF-VENTILATED



DIMENSIONS ARE IN INCHES  
 CUSTOMER IS RESPONSIBLE FOR DETERMINING THAT MOTOR PERFORMANCE IS SUITABLE IN THE APPLICATION.

REV. DESC: NEW DRAWING	VERSION: 00	REVISED: 08.12.50 10/09/2018	TDR: 000001086702
MODEL NO. 611750-592	BY: USJEDIL		

**BALDOR**

E445TS#444TS ODP FOOT F1 SIDE/CEN 14X14X12 STEEL CONDUIT BOX

SHEET NUMBER  
 1 OF 1  
 611750-592

MAXIMUM PERMISSIBLE SHAFT RUNOUT WHEN MEASURED AT END OF STANDARD SHAFT EXTENSION IS .003" T.I.R. TO 5 INCH DIA.

611750-592