

DUTY MASTER ALTERNATING CURRENT MOTORS

SQUIRREL-CAGE INDUCTION

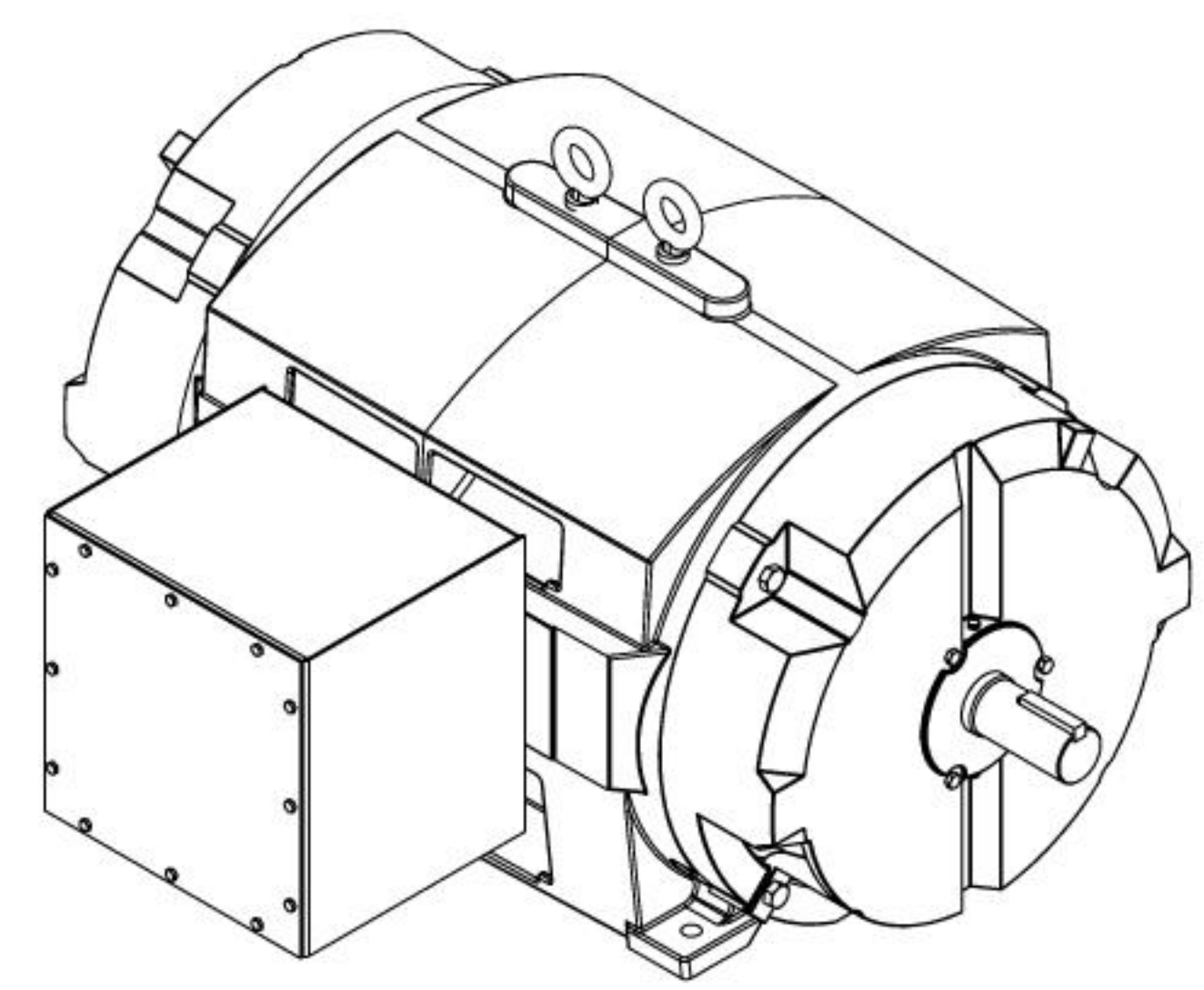
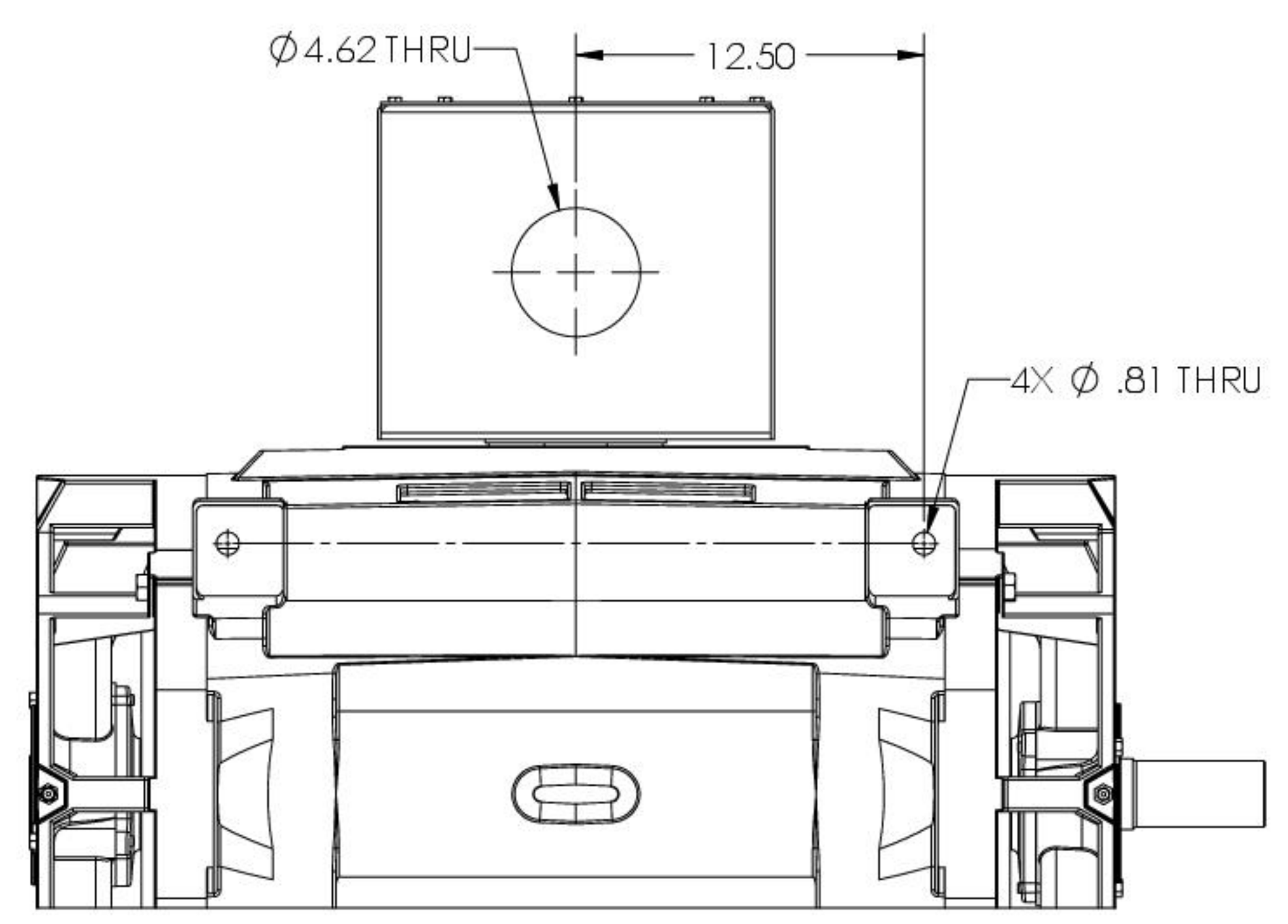
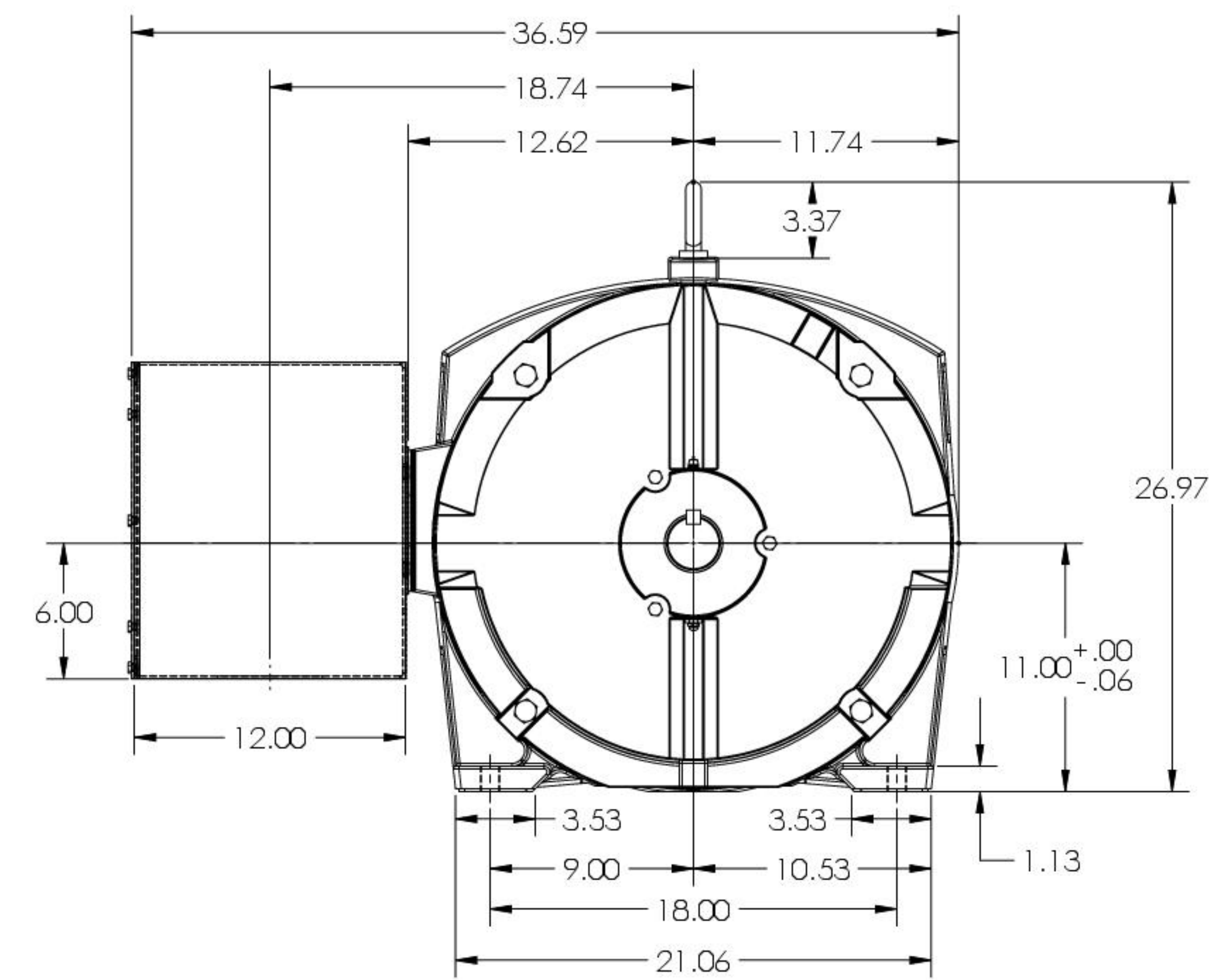
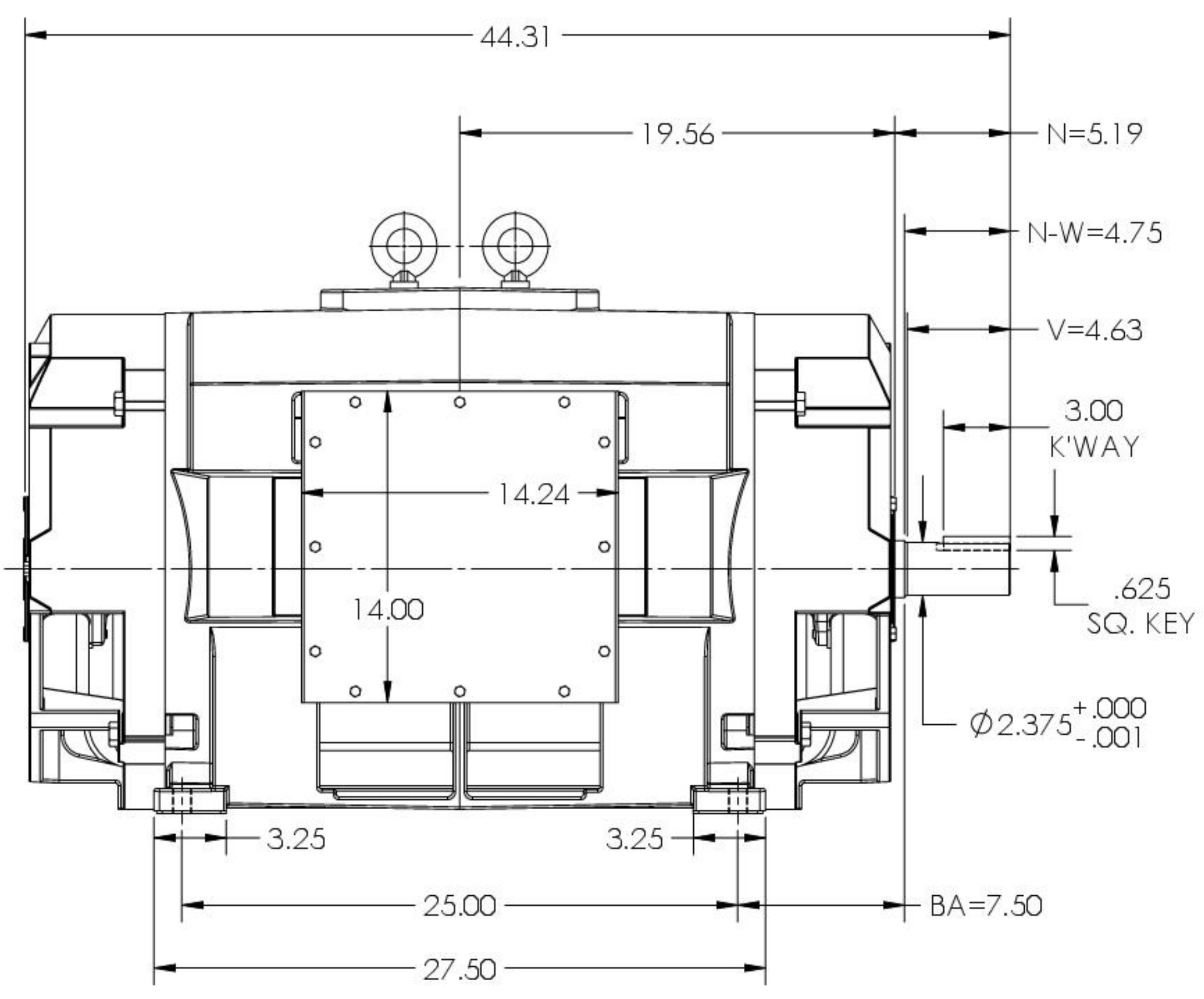
ENCLOSURE: OPEN DRIP-PROOF

MOUNTING: FOOT, F-1

E449TS FRAME MOUNTING

COOLING: NON-VENTILATED

14X14X12 STEEL C/BOX



DIMENSIONS ARE IN INCHES.
 WEIGHT (LBS) 2100, MAY VARY 15% DEPENDING ON RATING.
 CUSTOMER IS RESPONSIBLE FOR DETERMINING THAT MOTOR PERFORMANCE IS SUITABLE IN THE APPLICATION.

SHEET NUMBER
 1 OF 1
 565-686P09

IF MOUNTING CLEARANCE DETAILS ARE REQUIRED, CONSULT FACTORY.

MAX PERMISSIBLE SHAFT RUNOUT WHEN MEASURED AT END OF STANDARD SHAFT EXTENSION IS .003 T.I.R.

REV. DESC: UPDATE MODEL TO ADD EXTERNAL HARDWARE PER PROD MGM	VERSION: 01	REVISED: 06 55 35 07/14/2022	TD R: 000001193 529
MODEL NO. 604989-595			
BY: USBUFRA			

BALDOR

E449TS TEAO/ODPF1 FOOT/FABRICATED 14X14X12S STEEL BOX