

BALDOR® • RELIANCE 

Product Information Packet

EM30006

.33HP,3450RPM,3PH,60HZ,48,3413M,ODP,F1,N

Part Detail							
Revision:	E	Status:	PRD/A	Change #:		Proprietary:	No
Type:	AC	Elec. Spec:	34WGR140	CD Diagram:	CD0005	Mfg Plant:	
Mech. Spec:	34B051	Layout:	34LYB051	Poles:	02	Created Date:	03-06-2014
Base:	RG	Eff. Date:	02-22-2018	Leads:	9#18		

Specs			
Catalog Number:	EM30006	Insulation Class:	F
Enclosure:	ODP	Inverter Code:	Not Inverter
Frame:	48	KVA Code:	N
Frame Material:	Steel	Lifting Lugs:	No Lifting Lugs
Output @ Frequency:	.330 HP @ 60 HZ	Locked Bearing Indicator:	No Locked Bearing
Synchronous Speed @ Frequency:	3600 RPM @ 60 HZ	Motor Lead Quantity/Wire Size:	9 @ 18 AWG
Voltage @ Frequency:	460.0 V @ 60 HZ	Motor Lead Exit:	Ko Box
	230.0 V @ 60 HZ	Motor Lead Termination:	Flying Leads
XP Class and Group:	None	Motor Type:	3413M
XP Division:	Not Applicable	Mounting Arrangement:	F1
Agency Approvals:	CSA	Power Factor:	77
	UR	Product Family:	General Purpose
Auxillary Box:	No Auxillary Box	Pulley End Bearing Type:	Ball
Auxillary Box Lead Termination:	None	Pulley Face Code:	Standard
Base Indicator:	Rigid	Pulley Shaft Indicator:	Standard
Bearing Grease Type:	Polyrex EM (-20F +300F)	Rodent Screen:	None
Blower:	None	RoHS Status:	ROHS COMPLIANT
Current @ Voltage:	.600 A @ 460.0 V	Shaft Extension Location:	Pulley End

	1.200 A @ 230.0 V	Shaft Ground Indicator:	No Shaft Grounding
	1.500 A @ 208.0 V	Shaft Rotation:	Reversible
Design Code:	B	Shaft Slinger Indicator:	No Slinger
Drip Cover:	No Drip Cover	Speed Code:	Single Speed
Duty Rating:	CONT	Motor Standards:	NEMA
Electrically Isolated Bearing:	Not Electrically Isolated	Starting Method:	Direct on line
Feedback Device:	NO FEEDBACK	Thermal Device - Bearing:	NONE (OLD)
Front Face Code:	Standard	Thermal Device - Winding:	None
Front Shaft Indicator:	None	Vibration Sensor Indicator:	No Vibration Sensor
Heater Indicator:	No Heater	Winding Thermal 1:	None
		Winding Thermal 2:	None

Nameplate NP3155L													
CAT.NO.	EM30006												
SPEC.	34B051R140G1												
HP	.33												
VOLTS	230/460												
AMP	1.2/6												
RPM	3450												
FRAME	48					HZ	60			PH	3		
SER.F.	1.35					CODE	N		DES	B		CL	F
F.L. AVG. EFF.	69.5					PF	77						
RATING	40C AMB-CONT												
CC										USABLE AT 208V	1.5		
DE	6203					ODE	6203						
ENCL	ODP					SN							
	SFA 1.4/7												

Parts List		
Part Number	Description	Quantity
SA277600	SA 34B051R140G1	1.000 EA
RA264150	RA 34B051R140G1	1.000 EA
NS2512A01	INSULATOR, CONDUIT BOX X	1.000 EA
34CB3002A	CB CAST W/.88 DIA HOLE	1.000 EA
51XB1016A07	10-16 X 7/16 HXWSSLD SERTYB	2.000 EA
11XW1032G06	10-32 X .38, TAPTITE II, HEX WSHR SLTD U	1.000 EA
34EP3200A01SP	FR ENDPLATE, MACH	1.000 EA
HW5100A03	WAVY WASHER (W1543-017)	1.000 EA
34EP3200A02SP	FR/PU ENDPLATE, MACH	1.000 EA
XY1032A02	10-32 HEX NUT DIRECTIONAL SERRATION	4.000 EA
34CB4517	CB LID 4 MTG HOLES .22 DIA STAMPED, FOR	1.000 EA
51XW0832A07	8-32 X .44, TAPTITE II, HEX WSHR SLTD SE	4.000 EA
MG1000Y03	MUNSELL 2.53Y 6.70/ 4.60, GLOSS 20,	0.014 GA
85XU0407S04	4X1/4 U DRIVE PIN STAINLESS	2.000 EA
HA3100A12	THRUBOLT 10-32 X 7.375	4.000 EA
MN416A01	TAG-INSTAL-MAINT no wire (1200/bx) 5/18	1.000 EA
LC0005E01	CONN.DIA./WARNING LABEL (LC0005/LB1119N)	1.000 EA
NP3155L	ALUM SUPER-E UL CSA CC "SEMS"	1.000 EA
34PA1002	PKG GRP, PRINT PK1001A01	1.000 EA

AC Induction Motor Performance Data

Record # 44910 - Typical performance - not guaranteed values

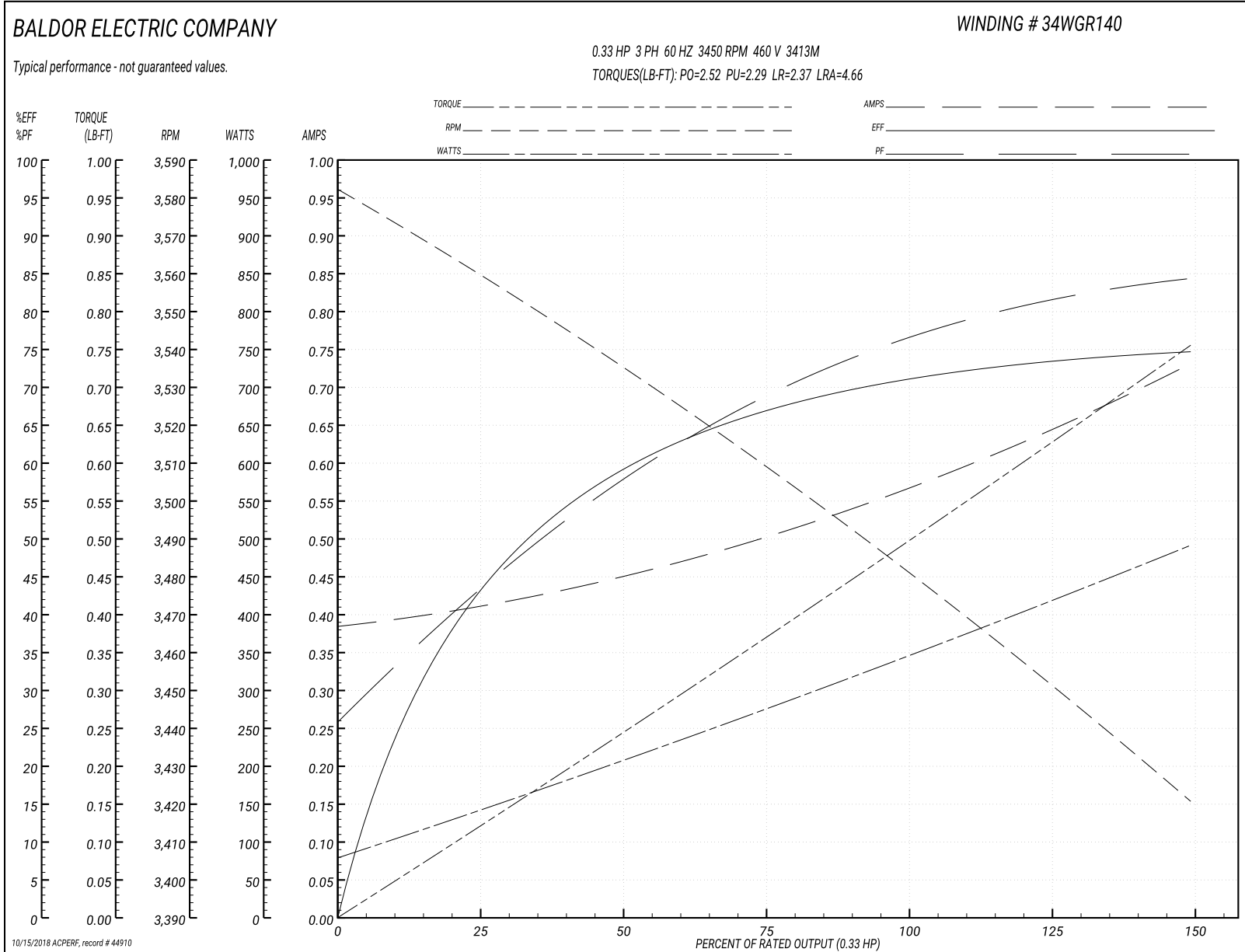
Winding: 34WGR140-R001	Type: 3413M	Enclosure: OPEN
-------------------------------	--------------------	------------------------

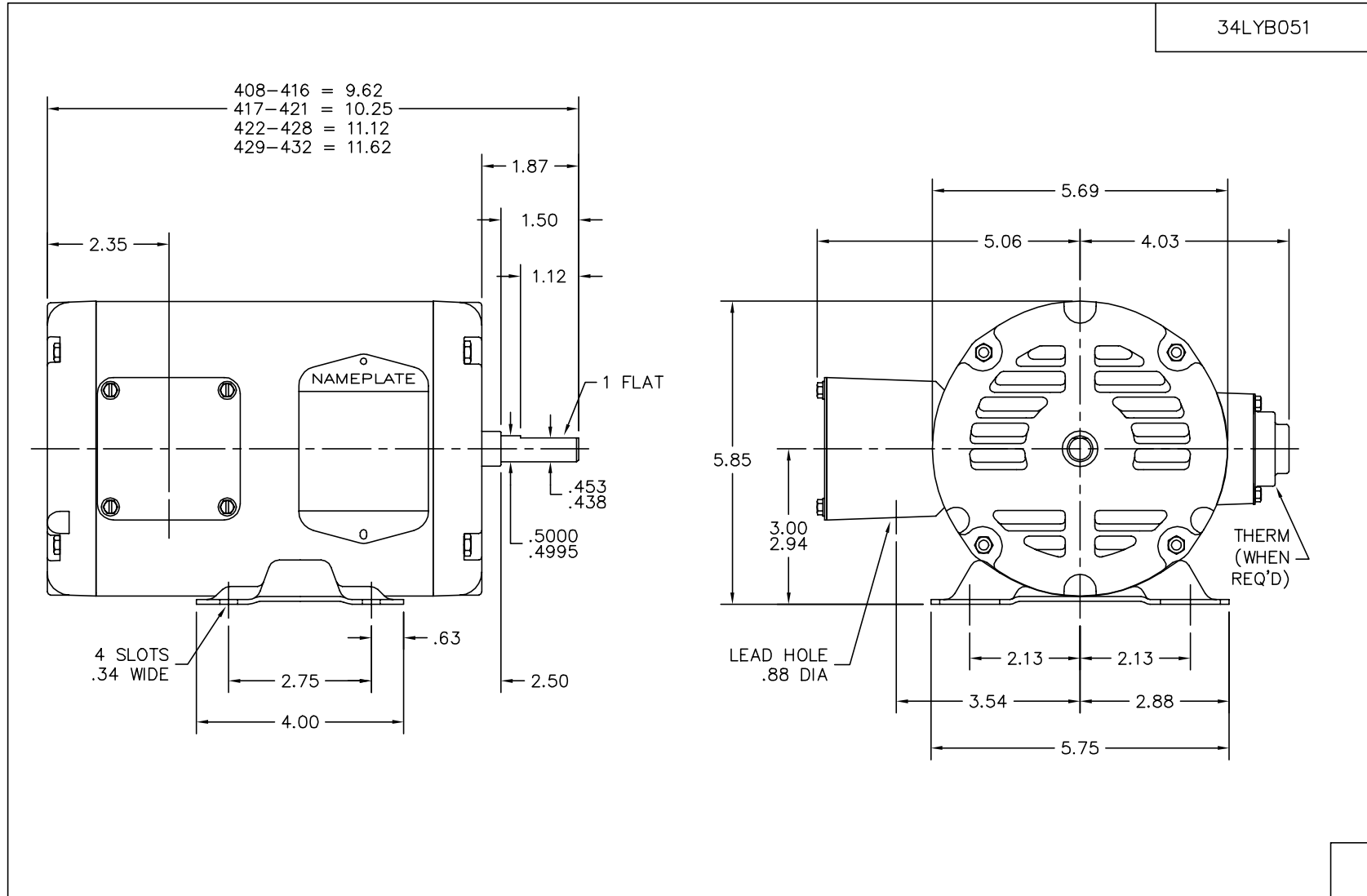
Nameplate Data				460 V, 60 Hz: High Voltage Connection	
Rated Output (HP)	.33			Full Load Torque	0.502 LB-FT
Volts	230/460			Start Configuration	direct on line
Full Load Amps	1.2/.6			Breakdown Torque	2.52 LB-FT
R.P.M.	3450			Pull-up Torque	2.29 LB-FT
Hz	60	Phase	3	Locked-rotor Torque	2.37 LB-FT
NEMA Design Code	B	KVA Code	N	Starting Current	4.66 A
Service Factor (S.F.)	1.35			No-load Current	0.388 A
NEMA Nom. Eff.	69.5	Power Factor	77	Line-line Res. @ 25°C	42 Ω
Rating - Duty	40C AMB-CONT			Temp. Rise @ Rated Load	14°C
S.F. Amps	1.4/.7			Temp. Rise @ S.F. Load	16°C
				Locked-rotor Power Factor	72
				Rotor inertia	0.0121 LB-FT ²

Load Characteristics 460 V, 60 Hz, 0.33 HP

% of Rated Load	25	50	75	100	125	150	S.F.
Power Factor	44	59	69	77	82	85	83
Efficiency	43.9	59.5	67.4	71.1	73.6	74.7	74
Speed	3558	3534	3508	3480	3452	3420	3439
Line amperes	0.408	0.448	0.51	0.572	0.645	0.73	0.679

Performance Graph at 460V, 60Hz, 0.33HP Typical performance - Not guaranteed values





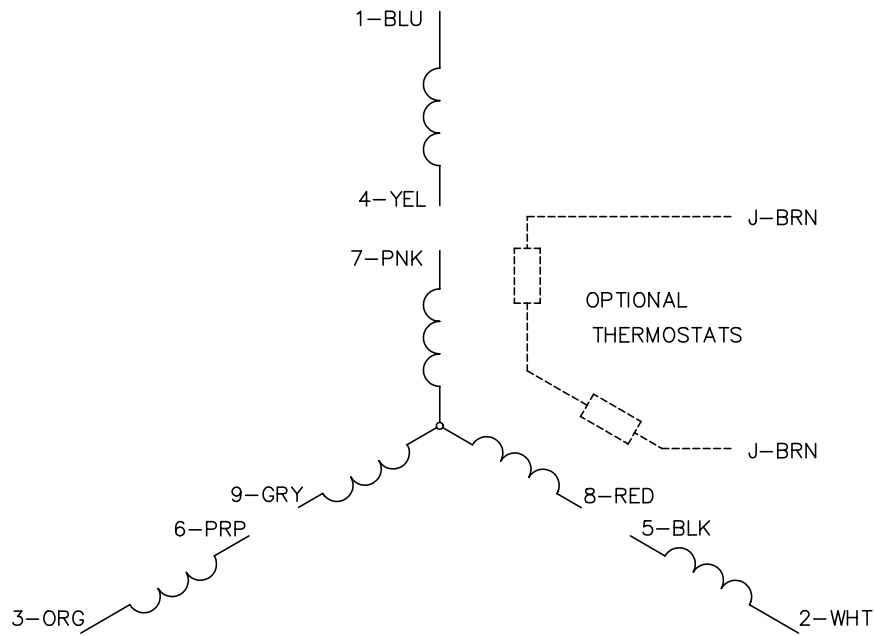
CUSTOMER IS RESPONSIBLE FOR DETERMINING THAT MOTOR PERFORMANCE IS SUITABLE IN THE APPLICATION.

REV. DESC: NEW KBOX & LID			
REV. LTR: E	BY: RT	REVISED: 07:21:50 11/13/2003	TDR: 314968
34LYB051		FILE: AAA00037166	REF: 34LYB051
		MTL: -	

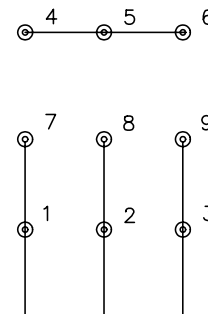
BALDOR ELECTRIC Co.
STD HORZ 34M NEMA 48 OPEN

34LYB051

CD0005

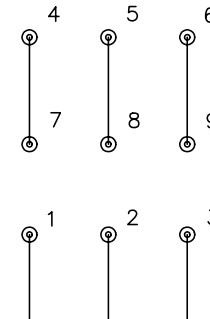


LOW VOLTAGE
(2Y)



LINE

HIGH VOLTAGE
(1Y)



LINE

NOTES:

1. INTERCHANGE ANY TWO LINE LEADS TO REVERSE ROTATION.
2. OPTIONAL THERMOSTATS ARE PROVIDED WHEN SPECIFIED.
3. ACTUAL NUMBER OF INTERNAL PARALLEL CIRCUITS MAY BE A MULTIPLE OF THOSE SHOWN ABOVE.
4. LEAD COLORS ARE OPTIONAL. LEADS MUST ALWAYS BE NUMBERED AS SHOWN.

REV. DESC: REVISE TO SHOW OPTIONAL COLORS			
REV. LTR: E	BY: JLP	REVISED: 01/19/99 10:15	TDR: 0171435
90000		FILE: AAA00005140	MDL: -
		MTL: -	

BALDOR ELECTRIC Co.

3PH, DV, 9 LEADS

CD0005