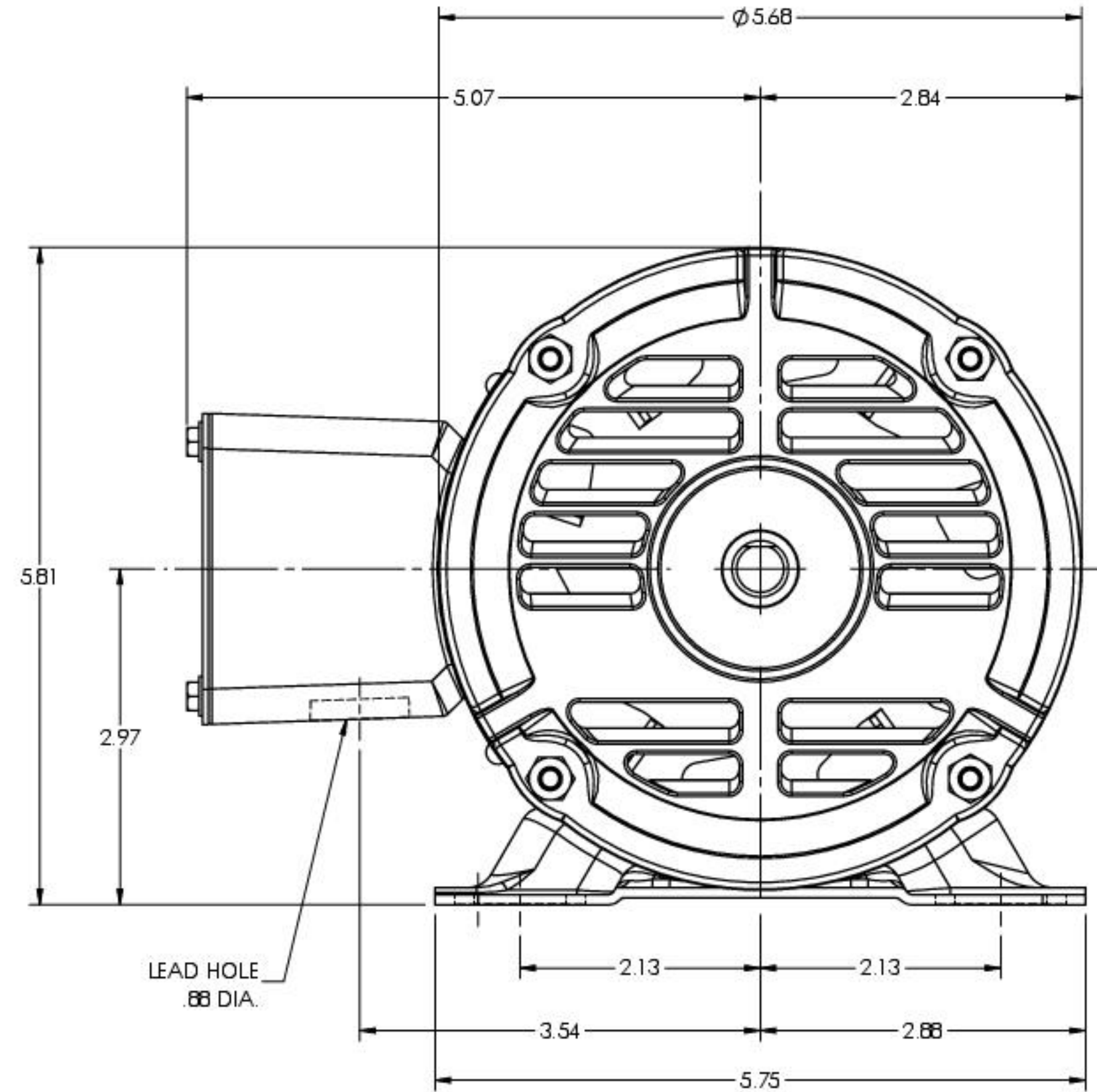
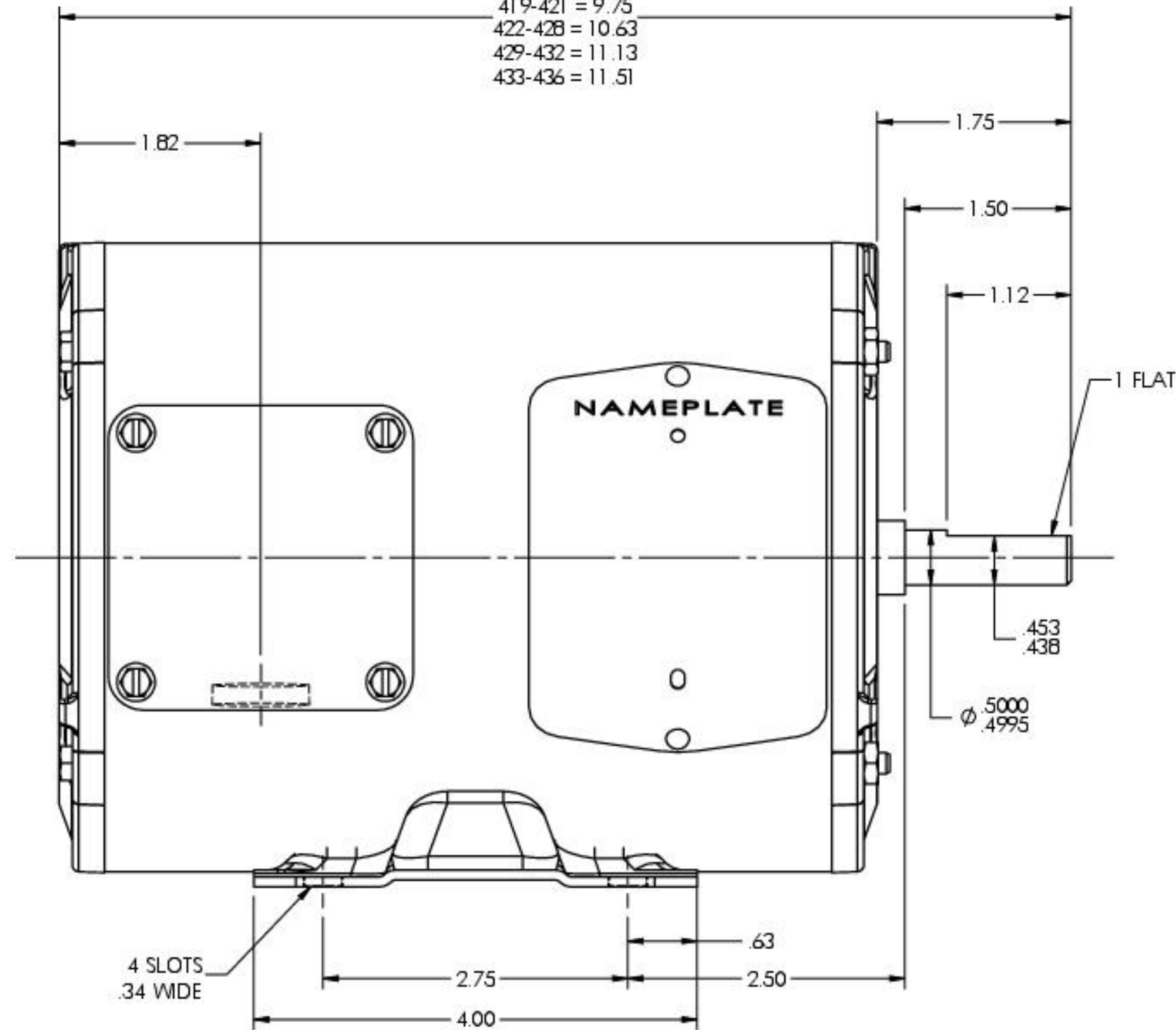


34LYF002

408-416 = 9.13
 417-418 = 9.38
 419-421 = 9.75
 422-428 = 10.63
 429-432 = 11.13
 433-436 = 11.51



CUSTOMER IS RESPONSIBLE FOR DETERMINING THAT THE PRODUCT WILL PERFORM SUITABLY IN THE INTENDED APPLICATION

REV. DESC: CONVERT AUTOCAD DRW TO S'WD			
REV: L	VERSION: 02	REVISED: 10:53:41 09/12/2023	TDR: 0000012135 18
MODEL NO. 34LYF002			REF: -
BY: USALMAZ			B

BALDOR - RELIANCE®

STD HORZ MODEL 34M NEMA 48 OPEN

34LYF002