

BALDOR® • RELIANCE 

Product Information Packet

EM3157T-5G

2HP,1750RPM,3PH,60HZ,145T,3524M,OPSB,F1

| Part Detail | | | | | | | |
|-------------|--------|-------------|------------|-------------|--------|---------------|------------|
| Revision: | L | Status: | PRD/A | Change #: | | Proprietary: | No |
| Type: | AC | Elec. Spec: | 35WGM957 | CD Diagram: | CD0006 | Mfg Plant: | |
| Mech. Spec: | 35Z069 | Layout: | 35LYZ069 | Poles: | 04 | Created Date: | 09-10-2013 |
| Base: | RG | Eff. Date: | 09-20-2018 | Leads: | 3#18 | | |

| Specs | | | |
|---------------------------------|-------------------------|--------------------------------|-----------------|
| Catalog Number: | EM3157T-5G | Inverter Code: | Inverter Ready |
| Enclosure: | OPSB | KVA Code: | K |
| Frame: | 145T | Lifting Lugs: | No Lifting Lugs |
| Frame Material: | Steel | Locked Bearing Indicator: | Locked Bearing |
| Output @ Frequency: | 2.000 HP @ 60 HZ | Motor Lead Quantity/Wire Size: | 3 @ 18 AWG |
| Synchronous Speed @ Frequency: | 1800 RPM @ 60 HZ | Motor Lead Exit: | Ko Box |
| Voltage @ Frequency: | 575.0 V @ 60 HZ | Motor Lead Termination: | Flying Leads |
| XP Class and Group: | None | Motor Type: | 3524M |
| XP Division: | Not Applicable | Mounting Arrangement: | F1 |
| Agency Approvals: | CSA | Power Factor: | 75 |
| | CSA EEV | Product Family: | General Purpose |
| | UR | Pulley End Bearing Type: | Ball |
| Auxillary Box: | No Auxillary Box | Pulley Face Code: | Standard |
| Auxillary Box Lead Termination: | None | Pulley Shaft Indicator: | Standard |
| Base Indicator: | Rigid | Rodent Screen: | None |
| Bearing Grease Type: | Polyrex EM (-20F +300F) | RoHS Status: | ROHS COMPLIANT |
| Blower: | None | Shaft Extension Location: | Pulley End |
| Current @ Voltage: | 2.300 A @ 575.0 V | Shaft Ground Indicator: | Shaft Grounding |

| | | | |
|---------------------------------------|---------------------------|------------------------------------|---------------------|
| Design Code: | B | Shaft Rotation: | Reversible |
| Drip Cover: | No Drip Cover | Shaft Slinger Indicator: | No Slinger |
| Duty Rating: | CONT | Speed Code: | Single Speed |
| Electrically Isolated Bearing: | Not Electrically Isolated | Motor Standards: | NEMA |
| Feedback Device: | NO FEEDBACK | Starting Method: | Direct on line |
| Front Face Code: | Standard | Thermal Device - Bearing: | None |
| Front Shaft Indicator: | None | Thermal Device - Winding: | None |
| Heater Indicator: | No Heater | Vibration Sensor Indicator: | No Vibration Sensor |
| Insulation Class: | H | Winding Thermal 1: | None |
| | | Winding Thermal 2: | None |

| | | | | | | | | | |
|----------------------------------|--------------|--|-------------|------|--|-----------------------|---|--------------|---|
| Nameplate NP3553L | | | | | | | | | |
| CAT.NO. | EM3157T-5G | | | | | | | | |
| SPEC | 35Z069M957G1 | | | | | | | | |
| HP | 2 | | | | | | | | |
| VOLTS | 575 | | | | | | | | |
| AMPS | 2.3 | | | | | | | | |
| RPM | 1750 | | | | | | | | |
| FRAME | 145T | | HZ | 60 | | | | PH | 3 |
| SF | 1.15 | | CODE | K | | DES | B | CLASS | H |
| NEMA NOM. EFF | 86.5 | | PF | 75 | | | | | |
| RATING | 40C AMB-CONT | | | | | | | | |
| CC | 010A | | | | | USABLE AT 208V | | | |
| ENCL | OPSB | | SER | | | | | | |
| DE | 6205 | | ODE | 6203 | | | | | |
| VPWM INVERTER READY | | | | | | | | | |
| CT30-60(2:1) VT3-60(20:1) | | | | | | | | | |

| Parts List | | |
|-------------|--|----------|
| Part Number | Description | Quantity |
| SA269056 | SA 35Z069M957G1 | 1.000 EA |
| RA255710 | RA 35Z069M957G1 | 1.000 EA |
| NS2512A01 | INSULATOR, CONDUIT BOX X | 1.000 EA |
| 35CB3009 | 35 CB W/1.09 DIA. LEAD HOLE @ 6: | 1.000 EA |
| 51XB1016A07 | 10-16 X 7/16 HXWSSLD SERTYB | 2.000 EA |
| 11XW1032G06 | 10-32 X .38, TAPTITE II, HEX WSHR SLTD U | 1.000 EA |
| 35EP3209G00 | MASTER ODE,203 BRG | 1.000 EA |
| HW5100A03 | WAVY WASHER (W1543-017) | 1.000 EA |
| 35EP3210C00 | MASTER DE,205 BRG,1.000SH,LCK BRG | 1.000 EA |
| 51XN1032A18 | 10-32 X 1 1/8 HX WS SL SR (ESKAY) | 2.000 EA |
| XY1032A02 | 10-32 HEX NUT DIRECTIONAL SERRATION | 4.000 EA |
| 35CB4521 | 35 LIPPED CB LID (GALV & PHOSPH) | 1.000 EA |
| 51XW0832A07 | 8-32 X .44, TAPTITE II, HEX WSHR SLTD SE | 4.000 EA |
| HW2501D13 | KEY, 3/16 SQ X 1.375 | 1.000 EA |
| HA7000A01 | KEY RETAINER 7/8" DIA SHAFT | 1.000 EA |
| 85XU0407S04 | 4X1/4 U DRIVE PIN STAINLESS | 2.000 EA |
| LB1459 | AEGIS SGR LABEL "AEGISLBL-100" | 1.000 EA |
| MJ1000A02 | GREASE, POLYREX EM EXXON (USe 4824-15A) | 0.050 LB |
| MG1000Y03 | MUNSELL 2.53Y 6.70/ 4.60, GLOSS 20, | 0.017 GA |
| HA3100A45 | THRUBOLT 10-32 X 8.875 | 4.000 EA |
| 35AD2005A01 | BAFFLE PLATE,MOD 35-SLTD BAND MTRS GL.F. | 1.000 EA |
| LB1119N | WARNING LABEL | 1.000 EA |
| LC0006 | CONNECTION LABEL | 1.000 EA |
| NP3553L | ALUM SUPER-E VPWM INVERTER READY UL CSA- | 1.000 EA |

| Parts List (continued) | | |
|-------------------------------|---|-----------------|
| Part Number | Description | Quantity |
| 35PA1066 | PKG GRP, PRINT PK1008A06 | 1.000 EA |
| MN416A01 | TAG-INSTAL-MAINT no wire (1200/bx) 5/18 | 1.000 EA |
| PE-0000001 | ZRTG PE ASSEMBLY | 1.000 EA |
| FE-0000001 | ZRTG FE ASSEMBLY | 1.000 EA |

AC Induction Motor Performance Data

Record # 50449 - Typical performance - not guaranteed values

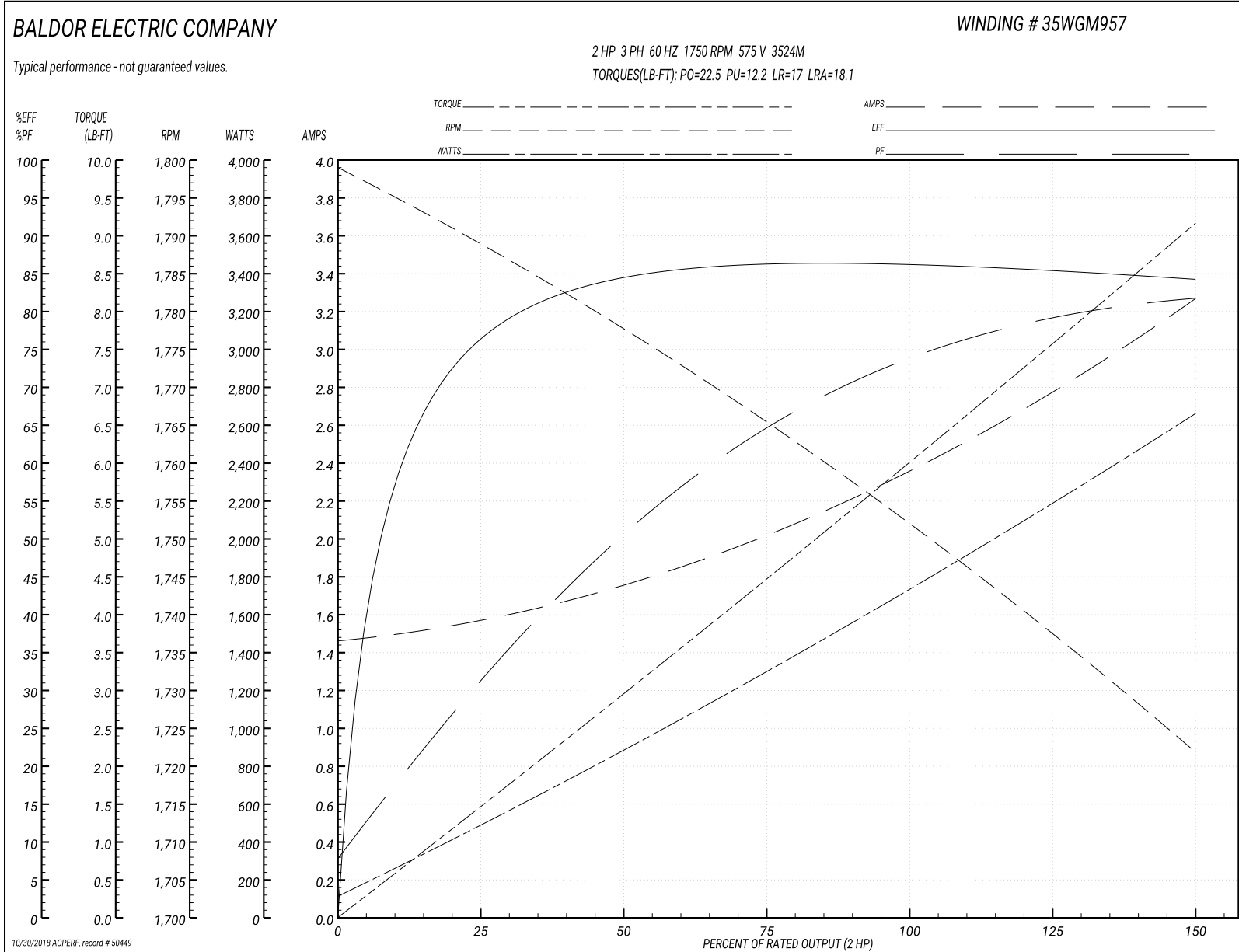
| | | |
|-------------------------------|--------------------|------------------------|
| Winding: 35WGM957-R002 | Type: 3524M | Enclosure: OPSB |
|-------------------------------|--------------------|------------------------|

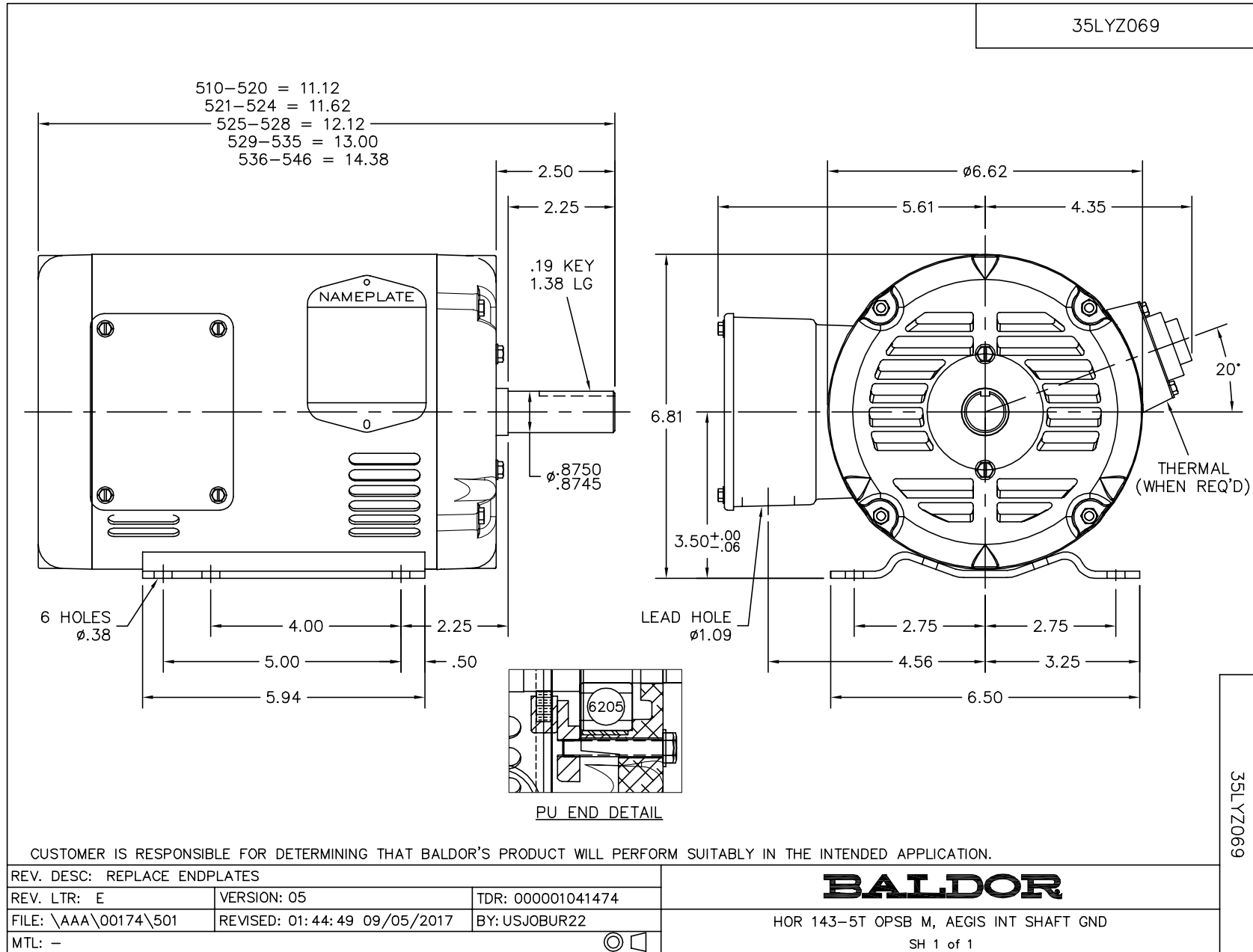
| Nameplate Data | | | | 575 V, 60 Hz: Single Voltage Motor | |
|-----------------------|--------------|--------------|----|---------------------------------------|--------------------------|
| Rated Output (HP) | 2 | | | Full Load Torque | 6.02 LB-FT |
| Volts | 575 | | | Start Configuration | direct on line |
| Full Load Amps | 2.3 | | | Breakdown Torque | 22.5 LB-FT |
| R.P.M. | 1750 | | | Pull-up Torque | 12.2 LB-FT |
| Hz | 60 | Phase | 3 | Locked-rotor Torque | 17 LB-FT |
| NEMA Design Code | B | KVA Code | K | Starting Current | 18.1 A |
| Service Factor (S.F.) | 1.15 | | | No-load Current | 1.48 A |
| NEMA Nom. Eff. | 86.5 | Power Factor | 75 | Line-line Res. @ 25°C | 13 Ω |
| Rating - Duty | 40C AMB-CONT | | | Temp. Rise @ Rated Load | 37°C |
| S.F. Amps | | | | Temp. Rise @ S.F. Load | 45°C |
| | | | | Locked-rotor Power Factor | 53.2 |
| | | | | Rotor inertia | 0.142 LB-FT ² |

Load Characteristics 575 V, 60 Hz, 2 HP

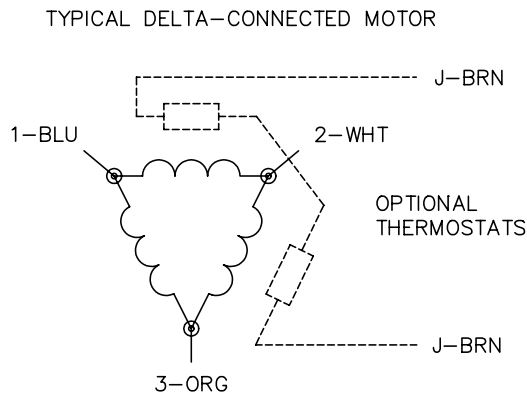
| % of Rated Load | 25 | 50 | 75 | 100 | 125 | 150 | S.F. |
|-----------------|------|------|------|------|------|------|------|
| Power Factor | 32 | 52 | 64 | 73 | 79 | 82 | 78 |
| Efficiency | 76.4 | 84.3 | 86.2 | 86.4 | 85.6 | 84.2 | 86.1 |
| Speed | 1789 | 1777 | 1766 | 1752 | 1737 | 1722 | 1749 |
| Line amperes | 1.55 | 1.74 | 2.03 | 2.38 | 2.78 | 3.26 | 2.56 |

Performance Graph at 575V, 60Hz, 2.0HP Typical performance - Not guaranteed values





CD0006



NOTES:

1. THREE LEAD MOTOR MAY BE EITHER WYE CONNECTED OR DELTA CONNECTED.
2. INTERCHANGE ANY TWO LINE LEADS TO REVERSE ROTATION.
3. OPTIONAL THERMOSTATS ARE PROVIDED WHEN SPECIFIED.
4. ACTUAL NUMBER OF INTERNAL PARALLEL CIRCUITS MAY VARY.
5. LEAD COLORS ARE OPTIONAL. LEADS MUST BE NUMBERED AS SHOWN.

| | | | |
|---|---------|------------------------|--------------|
| REV. DESC: REVISE TO SHOW OPTIONAL COLORS | | | |
| REV. LTR: D | BY: JLP | REVISED: 01/21/99 4:02 | TDR: 0171435 |
| 9000D | | FILE: AAA00005141 | MDL: - |
| | | MTL: - | |

BALDOR ELECTRIC Co.

3PH, SV, 3 LEADS, WYE OR DELTA CONNECTED

CD0006