

BALDOR® • RELIANCE 

Product Information Packet

EM3157T-8

2HP,1750RPM,3PH,60HZ,145T,3524M,OPSB,F1

Part Detail							
Revision:	S	Status:	PRD/A	Change #:		Proprietary:	No
Type:	AC	Elec. Spec:	35WGM921	CD Diagram:	CD0006	Mfg Plant:	
Mech. Spec:	35BB101	Layout:	35LYBB101	Poles:	04	Created Date:	11-29-2010
Base:	RG	Eff. Date:	08-21-2017	Leads:	3#16		

Specs			
Catalog Number:	EM3157T-8	Insulation Class:	F
Enclosure:	OPSB	Inverter Code:	Inverter Ready
Frame:	145T	KVA Code:	K
Frame Material:	Steel	Lifting Lugs:	No Lifting Lugs
Output @ Frequency:	2.000 HP @ 60 HZ	Locked Bearing Indicator:	No Locked Bearing
Synchronous Speed @ Frequency:	1800 RPM @ 60 HZ	Motor Lead Quantity/Wire Size:	3 @ 16 AWG
Voltage @ Frequency:	200.0 V @ 60 HZ	Motor Lead Exit:	Ko Box
XP Class and Group:	None	Motor Lead Termination:	Flying Leads
XP Division:	Not Applicable	Motor Type:	3524M
Agency Approvals:	UR	Mounting Arrangement:	F1
	CSA EEV	Power Factor:	77
	CSA	Product Family:	General Purpose
Auxillary Box:	No Auxillary Box	Pulley End Bearing Type:	Ball
Auxillary Box Lead Termination:	None	Pulley Face Code:	Standard
Base Indicator:	Rigid	Pulley Shaft Indicator:	Standard
Bearing Grease Type:	Polyrex EM (-20F +300F)	Rodent Screen:	None
Blower:	None	Shaft Extension Location:	Pulley End
Current @ Voltage:	6.500 A @ 200.0 V	Shaft Ground Indicator:	No Shaft Grounding

	6.500 A @ 208.0 V	Shaft Rotation:	Reversible
Design Code:	B	Shaft Slinger Indicator:	No Slinger
Drip Cover:	No Drip Cover	Speed Code:	Single Speed
Duty Rating:	CONT	Motor Standards:	NEMA
Electrically Isolated Bearing:	Not Electrically Isolated	Starting Method:	Direct on line
Feedback Device:	NO FEEDBACK	Thermal Device - Bearing:	None
Front Face Code:	Standard	Thermal Device - Winding:	None
Front Shaft Indicator:	None	Vibration Sensor Indicator:	No Vibration Sensor
Heater Indicator:	No Heater	Winding Thermal 1:	None
		Winding Thermal 2:	None

Nameplate NP3553L										
CAT.NO.	EM3157T-8									
SPEC	35BB101M921G1									
HP	2									
VOLTS	200									
AMPS	6.5									
RPM	1750									
FRAME	145T				HZ	60			PH	3
SF	1.15		CODE	K	DES	B		CLASS	F	
NEMA NOM. EFF	86.5		PF	77						
RATING	40C AMB-CONT									
CC	010A				USABLE AT 208V					6.5
ENCL	OPSB		SER							
DE	6205			ODE	6203					
VPWM INVERTER READY										
CT30-60(2:1) VT3-60(20:1)										

Parts List		
Part Number	Description	Quantity
SA212577	SA 35BB101M921G1	1.000 EA
RA199806	RA 35BB101M921G1	1.000 EA
NS2512A01	INSULATOR, CONDUIT BOX X	1.000 EA
35CB3009	35 CB W/1.09 DIA. LEAD HOLE @ 6:	1.000 EA
51XB1016A06	10-16X3/8 HXWSSLD SERTYB	2.000 EA
11XW1032G06	10-32 X .38, TAPTITE II, HEX WSHR SLTD U	1.000 EA
35EP3209A00	MASTER ODE,203 BRG,GRSR	1.000 EA
HW4500A01	1641B(ALEMITE)400 UNIV, GREASE FITT	1.000 EA
HW5100A03	WAVY WASHER (W1543-017)	1.000 EA
35EP3210A00	MASTER DE,205 BRG,1.000SH,GRSR	1.000 EA
HW4500A01	1641B(ALEMITE)400 UNIV, GREASE FITT	1.000 EA
XY1032A02	10-32 HEX NUT DIRECTIONAL SERRATION	4.000 EA
35CB4521	35 LIPPED CB LID (GALV & PHOSPH)	1.000 EA
51XW0832A07	8-32 X .44, TAPTITE II, HEX WSHR SLTD SE	4.000 EA
HW2501D13	KEY, 3/16 SQ X 1.375	1.000 EA
HA7000A01	KEY RETAINER 7/8" DIA SHAFT	1.000 EA
85XU0407S04	4X1/4 U DRIVE PIN STAINLESS	2.000 EA
MJ1000A02	GREASE, POLYREX EM EXXON (USe 4824-15A)	0.050 LB
MG1000Y03	MUNSELL 2.53Y 6.70/ 4.60, GLOSS 20,	0.017 GA
35AD2005A01	BAFFLE PLATE,MOD 35-SLTD BAND MTRS GL.F.	2.000 EA
HA3100A45	THRUBOLT 10-32 X 8.875	4.000 EA
LB1119N	WARNING LABEL	1.000 EA
LC0006	CONNECTION LABEL	1.000 EA
NP3553L	ALUM SUPER-E VPWM INVERTER READY UL CSA-	1.000 EA

Parts List (continued)		
Part Number	Description	Quantity
35PA1066	PKG GRP, PRINT PK1008A06	1.000 EA
MN416A01	TAG-INSTAL-MAINT no wire (1200/bx) 5/18	1.000 EA
PE-0000001	ZRTG PE ASSEMBLY	1.000 EA
FE-0000001	ZRTG FE ASSEMBLY	1.000 EA

Accessories		
Part Number	Description	Multiplier
35-8764	C FACE KIT	A8
35EP1604A01SP	D-FLANGE KIT	A8

AC Induction Motor Performance Data

Record # 32618 - Typical performance - not guaranteed values

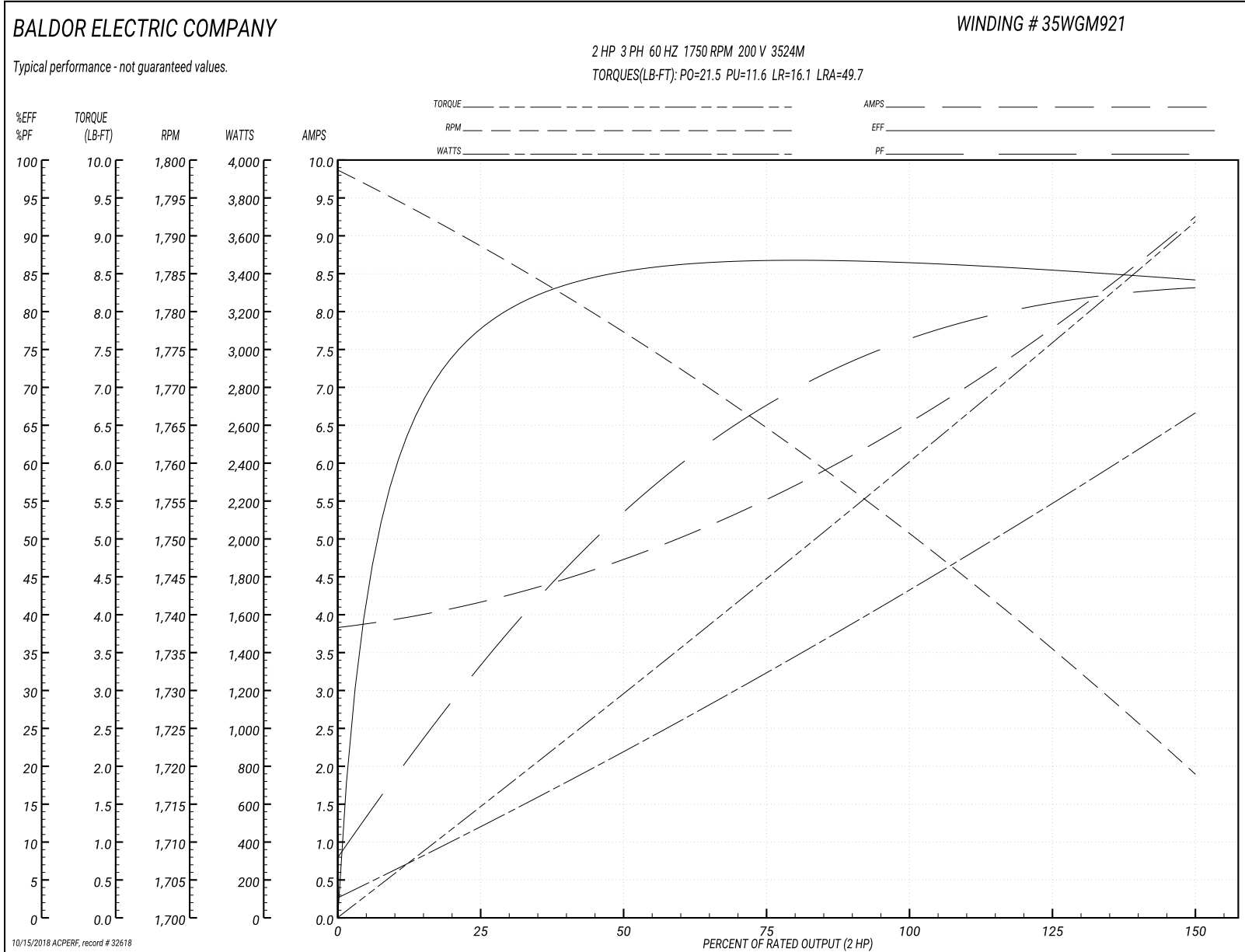
Winding: 35WGM921-R001	Type: 3524M	Enclosure: OPSB
-------------------------------	--------------------	------------------------

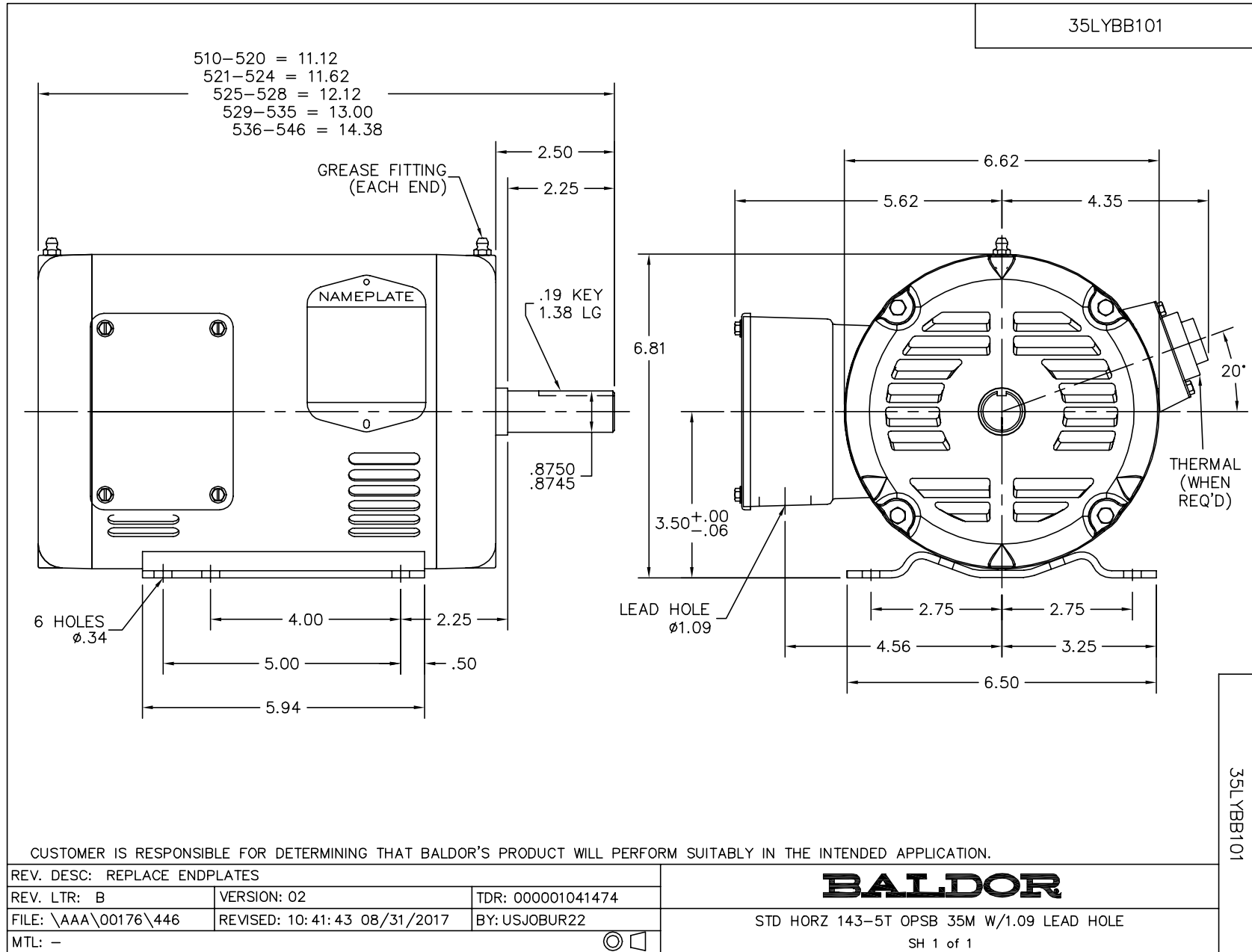
Nameplate Data				200 V, 60 Hz: Single Voltage Motor	
Rated Output (HP)	2			Full Load Torque	6.02 LB-FT
Volts	200			Start Configuration	direct on line
Full Load Amps	6.5			Breakdown Torque	21.5 LB-FT
R.P.M.	1750			Pull-up Torque	11.6 LB-FT
Hz	60	Phase	3	Locked-rotor Torque	16.1 LB-FT
NEMA Design Code	B	KVA Code	K	Starting Current	49.7 A
Service Factor (S.F.)	1.15			No-load Current	3.89 A
NEMA Nom. Eff.	86.5	Power Factor	77	Line-line Res. @ 25°C	1.64 Ω
Rating - Duty	40C AMB-CONT			Temp. Rise @ Rated Load	37°C
S.F. Amps				Temp. Rise @ S.F. Load	44°C
				Locked-rotor Power Factor	52.7
				Rotor inertia	0.142 LB-FT ²

Load Characteristics 200 V, 60 Hz, 2 HP

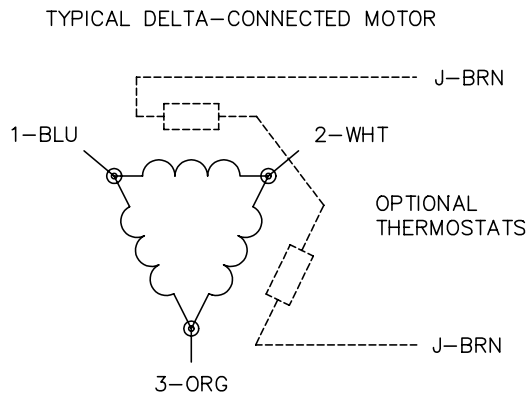
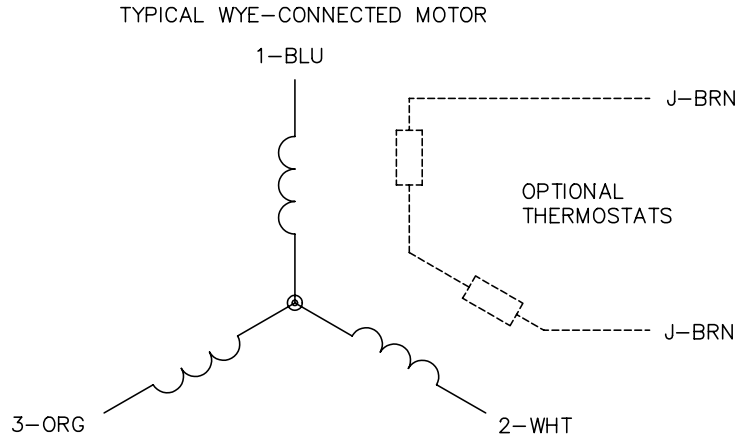
% of Rated Load	25	50	75	100	125	150	S.F.
Power Factor	34	55	67	76	81	84	79
Efficiency	77.6	85	86.8	86.6	85.6	84.1	86.1
Speed	1788	1777	1765	1751	1735	1719	1748
Line amperes	4.1	4.68	5.56	6.59	7.81	9.22	7.26

Performance Graph at 200V, 60Hz, 2.0HP Typical performance - Not guaranteed values





CD0006



NOTES:

1. THREE LEAD MOTOR MAY BE EITHER WYE CONNECTED OR DELTA CONNECTED.
2. INTERCHANGE ANY TWO LINE LEADS TO REVERSE ROTATION.
3. OPTIONAL THERMOSTATS ARE PROVIDED WHEN SPECIFIED.
4. ACTUAL NUMBER OF INTERNAL PARALLEL CIRCUITS MAY VARY.
5. LEAD COLORS ARE OPTIONAL. LEADS MUST BE NUMBERED AS SHOWN.

REV. DESC: REVISE TO SHOW OPTIONAL COLORS			
REV. LTR: D	BY: JLP	REVISED: 01/21/99 4:02	TDR: 0171435
9000D		FILE: AAA00005141	MDL: -
		MTL: -	

BALDOR ELECTRIC Co.

3PH, SV, 3 LEADS, WYE OR DELTA CONNECTED

CD0006