

BALDOR® • RELIANCE 

Product Information Packet

EM3211T-8G

3HP, 1765RPM, 3PH, 60HZ, 182T, 3630M, OPSB, F1

Part Detail							
Revision:	J	Status:	PRD/A	Change #:		Proprietary:	No
Type:	AC	Elec. Spec:	36WGS760	CD Diagram:	CD0006	Mfg Plant:	
Mech. Spec:	36M526	Layout:	36LYM526	Poles:	04	Created Date:	09-10-2013
Base:	RG	Eff. Date:	09-18-2018	Leads:	3#14		

Specs			
Catalog Number:	EM3211T-8G	Inverter Code:	Inverter Ready
Enclosure:	OPSB	KVA Code:	K
Frame:	182T	Lifting Lugs:	No Lifting Lugs
Frame Material:	Steel	Locked Bearing Indicator:	Locked Bearing
Output @ Frequency:	3.000 HP @ 60 HZ	Motor Lead Quantity/Wire Size:	3 @ 14 AWG
Synchronous Speed @ Frequency:	1800 RPM @ 60 HZ	Motor Lead Exit:	Ko Box
Voltage @ Frequency:	200.0 V @ 60 HZ	Motor Lead Termination:	Flying Leads
XP Class and Group:	None	Motor Type:	3630M
XP Division:	Not Applicable	Mounting Arrangement:	F1
Agency Approvals:	CSA	Power Factor:	74
	CSA EEV	Product Family:	General Purpose
	UR	Pulley End Bearing Type:	Ball
Auxillary Box:	No Auxillary Box	Pulley Face Code:	Standard
Auxillary Box Lead Termination:	None	Pulley Shaft Indicator:	Standard
Base Indicator:	Rigid	Rodent Screen:	None
Bearing Grease Type:	Polyrex EM (-20F +300F)	Shaft Extension Location:	Pulley End
Blower:	None	Shaft Ground Indicator:	Shaft Grounding
Current @ Voltage:	9.700 A @ 200.0 V	Shaft Rotation:	Reversible

Design Code:	B	Shaft Slinger Indicator:	No Slinger
Drip Cover:	No Drip Cover	Speed Code:	Single Speed
Duty Rating:	CONT	Motor Standards:	NEMA
Electrically Isolated Bearing:	Not Electrically Isolated	Starting Method:	Direct on line
Feedback Device:	NO FEEDBACK	Thermal Device - Bearing:	None
Front Face Code:	Standard	Thermal Device - Winding:	None
Front Shaft Indicator:	None	Vibration Sensor Indicator:	No Vibration Sensor
Heater Indicator:	No Heater	Winding Thermal 1:	None
Insulation Class:	H	Winding Thermal 2:	None

Nameplate NP3553L									
CAT.NO.	EM3211T-8G								
SPEC	36M526S760G2								
HP	3								
VOLTS	200								
AMPS	9.7								
RPM	1765								
FRAME	182T			HZ	60			PH	3
SF	1.15		CODE	K		DES	B	CLASS	H
NEMA NOM. EFF	89.5		PF	74					
RATING	40C AMB-CONT								
CC	010A					USABLE AT 208V			
ENCL	OPSB		SER						
DE	6206		ODE	6205					
VPWM INVERTER READY									
CT30-60(2:1) VT3-60(20:1)									

Parts List		
Part Number	Description	Quantity
SA269047	SA 36M526S760G2	1.000 EA
RA255701	RA 36M526S760G2	1.000 EA
36CB3004	36 CB CASTING W/1.09 DIA LEAD HOLE @ 6:0	1.000 EA
51XB1016A07	10-16 X 7/16 HXWSSLD SERTYB	2.000 EA
11XW1032G06	10-32 X .38, TAPTITE II, HEX WSHR SLTD U	1.000 EA
HW3001B01	BRASS CUP WASHER, FOR #10 SCREW	1.000 EA
36EP3200A01	FR ENDPLATE, ASSEMBLY FOR ROUTING	1.000 EA
HW4500A01	1641B(ALEMITE)400 UNIV, GREASE FITT	1.000 EA
HW5100A05	WVY WSHR F/205 & 304 BRGS	1.000 EA
36PE3201A39	PU ENDPLATE, ASSEMBLY FOR ROUTING	1.000 EA
10XN2520A20	1/4-20X 1 1/4 HEX HD X	2.000 EA
HW1001A25	LOCKWASHER 1/4, ZINC PLT .493 OD, .255 I	2.000 EA
HW4500A01	1641B(ALEMITE)400 UNIV, GREASE FITT	1.000 EA
XY2520A12	1/4-20 HEX NUT, DIRECTIONAL SERRATIONS	4.000 EA
36CB4516	36 LIPPED CB LID - GALVANNEAL	1.000 EA
51XW0832A07	8-32 X .44, TAPTITE II, HEX WSHR SLTD SE	4.000 EA
HW2501E16	KEY, 1/4 SQ X 1.750	1.000 EA
HA7000A02	KEY RETAINER RING, 1 1/8 DIA, 1 3/8 DIA	1.000 EA
85XU0407S04	4X1/4 U DRIVE PIN STAINLESS	2.000 EA
LB1459	AEGIS SGR LABEL "AEGISLBL-100"	1.000 EA
HA6362ZP	LIFTING LUG FOR 36 FRAME MOTORS.	2.000 EA
MJ1000A02	GREASE, POLYREX EM EXXON (USe 4824-15A)	0.050 LB
MG1000Y03	MUNSELL 2.53Y 6.70/ 4.60, GLOSS 20,	0.022 GA
HA3101A25	THRUBOLT 1/4-20 X 11.000 OHIO ROD	4.000 EA

Parts List (continued)		
Part Number	Description	Quantity
36AD2004A01	BAFFLE PLATE,MOD 36-SLTD BAND MTRS DELTA	1.000 EA
LB1115N	LABEL,LIFTING DEVICE (ON ROLLS)	1.000 EA
LB1119N	WARNING LABEL	1.000 EA
LC0006	CONNECTION LABEL	1.000 EA
NP3553L	ALUM SUPER-E VPWM INVERTER READY UL CSA-	1.000 EA
36PA1000	PKG GRP, PRINT PK1016A06	1.000 EA
MN416A01	TAG-INSTAL-MAINT no wire (1200/bx) 5/18	1.000 EA
LB1350	BAR CODE LABEL FOR YORK	1.000 EA

AC Induction Motor Performance Data

Record # 50480 - Typical performance - not guaranteed values

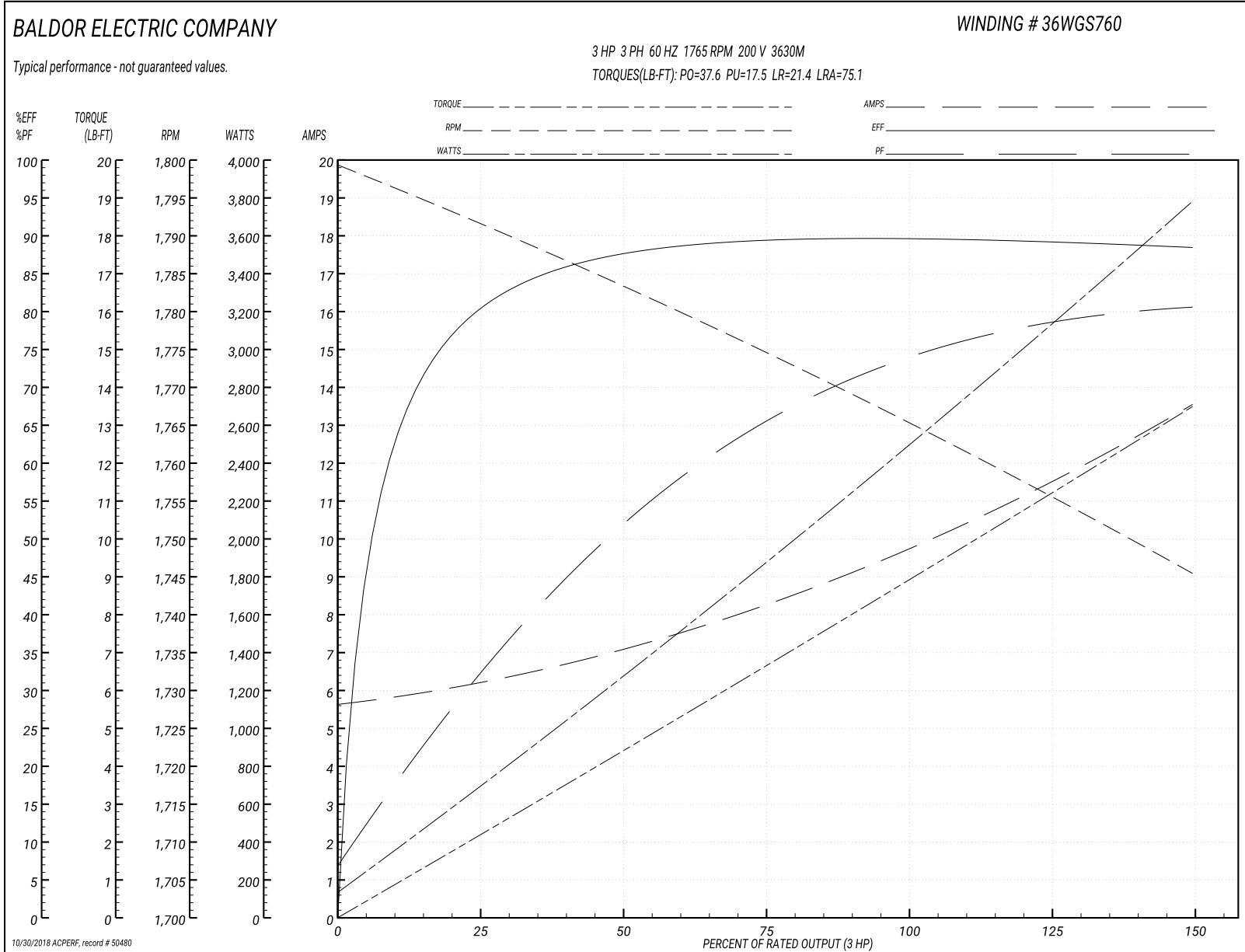
Winding: 36WGS760-R003	Type: 3630M	Enclosure: OPSB
-------------------------------	--------------------	------------------------

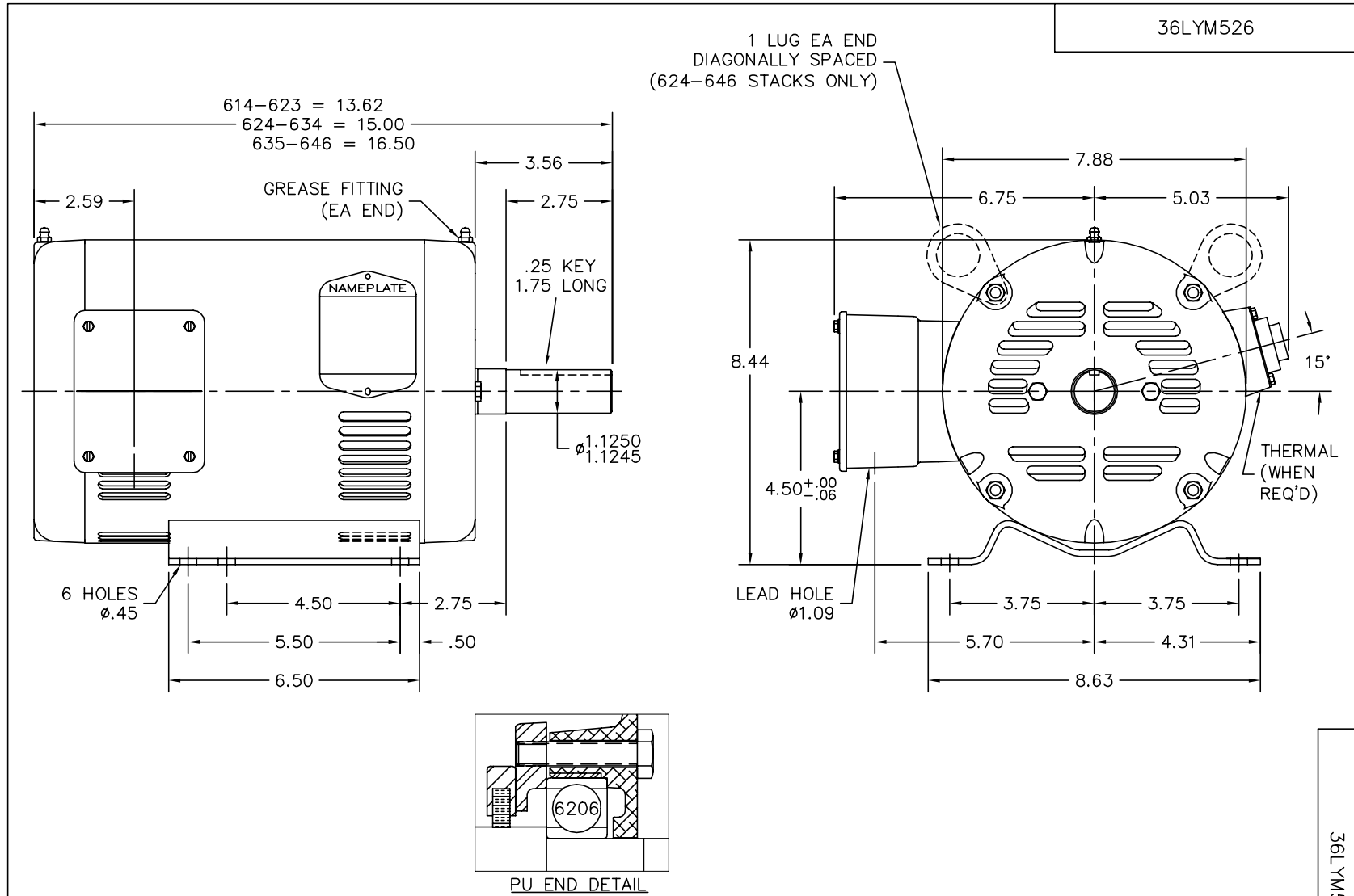
Nameplate Data				200 V, 60 Hz: Single Voltage Motor	
Rated Output (HP)	3			Full Load Torque	8.85 LB-FT
Volts	200			Start Configuration	direct on line
Full Load Amps	9.7			Breakdown Torque	37.6 LB-FT
R.P.M.	1765			Pull-up Torque	17.5 LB-FT
Hz	60	Phase	3	Locked-rotor Torque	21.4 LB-FT
NEMA Design Code	B	KVA Code	K	Starting Current	75.1 A
Service Factor (S.F.)	1.15			No-load Current	5.72 A
NEMA Nom. Eff.	89.5	Power Factor	74	Line-line Res. @ 25°C	0.731 Ω
Rating - Duty	40C AMB-CONT			Temp. Rise @ Rated Load	24°C
S.F. Amps				Temp. Rise @ S.F. Load	28°C
				Locked-rotor Power Factor	43.6
				Rotor inertia	0.279 LB-FT ²

Load Characteristics 200 V, 60 Hz, 3 HP

% of Rated Load	25	50	75	100	125	150	S.F.
Power Factor	32	53	66	73	78	81	76
Efficiency	79.6	87.4	89.4	89.7	89.5	88.3	89.6
Speed	1791	1783	1775	1766	1756	1745	1760
Line amperes	6.1	6.99	8.24	9.84	11.5	13.5	10.8

Performance Graph at 200V, 60Hz, 3.0HP Typical performance - Not guaranteed values





CUSTOMER IS RESPONSIBLE FOR DETERMINING THAT BALDOR'S PRODUCT WILL PERFORM SUITABLY IN THE INTENDED APPLICATION.

REV. DESC: SHOW GRSR ON FREP		
REV. LTR: C	VERSION: 03	TDR: 000001087939
FILE: \AAA\00174\561	REVISED: 08:18:16 10/15/2018	BY: ENWINBO
MTL: -		

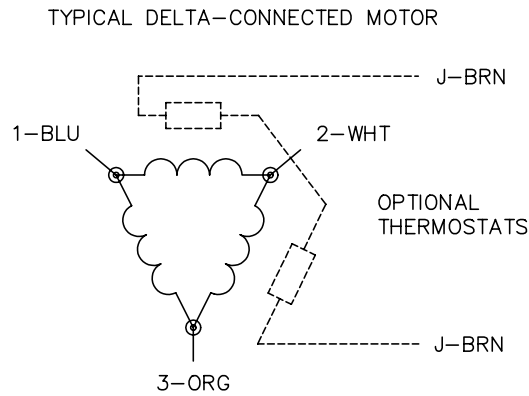
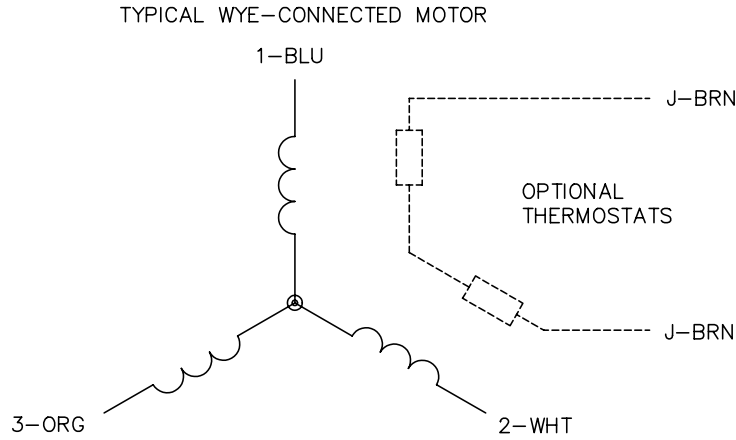
BALDOR - RELIANCE®

HOR 182-4T OPSB M, AEGIS INT GND

SH 1 of 1

36LYM526

CD0006



NOTES:

1. THREE LEAD MOTOR MAY BE EITHER WYE CONNECTED OR DELTA CONNECTED.
2. INTERCHANGE ANY TWO LINE LEADS TO REVERSE ROTATION.
3. OPTIONAL THERMOSTATS ARE PROVIDED WHEN SPECIFIED.
4. ACTUAL NUMBER OF INTERNAL PARALLEL CIRCUITS MAY VARY.
5. LEAD COLORS ARE OPTIONAL. LEADS MUST BE NUMBERED AS SHOWN.

REV. DESC: REVISE TO SHOW OPTIONAL COLORS			
REV. LTR: D	BY: JLP	REVISED: 01/21/99 4:02	TDR: 0171435
9000D		FILE: AAA00005141	MDL: -
		MTL: -	

BALDOR ELECTRIC Co.

3PH, SV, 3 LEADS, WYE OR DELTA CONNECTED

CD0006