

**BALDOR® • RELIANCE** 

**Product Information Packet**

**EM3216T**

**1HP,850RPM,3PH,60HZ,182T,3628M,OPEN,F1,N**

Part Detail							
Revision:	C	Status:	PRD/A	Change #:		Proprietary:	No
Type:	AC	Elec. Spec:	36WGR622	CD Diagram:	CD0005	Mfg Plant:	
Mech. Spec:	36B001	Layout:	36LYB001	Poles:	08	Created Date:	04-27-2015
Base:	RG	Eff. Date:	08-23-2016	Leads:	9#16		

Specs			
Catalog Number:	EM3216T	Heater Indicator:	No Heater
Enclosure:	OPEN	Insulation Class:	F
Frame:	182T	Inverter Code:	Inverter Ready
Frame Material:	Steel	KVA Code:	J
Output @ Frequency:	1.000 HP @ 60 HZ	Lifting Lugs:	No Lifting Lugs
Synchronous Speed @ Frequency:	900 RPM @ 60 HZ	Locked Bearing Indicator:	No Locked Bearing
Voltage @ Frequency:	460.0 V @ 60 HZ	Motor Lead Quantity/Wire Size:	9 @ 16 AWG
	230.0 V @ 60 HZ	Motor Lead Exit:	Ko Box
XP Class and Group:	None	Motor Lead Termination:	Flying Leads
XP Division:	Not Applicable	Motor Type:	3628M
Agency Approvals:	UR	Mounting Arrangement:	F1
	CSA EEV	Power Factor:	60
	CSA	Product Family:	General Purpose
Auxillary Box:	No Auxillary Box	Pulley End Bearing Type:	Ball
Auxillary Box Lead Termination:	None	Pulley Face Code:	Standard
Base Indicator:	Rigid	Pulley Shaft Indicator:	Standard
Bearing Grease Type:	Polyrex EM (-20F +300F)	Rodent Screen:	None
Blower:	None	Shaft Extension Location:	Pulley End

<b>Current @ Voltage:</b>	2.100 A @ 460.0 V	<b>Shaft Ground Indicator:</b>	No Shaft Grounding
	4.200 A @ 208.0 V	<b>Shaft Rotation:</b>	Reversible
	4.200 A @ 230.0 V	<b>Shaft Slinger Indicator:</b>	No Slinger
<b>Design Code:</b>	B	<b>Speed Code:</b>	Single Speed
<b>Drip Cover:</b>	No Drip Cover	<b>Motor Standards:</b>	NEMA
<b>Duty Rating:</b>	CONT	<b>Starting Method:</b>	Direct on line
<b>Electrically Isolated Bearing:</b>	Not Electrically Isolated	<b>Thermal Device - Bearing:</b>	None
<b>Feedback Device:</b>	NO FEEDBACK	<b>Thermal Device - Winding:</b>	None
<b>Front Face Code:</b>	Standard	<b>Vibration Sensor Indicator:</b>	No Vibration Sensor
<b>Front Shaft Indicator:</b>	None	<b>Winding Thermal 1:</b>	None
		<b>Winding Thermal 2:</b>	None

<b>Nameplate NP2116L</b>	
<b>CAT.NO.</b>	EM3216T
<b>SPEC.</b>	36B001R622G1
<b>HP</b>	1
<b>VOLTS</b>	230/460
<b>AMP</b>	4.2/2.1
<b>RPM</b>	850
<b>FRAME</b>	182T
<b>HZ</b>	60
<b>PH</b>	3
<b>SER.F.</b>	1.15
<b>CODE</b>	J
<b>DES</b>	B
<b>CL</b>	F
<b>NEMA-NOM-EFF</b>	75.5
<b>PF</b>	60
<b>RATING</b>	40C AMB-CONT
<b>CC</b>	010A
<b>USABLE AT 208V</b>	4.2
<b>DE</b>	6206
<b>ODE</b>	6205
<b>ENCL</b>	OPEN
<b>SN</b>	

Parts List		
Part Number	Description	Quantity
SA299824	SA 36B001R622G1	1.000 EA
RA286857	RA 36B001R622G1	1.000 EA
36CB3004	36 CB CASTING W/1.09 DIA LEAD HOLE @ 6:0	1.000 EA
51XB1016A08	10-16X 1/2HXWSSLD SERTYB	2.000 EA
11XW1032G06	10-32 X .38, TAPTITE II, HEX WSHR SLTD U	1.000 EA
HW3001B01	BRASS CUP WASHER, FOR #10 SCREW	1.000 EA
36EP3200A01	FR ENDPLATE, ASSEMBLY FOR ROUTING	1.000 EA
HW4500A01	1641B(ALEMITE)400 UNIV, GREASE FITT	1.000 EA
HW5100A05	WVY WSHR F/205 & 304 BRGS	1.000 EA
36PE3201A01	PU ENDPLATE, ASSEMBLY FOR ROUTING	1.000 EA
HW4500A01	1641B(ALEMITE)400 UNIV, GREASE FITT	1.000 EA
XY2520A12	1/4-20 HEX NUT, DIRECTIONAL SERRATIONS	4.000 EA
36CB4516	36 LIPPED CB LID - GALVANNEAL	1.000 EA
51XW0832A07	8-32 X .44, TAPTITE II, HEX WSHR SLTD SE	4.000 EA
HW2501E16	KEY, 1/4 SQ X 1.750	1.000 EA
HA7000A02	KEY RETAINER RING, 1 1/8 DIA, 1 3/8 DIA	1.000 EA
85XU0407S04	4X1/4 U DRIVE PIN STAINLESS	2.000 EA
MJ1000A02	GREASE, POLYREX EM EXXON (USe 4824-15A)	0.050 LB
HA3101A25	THRUBOLT 1/4-20 X 11.000 OHIO ROD	4.000 EA
MG1000Y03	MUNSELL 2.53Y 6.70/ 4.60, GLOSS 20,	0.022 GA
LC0005E01	CONN.DIA./WARNING LABEL (LC0005/LB1119N)	1.000 EA
NP2116L	ALUM SUPER-E UL CSA CC	1.000 EA
36PA1001	PKG GRP, PRINT PK1017A06	1.000 EA
MN416A01	TAG-INSTAL-MAINT no wire (1200/bx) 5/18	1.000 EA

**AC Induction Motor Performance Data**

Record # 50457 - Typical performance - not guaranteed values

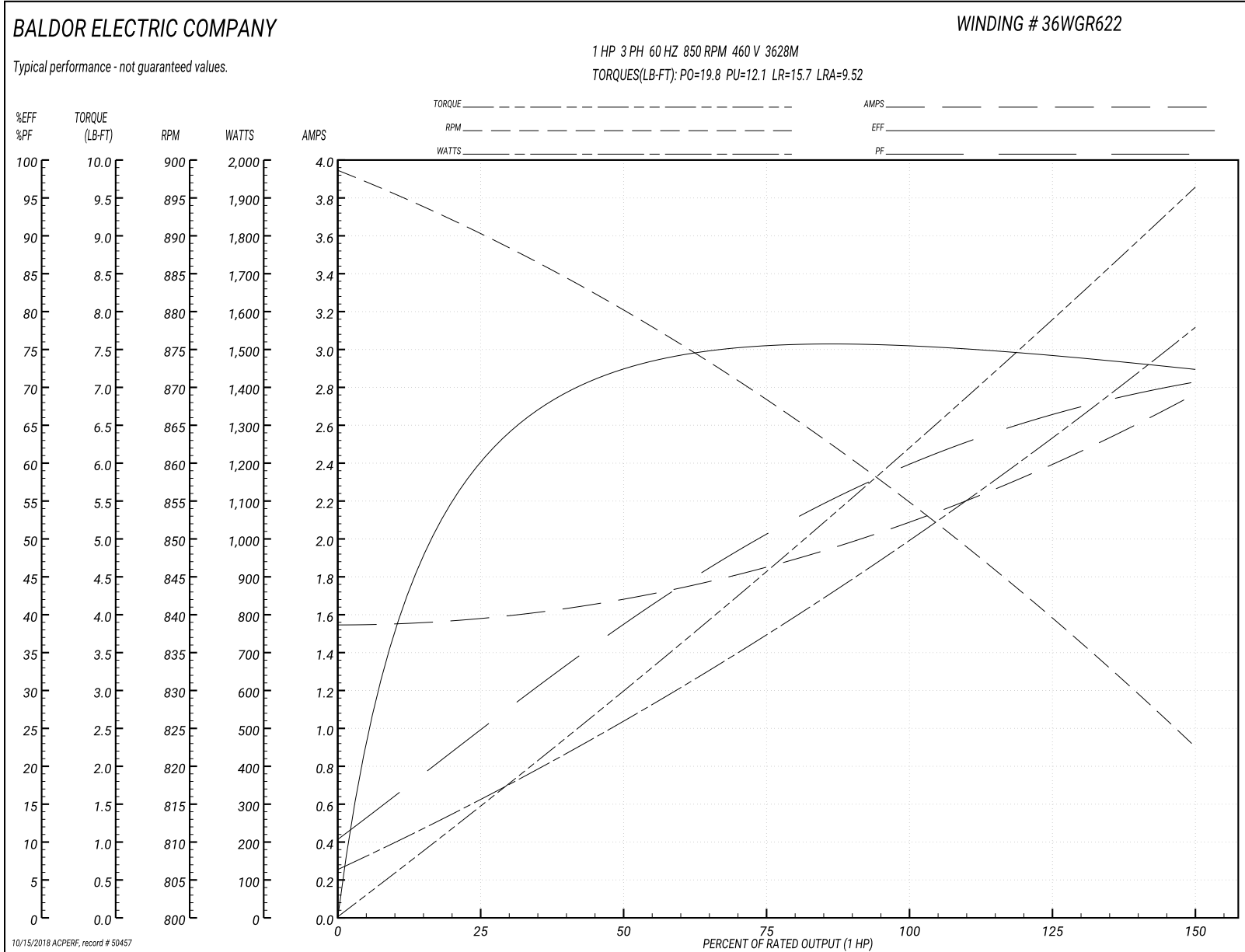
<b>Winding:</b> 36WGR622-R003	<b>Type:</b> 3628M	<b>Enclosure:</b> OPEN
-------------------------------	--------------------	------------------------

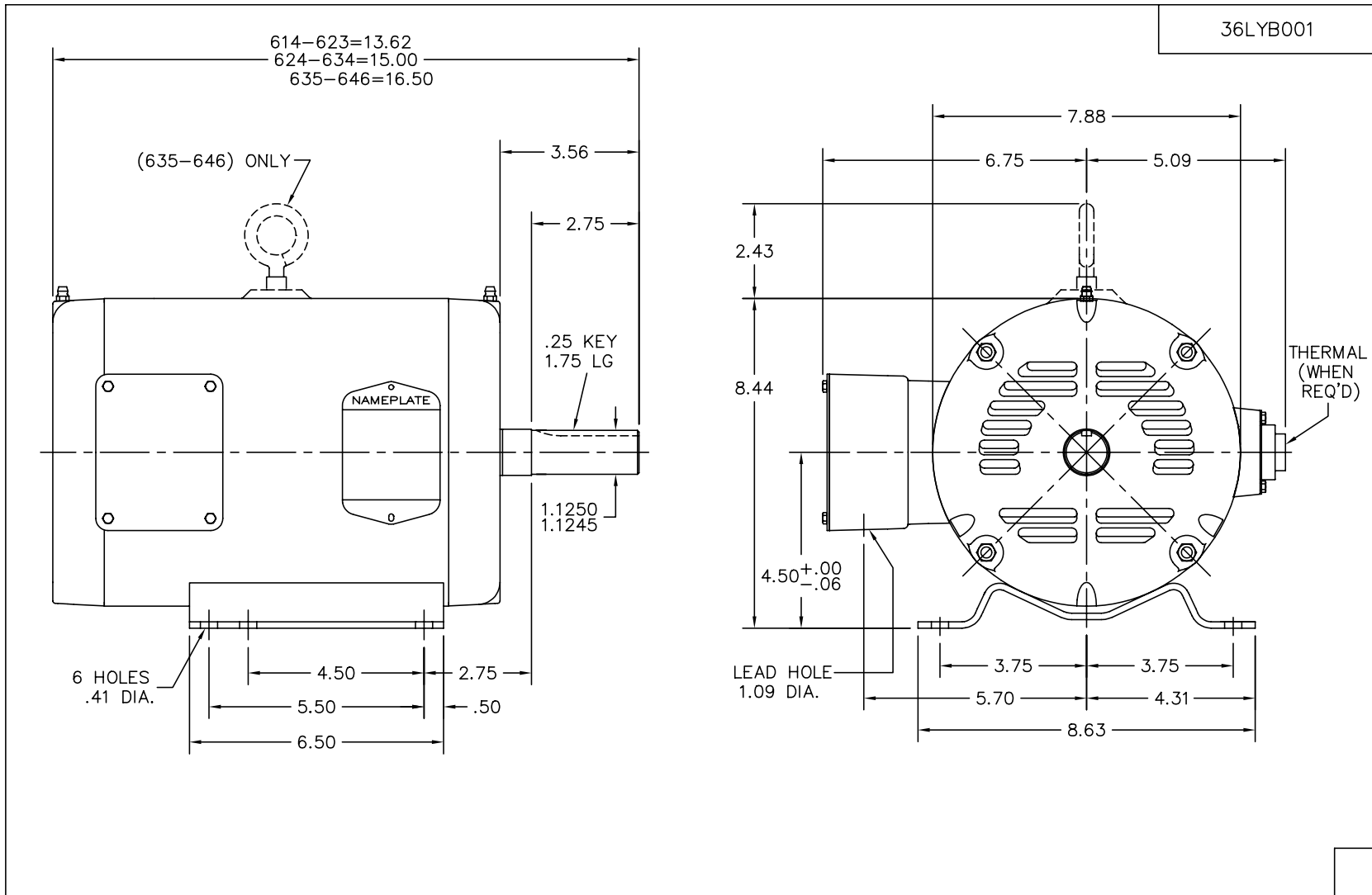
Nameplate Data				460 V, 60 Hz: High Voltage Connection	
Rated Output (HP)	1			Full Load Torque	6.26 LB-FT
Volts	230/460			Start Configuration	direct on line
Full Load Amps	4.2/2.1			Breakdown Torque	19.8 LB-FT
R.P.M.	850			Pull-up Torque	12.1 LB-FT
Hz	60	Phase	3	Locked-rotor Torque	15.7 LB-FT
NEMA Design Code	B	KVA Code	J	Starting Current	9.52 A
Service Factor (S.F.)	1.15			No-load Current	1.55 A
NEMA Nom. Eff.	75.5	Power Factor	60	Line-line Res. @ 25°C	15.2 Ω
Rating - Duty	40C AMB-CONT			Temp. Rise @ Rated Load	62°C
S.F. Amps				Temp. Rise @ S.F. Load	72°C
				Locked-rotor Power Factor	46.4
				Rotor inertia	0.263 LB-FT <sup>2</sup>

Load Characteristics 460 V, 60 Hz, 1 HP

% of Rated Load	25	50	75	100	125	150	S.F.
Power Factor	26	39	51	60	66	71	64
Efficiency	60.3	71.7	75.3	76	74.6	72.1	75.2
Speed	890	879	868	855	840	822	846
Line amperes	1.57	1.69	1.87	2.09	2.39	2.77	2.27

Performance Graph at 460V, 60Hz, 1.0HP Typical performance - Not guaranteed values





36LYB001

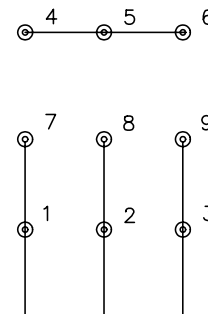
CUST. NAME		CUST. P.O.		CERTIFIED BY		MODEL		INSUL		AMB							
H.P.		MTG		TYPE		R.P.M.		VOLTS		ENCL		PHASE		FREQ		FRAME	
REV. DESC: CHG'D TO HAVE NEW NEC CONDUIT BOX												<b>BALDOR ELECTRIC Co.</b>  STANDARD HORZ NEMA 182-4T OPEN 36M					
REV. LTR: M		BY: JD		REVISED: 05/19/99 3:45				TDR: 0181963									
100A L95				FILE: AAA00002559				MDL: -									
				MTL: -								36LYB001					



CD0005

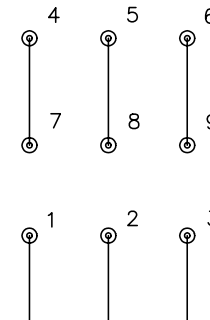


LOW VOLTAGE  
(2Y)



LINE

HIGH VOLTAGE  
(1Y)



LINE

NOTES:

1. INTERCHANGE ANY TWO LINE LEADS TO REVERSE ROTATION.
2. OPTIONAL THERMOSTATS ARE PROVIDED WHEN SPECIFIED.
3. ACTUAL NUMBER OF INTERNAL PARALLEL CIRCUITS MAY BE A MULTIPLE OF THOSE SHOWN ABOVE.
4. LEAD COLORS ARE OPTIONAL. LEADS MUST ALWAYS BE NUMBERED AS SHOWN.

REV. DESC: REVISE TO SHOW OPTIONAL COLORS

REV. LTR: E BY: JLP

REVISED: 01/19/99 10:15

TDR: 0171435

90000

FILE: AAA00005140

MDL: -

MTL: -

**BALDOR ELECTRIC Co.**

3PH, DV, 9 LEADS

CD0005