

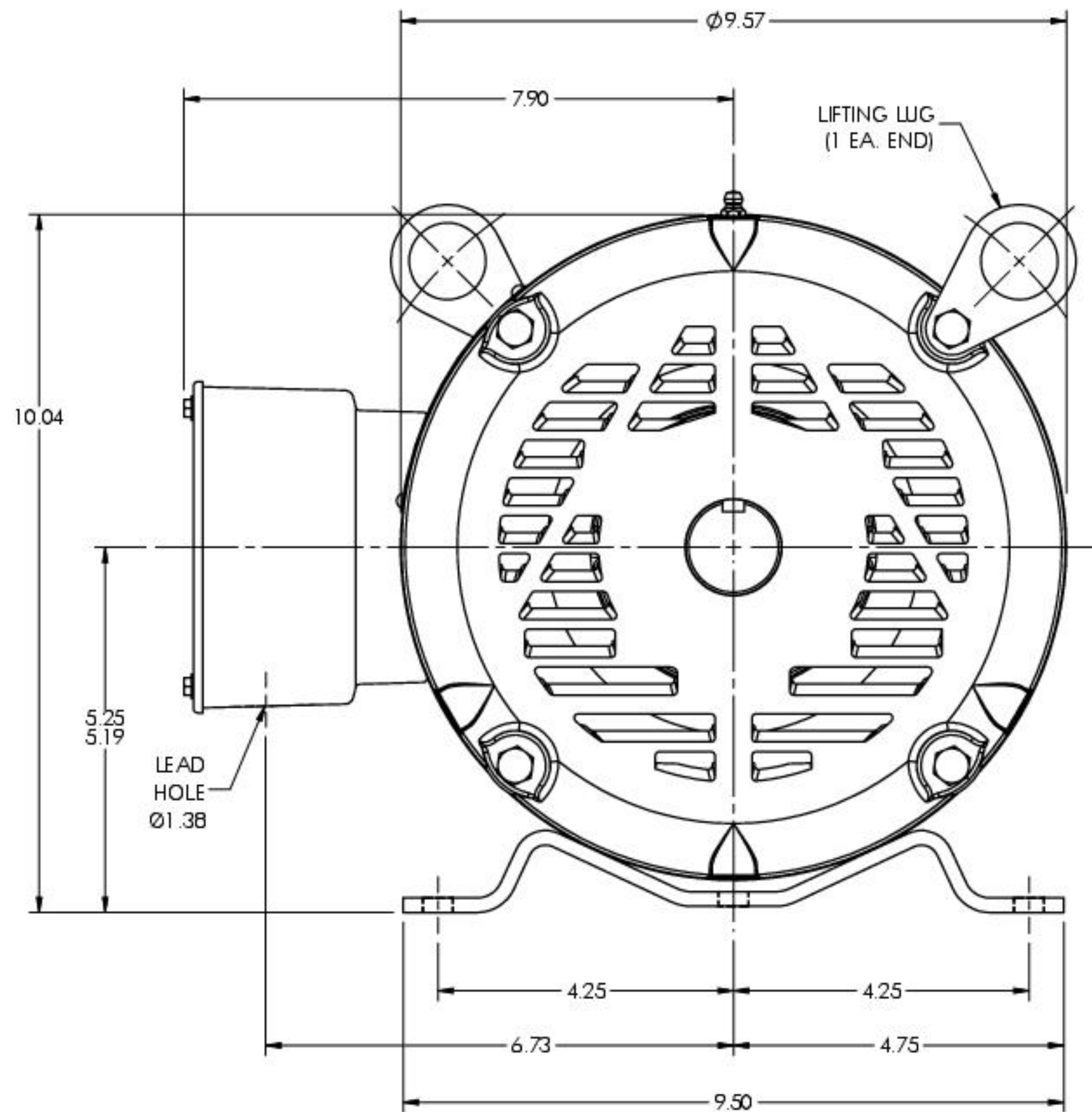
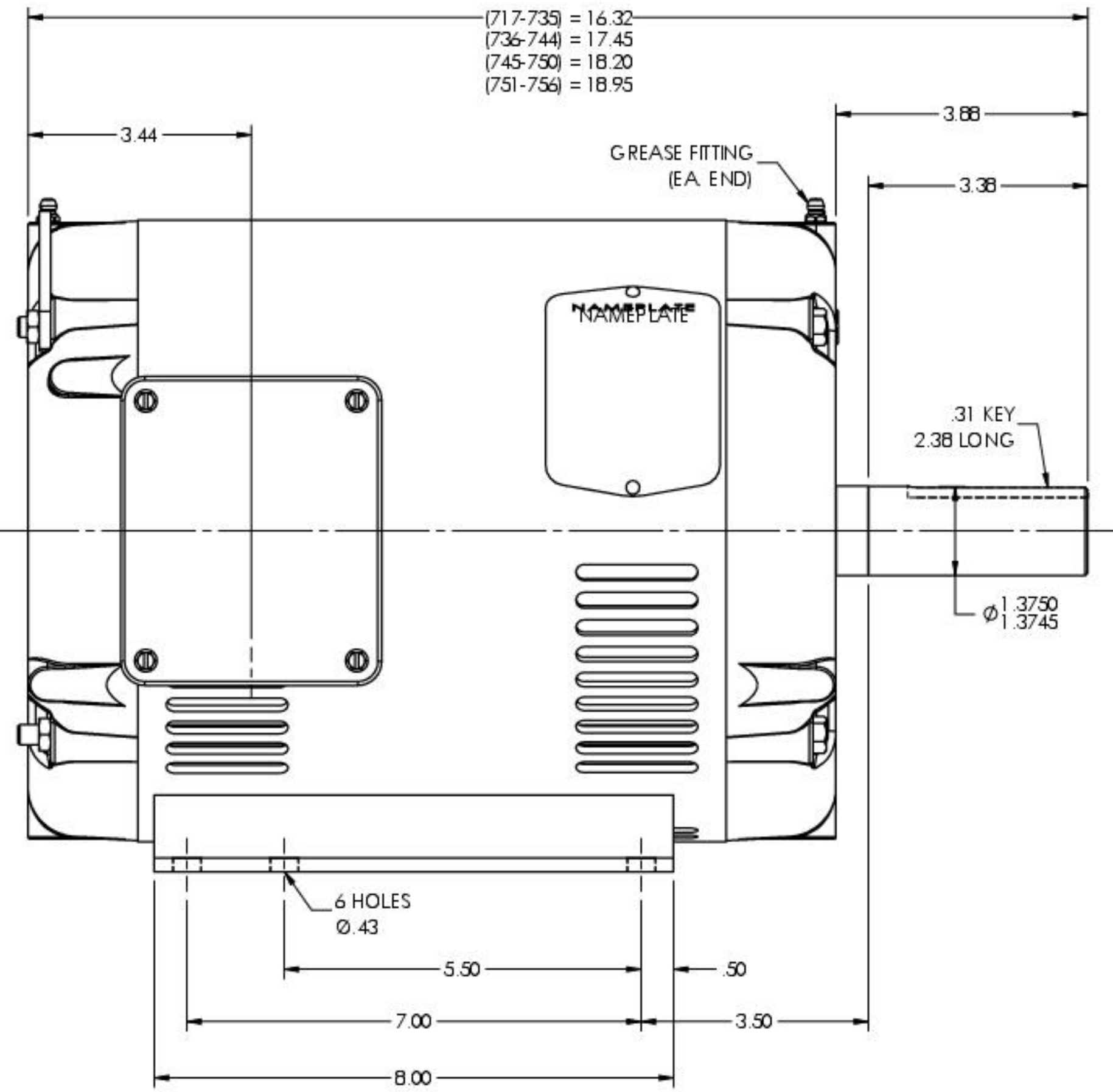
37LYF614

D

C

B

A



D

C

B

A

37LYF614

CUSTOMER IS RESPONSIBLE FOR DETERMINING THAT THE PRODUCT WILL PERFORM SUITABLY IN THE INTENDED APPLICATION

REV. DESC: UPDATE THRU-BOLT GRAPHICS			
REV: K	VERSION: 05	REVISED: 11:30:38 01/03/2024	TDR: 000001221774
MODEL NO. 37LYF614			REF: -
BY: USFRHAR			B

BALDOR - RELIANCE®

STD HORZ 213-5T OPS B 37M (SUPER-E)

8 7 6 5 4 3 2 1