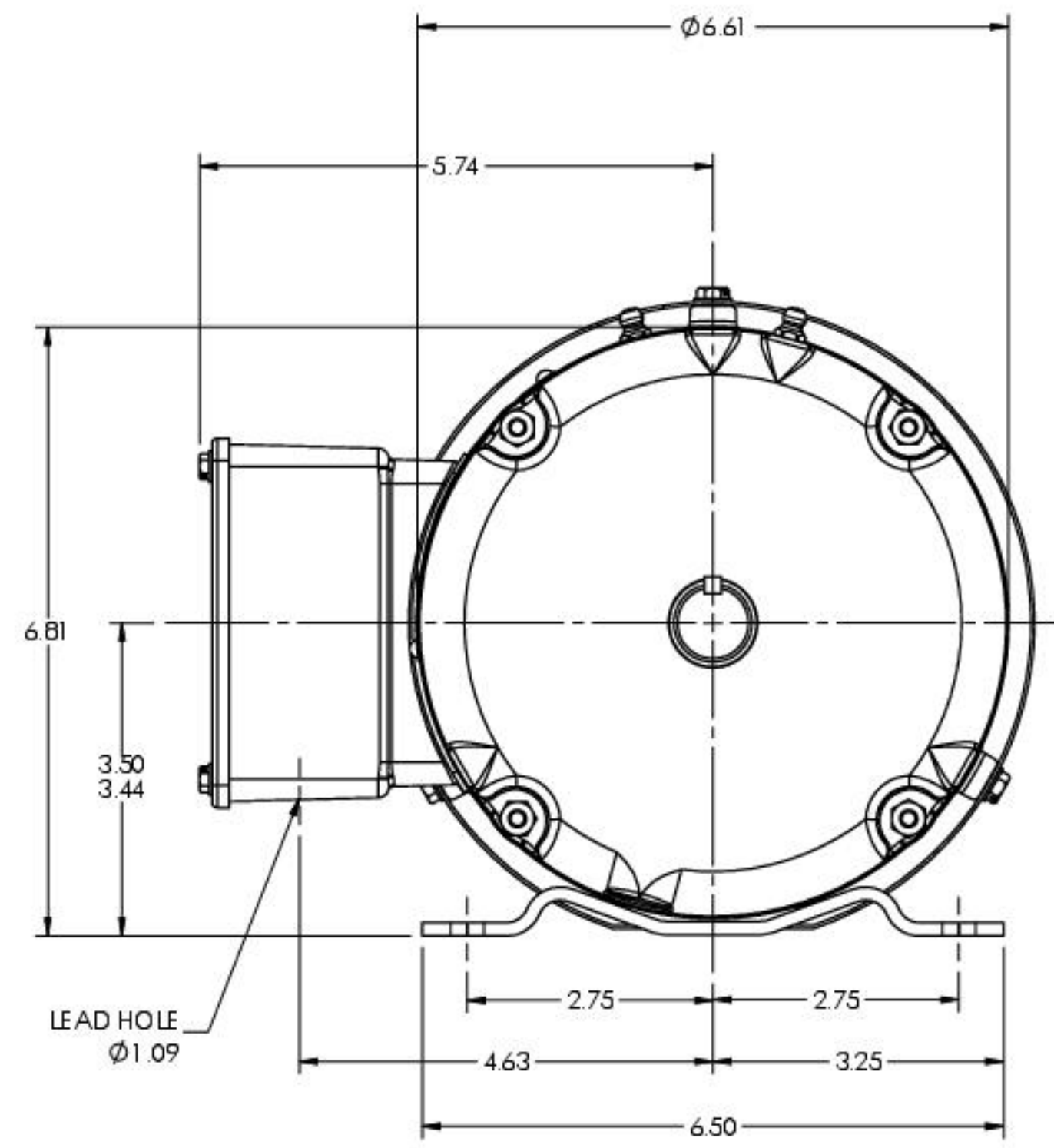
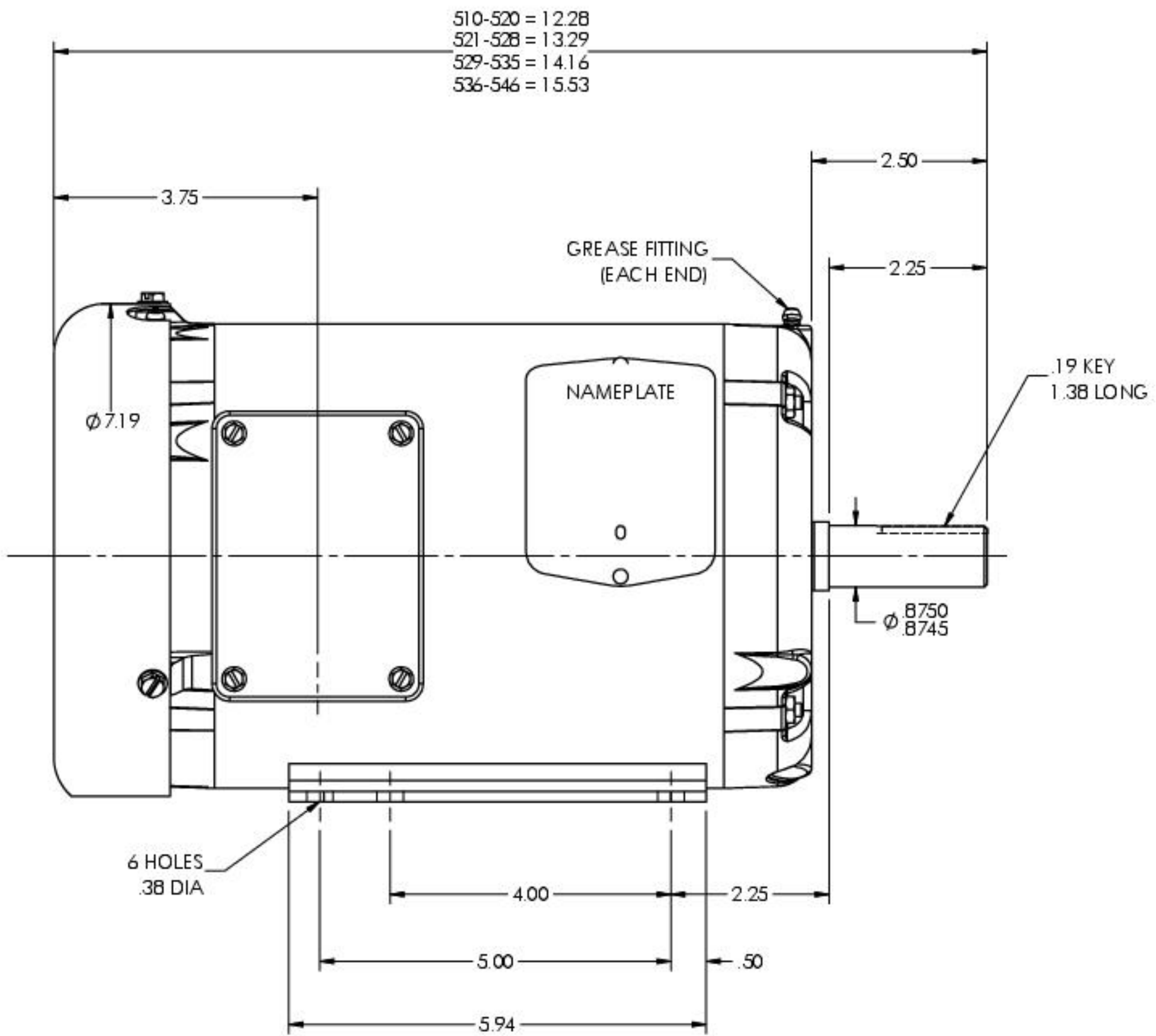


35LYTT638

D
C
B
A



D
C
B
A

35LYTT638

CUSTOMER IS RESPONSIBLE FOR DETERMINING THAT BALDOR'S PRODUCT WILL PERFORM SUITABLY IN THE INTENDED APPLICATION.

REV. DESC: LOADING OF S'WD DWG FOR 2D TO 3D CONVERSION			
REV: F	VERSION: 06	REVISED: 09:30:18 11/01/2018	TDR: 000001089746
MODEL NO: 35LYTT638			REF: -
BY: ENALEMO	Material: -		

BALDOR - RELIANCE®

HOR 143-5T TEFC 3.5M 2 POLE "W" BASE (35BA4009), 35CB3009
SH 1 of 1



8 7 6 5 4 3 2 1