

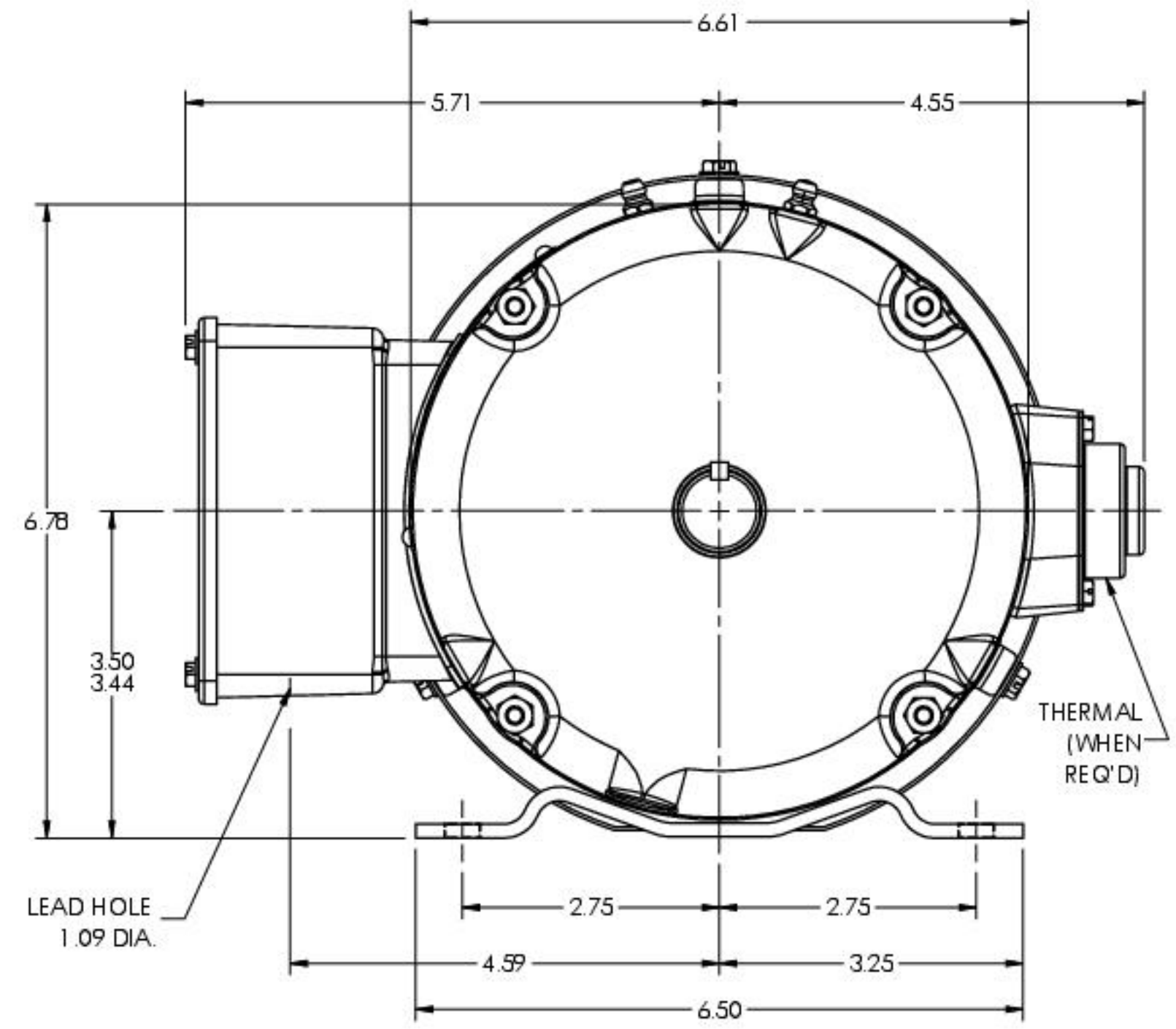
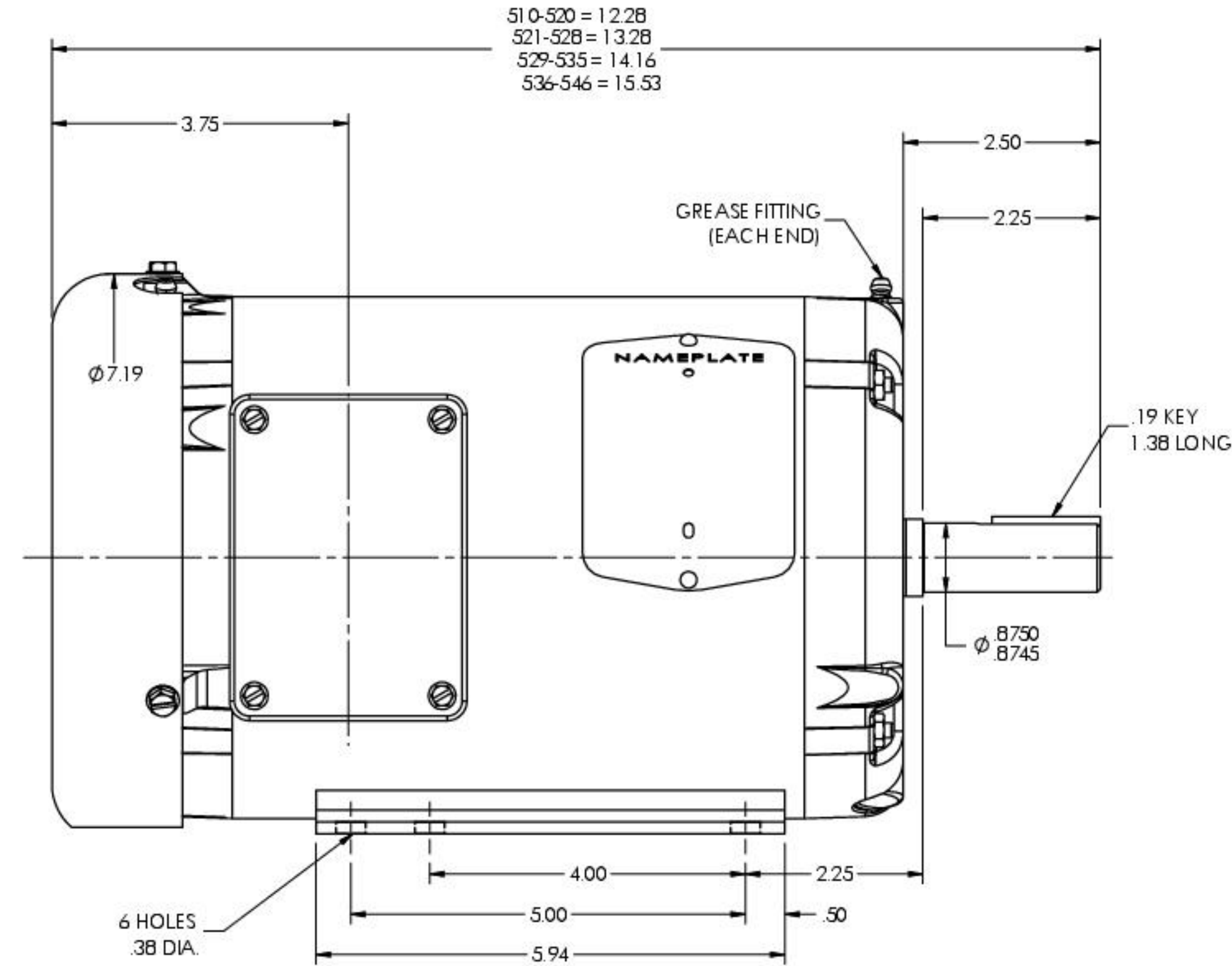
35LYAA001

D

C

B

A



D

C

B

A

35LYAA001

CUSTOMER IS RESPONSIBLE FOR DETERMINING THAT THE PRODUCT WILL PERFORM SUITABLY IN THE INTENDED APPLICATION

| | | | |
|--|-------------|------------------------------|--------------------|
| REV. DESC: ADD THERMAL DIMS AND THERMAL WHEN REQUIRED NOTE | | | |
| REV: F | VERSION: 06 | REVISED: 12:55:25 03/10/2023 | TDR: 00000120 5626 |
| MODEL NO. 35LYAA001 | | | REF: - |
| BY: USBUFRA | | | B |

BALDOR - RELIANCE®

STD HORZ 143-5T TEFC 35M W/1.09 LEAD HOLE

8 7 6 5 4 3 2 1