

BALDOR • RELIANCE

Customer information packet

EM3581T

1HP, 1760RPM, 3PH, 60HZ, 143T, 0520M, TEFC, F1

Class - None

Division - Not Applicable

Specifications

Enclosure	TEFC
Frame	143T
Frame Material	Iron
Frequency	60.00 Hz
Haz Area Class and Group	None
Haz Area Division	Not Applicable
Motor Letter Type	Three Phase
Output @ Frequency	1.000 HP @ 60 HZ
Phase	3
Synchronous Speed @ Frequency	1800 RPM @ 60 HZ
Voltage @ Frequency	460.0 V @ 60 HZ 230.0 V @ 60 HZ
Agency Approvals	CSA EEV CURUSEEV NEMA PREMIUM NEMA_PREMIUM UR
Ambient Temperature	40 °C
Auxillary Box	No Auxillary Box
Auxillary Box Lead Termination	None
Base Indicator	Rigid
Bearing Grease Type	Polyrex EM (-20F +300F)
Blower	None
Current @ Voltage	3.260 A @ 230.0 V 3.200 A @ 208.0 V 1.630 A @ 460.0 V
Design Code	B
Drip Cover	No Drip Cover
Duty Rating	CONT
Efficiency @ 100% Load	85.5 %
Electrically Isolated Bearing	Not Electrically Isolated
Feedback Device	NO FEEDBACK

Part detail

Revision	L
Type	AC
Mech. spec.	05C001
Base	
Status	PRD/A
Elec. spec.	05WGX508
Layout	05LYC001
Eff. date	04-29-2024
CD Diagram	CD0005
Poles	04
Leads	9#18
Proprietary	False
Created date	01-15-2019

Front Shaft Indicator	None
Heater Indicator	No Heater
High Voltage Full Load Amps	1.6 a
Insulation Class	F
Inverter Code	Inverter Ready
IP Rating	NONE
KVA Code	N
Lifting Lugs	Standard Lifting Lugs
Locked Bearing Indicator	No Locked Bearing
Motor Lead Quantity/Wire Size	9 @ 18 AWG
Motor Lead Termination	Flying Leads
Motor Standards	NEMA
Motor Type	0520M
Mounting Arrangement	F1
Number of Poles	4
Overall Length	12.54 IN
Power Factor	67
Product Family	General Purpose
Pulley End Bearing Type	Ball
Pulley Face Code	Standard
Pulley Shaft Indicator	Standard
Rodent Screen	None
RoHS Status	ROHS COMPLIANT
Service Factor	1.15
Shaft Diameter	0.875 IN
Shaft Ground Indicator	No Shaft Grounding
Shaft Rotation	Reversible
Shaft Slinger Indicator	No Slinger
Speed	1760 rpm
Speed Code	Single Speed
Starting Method	Direct on line
Thermal Device - Bearing	None
Thermal Device - Winding	None
Vibration Sensor Indicator	No Vibration Sensor

Winding Thermal 1	None
Winding Thermal 2	None

Nameplate

NP3441LUA

CAT.NO.	EM3581T						
SPEC	05C001X508G1						
HP	1						
VOLTS	230/460						
AMPS	3.26/1.63						
RPM	1760						
FRAME	143T		HZ	60		PH	3
SF	1.15	CODE	N	DES	B	CLASS	F
NEMA NOM. EFF	85.5	PF	67				
RATING	40C AMB-CONT						
CC	010A						
ENCL	TEFC	SER					
DE	6205	ODE	6203				
VPWM INVERTER READY	SFA 3.52/1.76						
CT6-60H(10:1)VT3-60H(20:1)	50HZ 1HP 190/380V 3.6/1.8A						SF1.0

Accessories

Part number	Description	Multiplier
35-1300	C FACE KIT	A8

AC Induction Motor Performance Data

Record # 82131

Typical performance - not guaranteed values

Winding: 05WGX508-R001		Type: 0520M	Enclosure: TEFC	
Nameplate Data			460 V, 60 Hz: High Voltage Connection	
Rated Output (HP)	1	Full Load Torque	2.979 LB-FT	
Volts	230/460	Start Configuration	direct on line	
Full Load Amps	3.2-3.2/1.6	Breakdown Torque	13.9 LB-FT	
R.P.M.	1760	Pull-up Torque	8 LB-FT	
Hz	60 Phase	Locked-rotor Torque	9.18 LB-FT	
NEMA Design Code	B KVA Code	Starting Current	14.4 A	
Service Factor (S.F.)	1.15	No-load Current	1.11 A	
NEMA Nom. Eff.	0 Power Factor	Line-line Res. @ 25°C	16.215 Ω	
Rating - Duty	40C AMB-CONT	Temp. Rise @ Rated Load	24°C	
S.F. Amps		Temp. Rise @ S.F. Load	28°C	
		Locked-rotor Power Factor	62	

Load Characteristics 460 V, 60 Hz, 1 HP

% of Rated Load	25	50	75	100	125	150	S.F.
Power Factor	29	46	59	68	74	79	72
Efficiency	71.2	81.4	84.6	85.5	85.4	84.7	85.4
Speed	1791.4	1784.2	1776.7	1768.6	1760	1750.7	1763
Line amperes	1.14	1.25	1.41	1.61	1.84	2.11	1.75

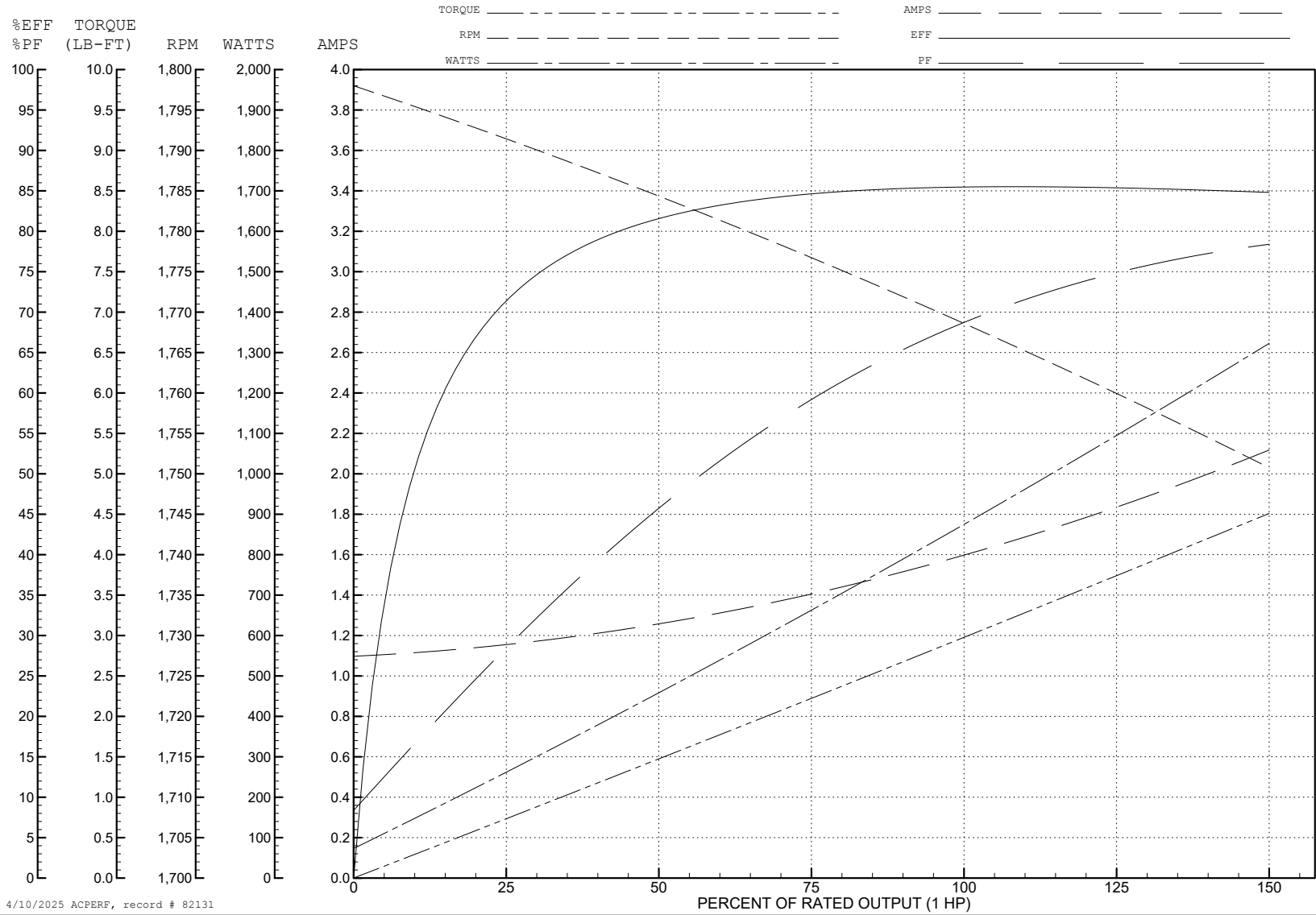
ABB Motors and Mechanical Inc.

WINDING # 05WGX508

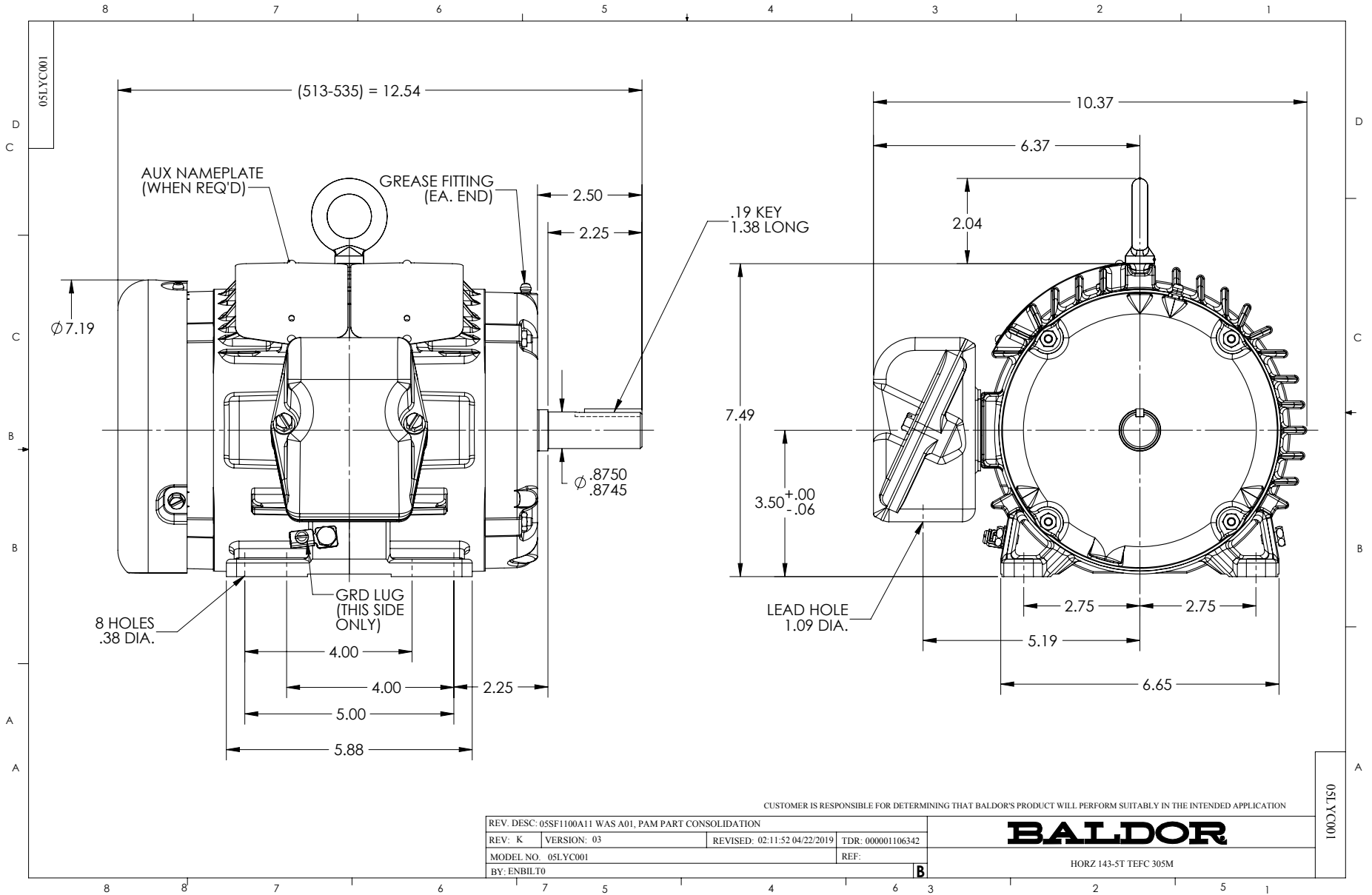
Typical performance - not guaranteed values.

1 HP 3 PH 60 HZ 1760 RPM 460 V 0520M

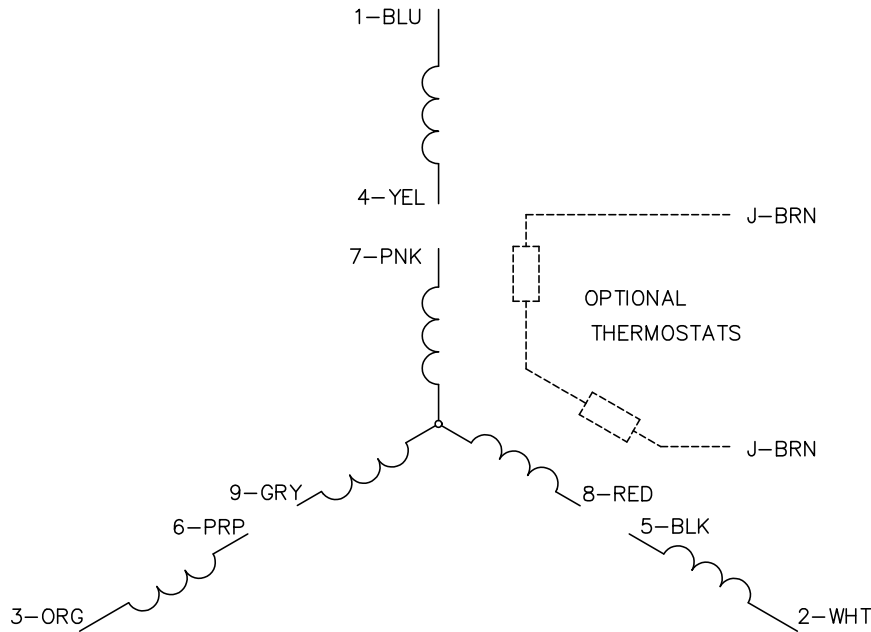
TORQUES (LB-FT): PO=13.9 PU=8 LR=9.18 LRA=14.4



4/10/2025 ACPERF, record # 82131



CD0005



LOW VOLTAGE
(2Y)



LINE

HIGH VOLTAGE
(1Y)



LINE

NOTES:

1. INTERCHANGE ANY TWO LINE LEADS TO REVERSE ROTATION.
2. OPTIONAL THERMOSTATS ARE PROVIDED WHEN SPECIFIED.
3. ACTUAL NUMBER OF INTERNAL PARALLEL CIRCUITS MAY BE A MULTIPLE OF THOSE SHOWN ABOVE.
4. LEAD COLORS ARE OPTIONAL. LEADS MUST ALWAYS BE NUMBERED AS SHOWN.

REV. DESC: REVISE TO SHOW OPTIONAL COLORS			
REV. LTR: E	BY: JLP	REVISED: 01/19/99 10:15	TDR: 0171435
S00000		FILE: AAA00005140	MDL: -
		MTL: -	

BALDOR ELECTRIC Co.

3PH, DV, 9 LEADS

CD0005