

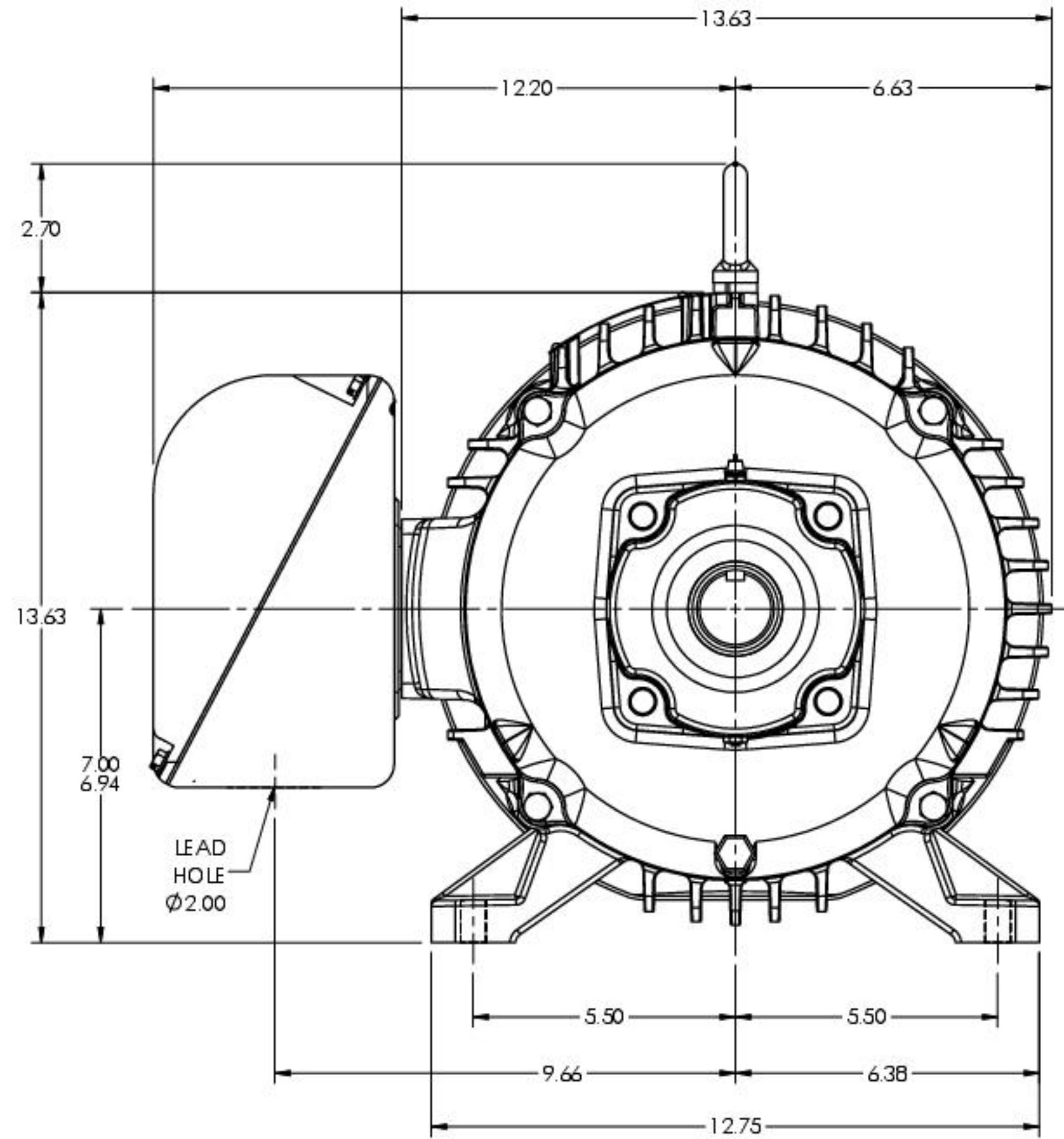
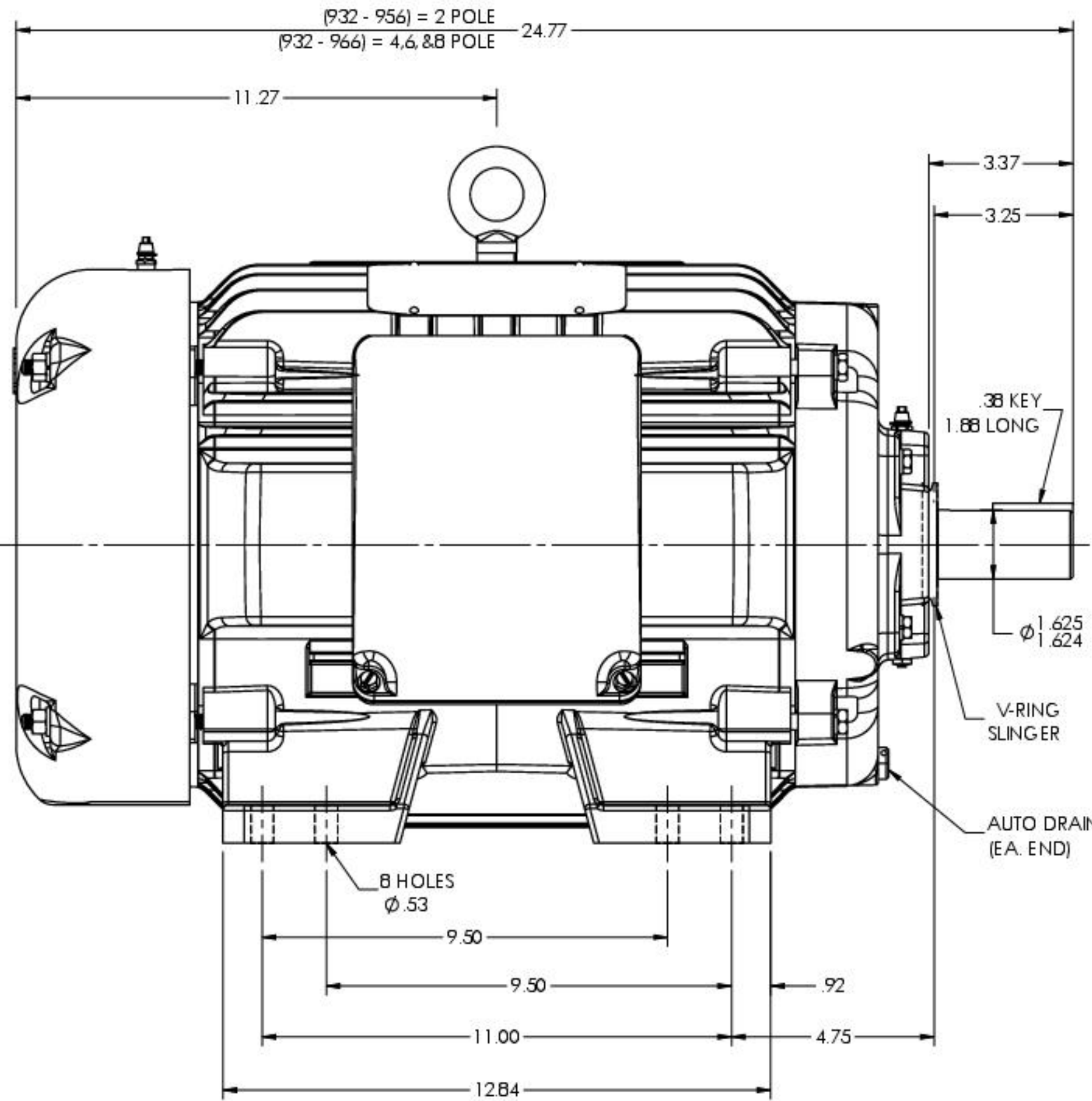
09LYF629

D

C

B

A



D

C

B

A

09LYF629

CUSTOMER IS RESPONSIBLE FOR DETERMINING THAT THE PRODUCT WILL PERFORM SUITABLY IN THE INTENDED APPLICATION

REV. DESC: LIFECYCLE, REPLACE 09SF1117A05 W/09 SF1116A02			
REV: N	VERSION: 11	REVISED: 04:27:41 02/17/2022	TDR: 000001186130
MODEL NO. 09LYF629			REF: -
BY: ENFRAJD			B

BALDOR - RELIANCE®

HORZ TFC 2846TS

8

7

6

5

4

3

2

1