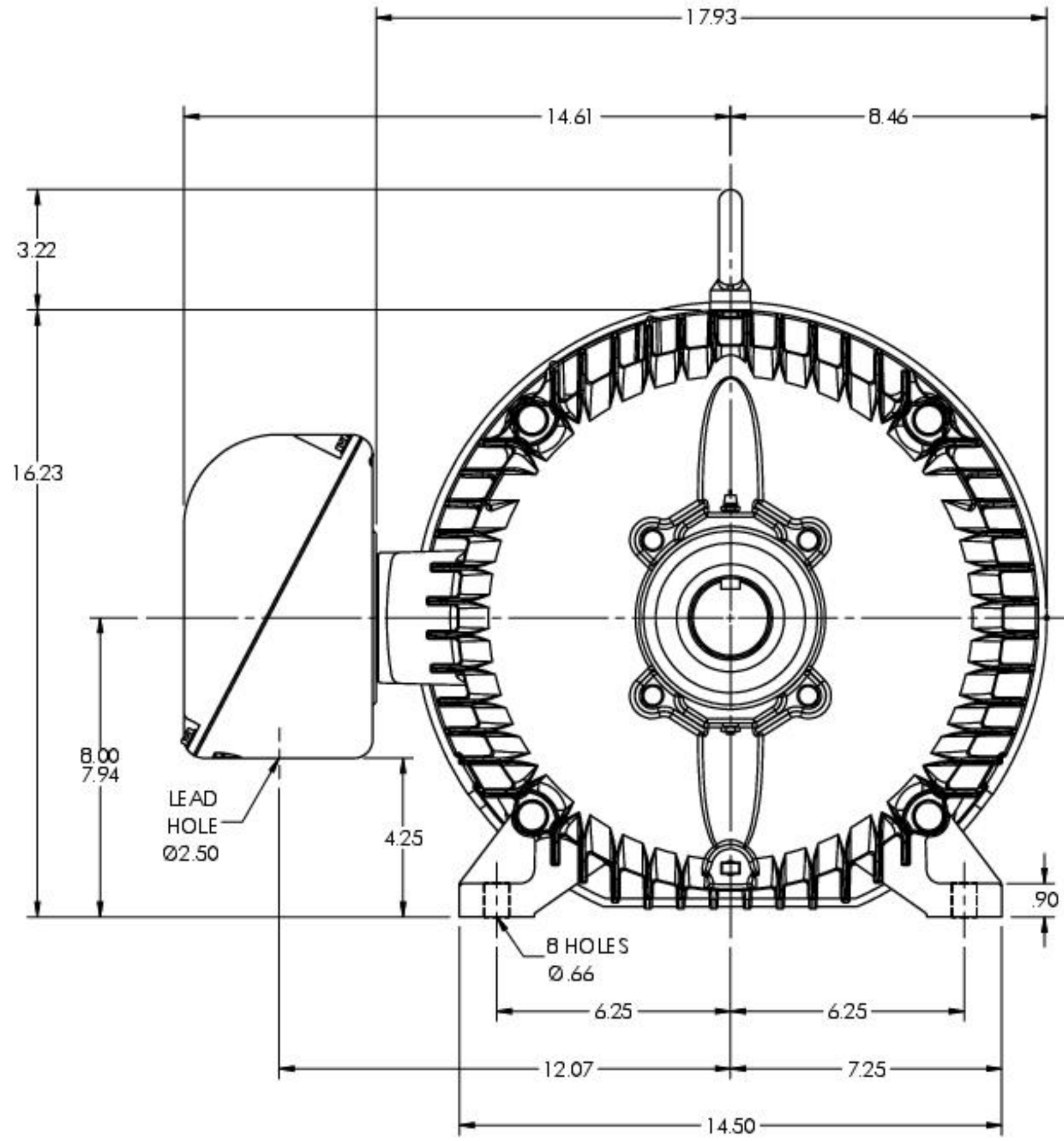
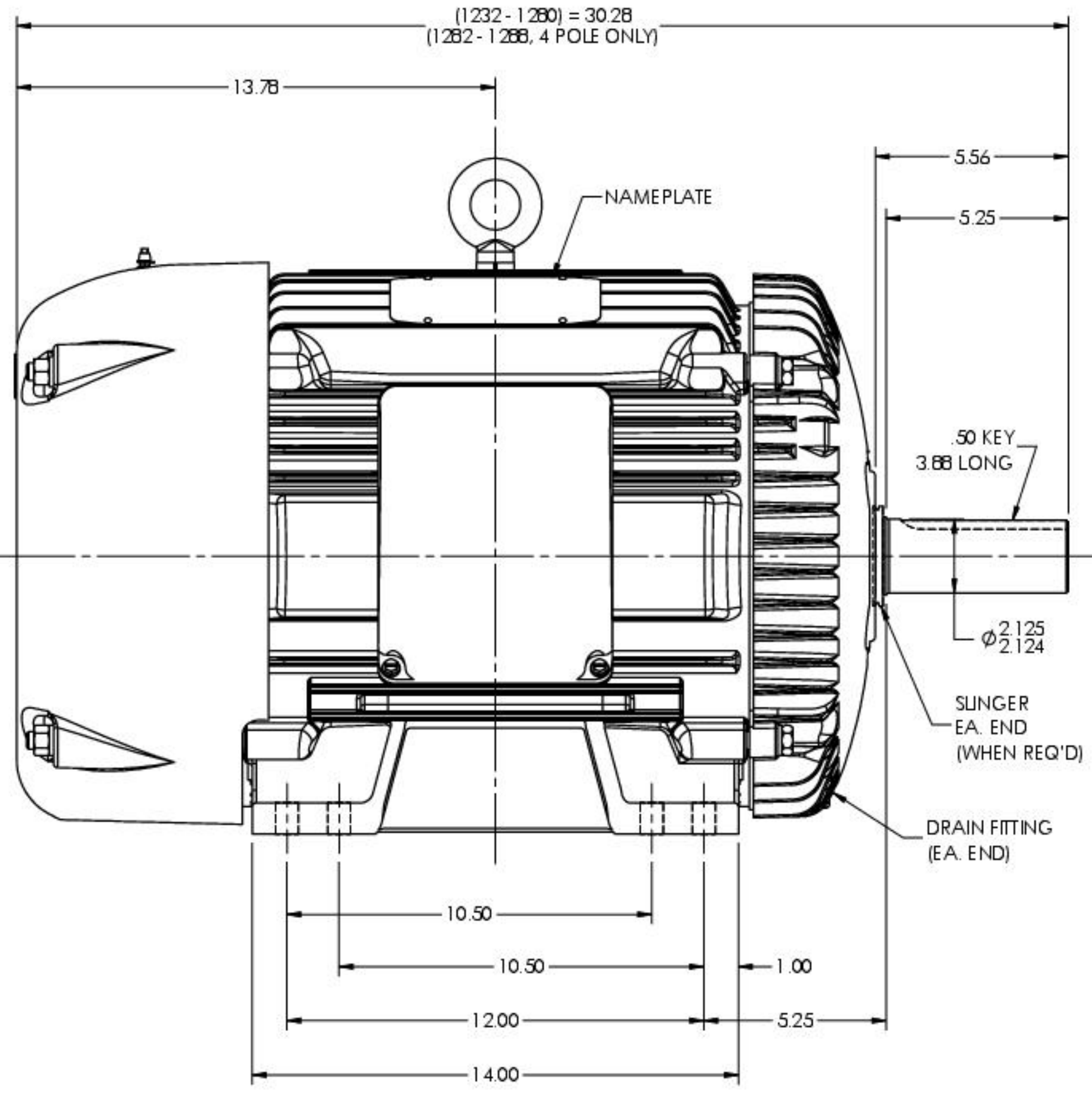


12LYH013

D
C
B
A



D
C
B
A

12LYH013

CUSTOMER IS RESPONSIBLE FOR DETERMINING THAT THE PRODUCT WILL PERFORM SUITABLY IN THE INTENDED APPLICATION

| | | | |
|---|-------------|------------------------------|-------------------|
| REV. DESC: UPDATE STACK TO 128SM MAX, 4 POLE ONLY | | | |
| REV: M | VERSION: 08 | REVISED: 03:27:55 07/14/2023 | TDR: 000001212759 |
| MODEL NO. 12LYH013 | | | REF: - |
| BY: ENBRID | | | B |

BALDOR - RELIANCE®

HORZ TEFC 324-6T, HI-EFF

8 7 6 5 4 3 2 1