

BALDOR® • RELIANCE 

Product Information Packet

EM4312T-G

50HP, 1185RPM, 3PH, 60HZ, 365T, A36062M, TEFC

Part Detail							
Revision:	K	Status:	PRD/A	Change #:		Proprietary:	No
Type:	AC	Elec. Spec:	A36WG1227	CD Diagram:	416820-002	Mfg Plant:	
Mech. Spec:		Layout:	617428-021	Poles:	06	Created Date:	12-13-2011
Base:		Eff. Date:	03-22-2018	Leads:	3#4,6#6		

Specs			
Catalog Number:	EM4312T-G	Feedback Device:	NO FEEDBACK
Enclosure:	TEFC	Heater Indicator:	No Heater
Frame:	365T	Insulation Class:	H
Frame Material:	Iron	Inverter Code:	Not Inverter
Output @ Frequency:	50.000 HP @ 60 HZ	KVA Code:	F
Synchronous Speed @ Frequency:	1200 RPM @ 60 HZ	Lifting Lugs:	Standard Lifting Lugs
Voltage @ Frequency:	230.0 V @ 60 HZ	Motor Lead Quantity/Wire Size:	3 @ 4 AWG
	460.0 V @ 60 HZ	Motor Type:	A36062M
XP Class and Group:	None	Mounting Arrangement:	F1
XP Division:	Not Applicable	Power Factor:	81
Agency Approvals:	CCSA US	Product Family:	General Industrial
	CSA EEV	Pulley End Bearing Type:	Ball
Auxillary Box:	No Auxillary Box	Pulley Face Code:	Standard
Base Indicator:	Rigid	Shaft Ground Indicator:	Shaft Grounding
Bearing Grease Type:	Polyrex EM (-20F +300F)	Shaft Rotation:	Reversible
Current @ Voltage:	123.000 A @ 230.0 V	Shaft Slinger Indicator:	No Slinger
	61.700 A @ 460.0 V	Speed Code:	Single Speed
Design Code:	B	Motor Standards:	NEMA

Drip Cover:	No Drip Cover	Starting Method:	Direct on line
Duty Rating:	CONT	Thermal Device - Bearing:	NONE (OLD)
		Thermal Device - Winding:	None

Nameplate NP2496L

MOBIL POLYREX EM

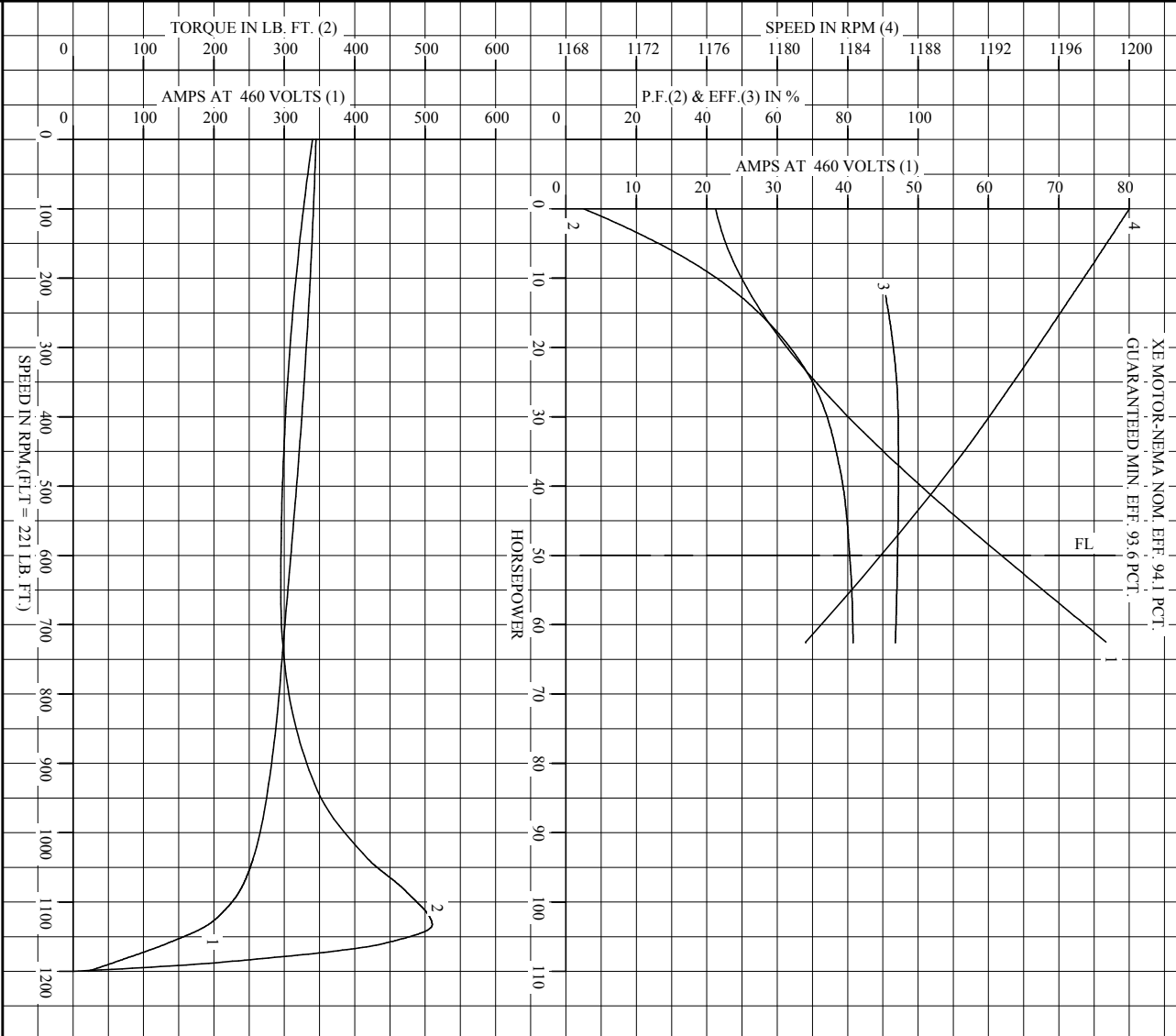
Nameplate NP2383L										
CAT.NO.	EM4312T-G			SPEC NO.	A36-1283-1227					
HP	50	AMPS	123/61.7		VOLTS	230/460		DESIGN	B	
FRAME	365T	RPM	1185	HZ	60	AMB	40	SF	1.15	
DRIVE END BEARING	65BC03J30X			PHASE	3	DUTY	CONT		INSUL.CLASS	H
OPP D.E. BEARING	65BC03J30X			TYPE	P	ENCL	TEFC	CODE	F	
SER.NO.				POWER FACTOR	81		NEMA-NOM-EFFICIENCY	94.1		
NEMA NOM/CSA QUOTED EFF				MAX CORR KVAR	14.0		GUARANTEED EFFICIENCY	93.6		
				MOTOR WEIGHT						

Parts List		
Part Number	Description	Quantity
SA235677	SA A36-1283-1227	1.000 EA
RA222636	RA A36-1283-1227	1.000 EA
421948032	LABEL, MYLAR	1.000 EA
NP2496L	MOTOR LUBE NAMEPLATE	1.000 EA
000613006PU	N/P (RELEASE QTY 10,000) UL CSA LABEL	1.000 EA
000692000VD	LABEL WARNING	1.000 EA
NP2383L	SUPER-E ,SS, CC, CSA-C US, CSA EEV	1.000 EA
085922073B	BRKT 360 085922072WCC KB	1.000 EA
415072001B	CLAMP	1.000 EA
078559001A	+FANCV - 360	1.000 EA
034180012DA	KEY 1X4X1/4X1-1/2 L	1.000 EA
078550001M	FAN KB 60/30 (30) 360	1.000 EA
004824015A	GREASE POLYREX EM	0.540 LB
032018012DK	HHCS 1/2-13X1-1/2 PLTD.	4.000 EA
032018008AK	HHCS 1/4-20X1 PLATED	4.000 EA
032018024CK	HHCS 3/8-16X3 PLTD.	3.000 EA
415096002A	CPLG 1/8 HEX TYPE	1.000 EA
410700004F	WSHR	1.000 EA
035000001G	GREASE RELIEF FITTING, ALEMITE 317400	1.000 EA
035000001G	GREASE RELIEF FITTING, ALEMITE 317400	1.000 EA
034530052AB	P/NIP 1/8X6-1/2 GALV.	1.000 EA
034690001AB	1/8" NPT SQHDPLG	1.000 EA
034600001AA	BUSH 1/4TO1/8 BLACK	1.000 EA
034690001AB	1/8" NPT SQHDPLG	1.000 EA

Parts List (continued)		
Part Number	Description	Quantity
415045002E	SLGR	1.000 EA
034600001AA	BUSH 1/4TO1/8 BLACK	1.000 EA
085922073B	BRKT 360 085922072WCC KB	1.000 EA
032018012DK	HHCS 1/2-13X1-1/2 PLTD.	4.000 EA
032018024CK	HHCS 3/8-16X3 PLTD.	3.000 EA
077176000L	C/BOX, 360-400	1.000 EA
BP5327	SHAFT GRD BRUSH (SGR-74.7-3CFHAT2)	1.000 EA
077176001A	CBOXC, PAINTED 360-400	1.000 EA
043292000AJ	GASK 320-400	1.000 EA
402731001A	GASK 360-440	1.000 EA
418150003A	GREASE FITTING CAP	1.000 EA
MG1025Y17	WILKOFAS, 789.701, SUPER E PEARL GOLD	0.250 GA
032018005AK	HHCS 1/4-20X5/8 PLATED	4.000 EA
032018008CK	HHCS 3/8-16X1L PLATED	4.000 EA
035000001A	ALFTG 1/8" 1610-BL	1.000 EA
418150003A	GREASE FITTING CAP	1.000 EA
415000103D	T/LUG #4AWG-1/0AWG W/HOLE FOR .250 BOLT	1.000 EA
406099000A	PLUG - FAN COVER 320-440	1.000 EA
033512004LB	HHTTS 1/4-20X1/2 PLTD.	1.000 EA
035000001A	ALFTG 1/8" 1610-BL	1.000 EA
033775004EA	DRSCR #6-1/4 304 S.S.	2.000 EA
034180034HA	KEY 5/8X5/8X4-1/4 L	1.000 EA
HW1000A32	5/16 FL WASHER WIDE, ID=.344, OD=1.125	3.000 EA
032509020C	CARRIAGE BOLT - 360	3.000 EA

14PA1000	PACKAGING 314 GROUP COMBINED PRINT	1.000 EA
----------	------------------------------------	----------

REL. S.O. _____ RPM 1185 S.F. 1.15 ROTOR 418141-74EE
 FRAME 365T VOLTS 230/460 NEMA DESIGN B TEST S.O. TYPICAL DATA
 HP 50 AMPS 123/61.7 CODE LETTER F TEST DATE ---
 TYPE P DUTY CONT ENCLOSURE TEFC STATOR RES. @ 25 °C .0325/.130
 PHASE/HERTZ 3/60 AMB °C/INSUL 40/H E/S 492287 OHMS (BETWEEN LINES)



AMPERES SHOWN FOR 460 VOLT CONNECTION, IF OTHER VOLTAGE CONNECTIONS ARE AVAILABLE, THE AMPERES WILL VARY INVERSELY WITH THE RATED VOLTAGE.

BALDOR
 A MEMBER OF THE ABB GROUP

DR. BY G.R. WEBB
 CK. BY W.L. SMITH
 APP. BY W.L. SMITH
 DATE 12/12/11

A-C MOTOR PERFORMANCE CURVES
 A36WG1227-R006
 ISSUE DATE 12/12/11

Printed on 12/12/11 14:09 @ ragsun

REL. S.O.	FRAME	HP	TYPE	PHASE/HERTZ	RPM	VOLTS
	365T	50	P	3/60	1185	230/460
AMPS	DUTY	AMB °C/ INSUL.	S.F.	NEMA DESIGN	CODE LETTER	ENCL.
123/61.7	CONT	40/H	1.15	B	F	TEFC
E/S	ROTOR	TEST S.O.	TEST DATE	STATOR RES. @25 °C (BETWEEN LINES)		
492287	418141-7AEE	---	---	.0325/.130		

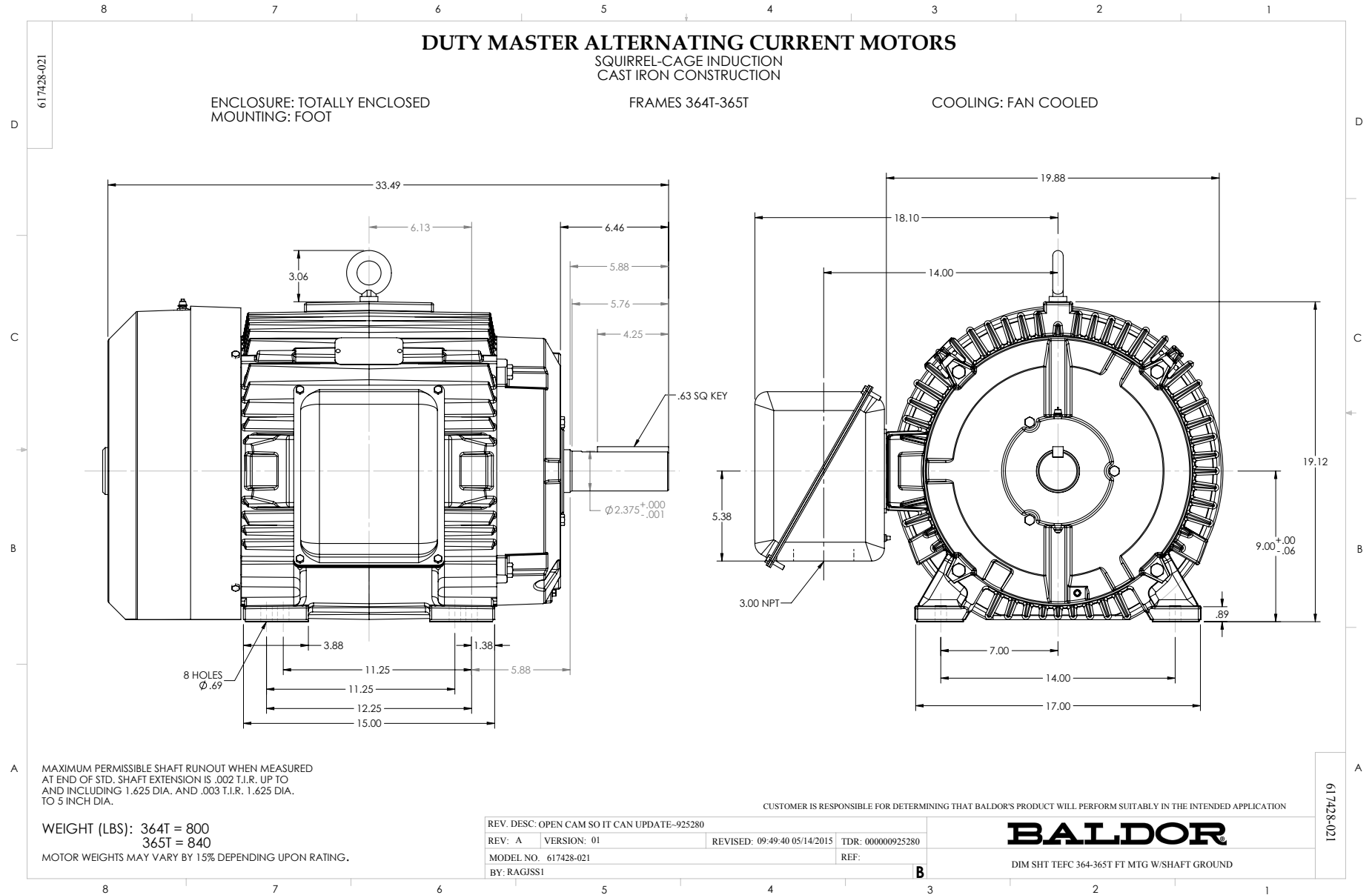
PERFORMANCE						
LOAD	HP	AMPERES	RPM	POWER FACTOR %	EFFICIENCY %	
NO LOAD	0	21.3	1200	5.08	0	
1/4	12.5	26.2	1197	49.4	90.8	
2/4	25.0	35.6	1193	70.0	93.9	
3/4	37.5	47.8	1190	77.8	94.4	
4/4	50.0	61.7	1186	80.6	94.2	
5/4	62.5	76.7	1182	81.5	93.6	

SPEED TORQUE						
	RPM	TORQUE % FULL LOAD	TORQUE LB.-FT.	AMPERES		
LOCKED ROTOR	0	154	340	345		
PULL UP	650	133	295	305		
BREAKDOWN	1133	230	510	191		
FULL LOAD	1186	100	221	61.7		

AMPERES SHOWN FOR 460. VOLT CONNECTION. IF OTHER VOLTAGE CONNECTIONS ARE AVAILABLE, THE AMPERES WILL VARY INVERSELY WITH THE RATED VOLTAGE

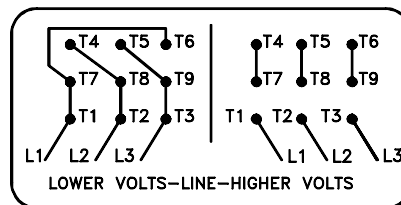
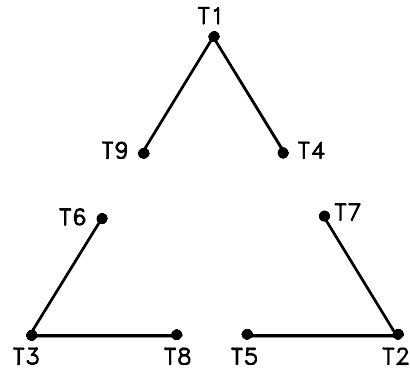
REMARKS: TYPICAL DATA
 XE MOTOR-NEMA NOM. EFF. 94.1 PCT.
 GUARANTEED MIN. EFF. 93.6 PCT.

<p>BALDOR A MEMBER OF THE ABB GROUP</p>	DR. BY	G. R. WEBB	<p>A-C MOTOR PERFORMANCE DATA</p>
	CK. BY	W. L. SMITH	
	APP. BY	W. L. SMITH	ISSUE DATE
	DATE	12/12/11	12/12/11



416820-002

A-C MOTOR
 CONNECTION DIAGRAM
 STANDARD 9 LEAD DELTA-CONNECTED



(N.P. 1575-B)

416820-002

REV. DESC: LOADED TO BUS, C/R 335225		
REV. LTR: -	VERSION: 00	TDR: 000000538207
FILE: \MGA\00000\661	REVISED: 10:47:51 04/30/2010	
MTL: -	BY: RAGRA	

BALDOR

CONN DIAG - STANDARD 9 LEAD, DELTA-CONNECTED

SH 1 of 1

Marketing maintained PDF of MN408:

<http://www.baldor.com/support/Literature/Load.ashx/MN408?ManNumber=MN408>

Marketing maintained PDF of MN416:

<http://www.baldor.com/support/Literature/Load.ashx/MN416?ManNumber=MN416>