

BALDOR[®] • RELIANCE 

Product Information Packet

EM4313T

75HP,3550RPM,3PH,60HZ,365TS,1464M,TEFC,F

Part Detail							
Revision:	R	Status:	PRD/A	Change #:		Proprietary:	No
Type:	AC	Elec. Spec:	A36WG0107	CD Diagram:	416820-002	Mfg Plant:	
Mech. Spec:		Layout:	617428-013	Poles:	02	Created Date:	10-19-2010
Base:		Eff. Date:	02-28-2018	Leads:	3#2,6#4		

Specs			
Catalog Number:	EM4313T	Feedback Device:	NO FEEDBACK
Enclosure:	TEFC	Heater Indicator:	No Heater
Frame:	365TS	Insulation Class:	F
Frame Material:	Iron	Inverter Code:	Inverter Ready
Output @ Frequency:	75.000 HP @ 60 HZ	KVA Code:	F
Synchronous Speed @ Frequency:	3600 RPM @ 60 HZ	Lifting Lugs:	Standard Lifting Lugs
Voltage @ Frequency:	230.0 V @ 60 HZ	Motor Lead Quantity/Wire Size:	3 @ 2 AWG
	460.0 V @ 60 HZ	Motor Type:	A36068M
XP Class and Group:	None	Mounting Arrangement:	F1
XP Division:	Not Applicable	Power Factor:	92
Agency Approvals:	CCSA US	Pulley End Bearing Type:	Ball
	CSA EEV	Pulley Face Code:	Standard
Auxillary Box:	No Auxillary Box	Shaft Ground Indicator:	No Shaft Grounding
Base Indicator:	Rigid	Shaft Rotation:	Reversible
Bearing Grease Type:	Polyrex EM (-20F +300F)	Shaft Slinger Indicator:	No Slinger
Current @ Voltage:	161.000 A @ 230.0 V	Speed Code:	Single Speed
	80.700 A @ 460.0 V	Motor Standards:	NEMA
Design Code:	B	Starting Method:	Direct on line

Drip Cover:	No Drip Cover	Thermal Device - Bearing:	None
Duty Rating:	CONT	Thermal Device - Winding:	None

Nameplate NP2383L										
CAT.NO.	EM4313T			SPEC NO.	P36G3406					
HP	75	AMPS	161/80.7		VOLTS	230/460		DESIGN	B	
FRAME	365TS	RPM	3555	HZ	60	AMB	40	SF	1.15	
DRIVE END BEARING	65BC03J30X			PHASE	3	DUTY	CONT		INSUL.CLASS	F
OPP D.E. BEARING	65BC03J30X			TYPE	P	ENCL	TEFC	CODE	F	
SER.NO.				POWER FACTOR	92		NEMA-NOM-EFFICIENCY	93.6		
NEMA NOM/CSA QUOTED EFF				MAX CORR KVAR	05.0		GUARANTEED EFFICIENCY	92.4		
				MOTOR WEIGHT						

Parts List		
Part Number	Description	Quantity
SA209376	SA P36G3406	1.000 EA
RA196638	RA P36G3406	1.000 EA
000613006PU	N/P (RELEASE QTY 10,000) UL CSA LABEL	1.000 EA
000692000VD	LABEL WARNING	1.000 EA
NP2383L	SUPER-E ,SS, CC, CSA-C US, CSA EEV	1.000 EA
421948032	LABEL, MYLAR	1.000 EA
004824015A	GREASE POLYREX EM	0.544 LB
032018008AK	HHCS 1/4-20X1 PLATED	4.000 EA
032018012DK	HHCS 1/2-13X1-1/2 PLTD.	4.000 EA
032018024CK	HHCS 3/8-16X3 PLTD.	3.000 EA
034180012DA	KEY 1X4X1/4X1-1/2 L	1.000 EA
032018012DK	HHCS 1/2-13X1-1/2 PLTD.	4.000 EA
032018024CK	HHCS 3/8-16X3 PLTD.	3.000 EA
034600001AA	BUSH 1/4TO1/8 BLACK	1.000 EA
034600001AA	BUSH 1/4TO1/8 BLACK	1.000 EA
034530052AB	P/NIP 1/8X6-1/2 GALV.	1.000 EA
034690001AB	1/8" NPT SQHDPLG	1.000 EA
035000001G	GREASE RELIEF FITTING, ALEMITE 317400	1.000 EA
035000001G	GREASE RELIEF FITTING, ALEMITE 317400	1.000 EA
415045002E	SLGR	1.000 EA
085922073B	BRKT 360 085922072WCC KB	1.000 EA
078559001A	+FANCV - 360	1.000 EA
085922073B	BRKT 360 085922072WCC KB	1.000 EA
410700004F	WSHR	1.000 EA

Parts List (continued)		
Part Number	Description	Quantity
415072001B	CLAMP	1.000 EA
415096002A	CPLG 1/8 HEX TYPE	1.000 EA
702675001C	FAN 360	1.000 EA
034690001AB	1/8" NPT SQHDPLG	1.000 EA
032018005AK	HHCS 1/4-20X5/8 PLATED	4.000 EA
032018008CK	HHCS 3/8-16X1L PLATED	4.000 EA
033512004LB	HHTTS 1/4-20X1/2 PLTD.	1.000 EA
035000001A	ALFTG 1/8" 1610-BL	1.000 EA
035000001A	ALFTG 1/8" 1610-BL	1.000 EA
043292000AJ	GASK 320-400	1.000 EA
077176000L	C/BOX, 360-400	1.000 EA
077176001A	CBOXC, PAINTED 360-400	1.000 EA
402731001A	GASK 360-440	1.000 EA
406099000A	PLUG - FAN COVER 320-440	1.000 EA
415000103D	T/LUG #4AWG-1/0AWG W/HOLE FOR .250 BOLT	1.000 EA
MG1025Y17	WILKOFAS, 789.701, SUPER E PEARL GOLD	0.250 GA
418150003A	GREASE FITTING CAP	1.000 EA
418150003A	GREASE FITTING CAP	1.000 EA
033775004EA	DRSCR #6-1/4 304 S.S.	2.000 EA
034180016GA	KEY 1/2X1/2X2 L	1.000 EA
14PA1000	PACKAGING 314 GROUP COMBINED PRINT	1.000 EA

S/O	FRAME	HP	TYPE	PHASE/ HERTZ	RPM	VOLTS
	365TS	75	P	3/60	3555	230/460
AMPS	DUTY	AMB °C/ INSUL	S.F.	NEMA DESIGN	CODE LETTER	ENCLOSURE
161/80.7	CONT	40/F	1.15	B	F	TEFC
E/S	ROTOR	TEST S.O.	TEST DATE	STATOR RES. @25 °C OHMS (BETWEEN LINES)		
892019	418141005TE	---	---	.0186/.0744		

PERFORMANCE

LOAD	HP	AMPERES	RPM	% POWER FACTOR	% EFFICIENCY
NO LOAD	0	15.5	3600	8.92	0
1/4	18.8	24.5	3589	77.9	91.9
2/4	37.5	40.9	3579	90.9	94.5
3/4	56.2	60.2	3567	92.2	94.8
4/4	75.0	81.1	3555	91.6	94.5
5/4	93.8	103	3542	90.9	93.9

SPEED TORQUE

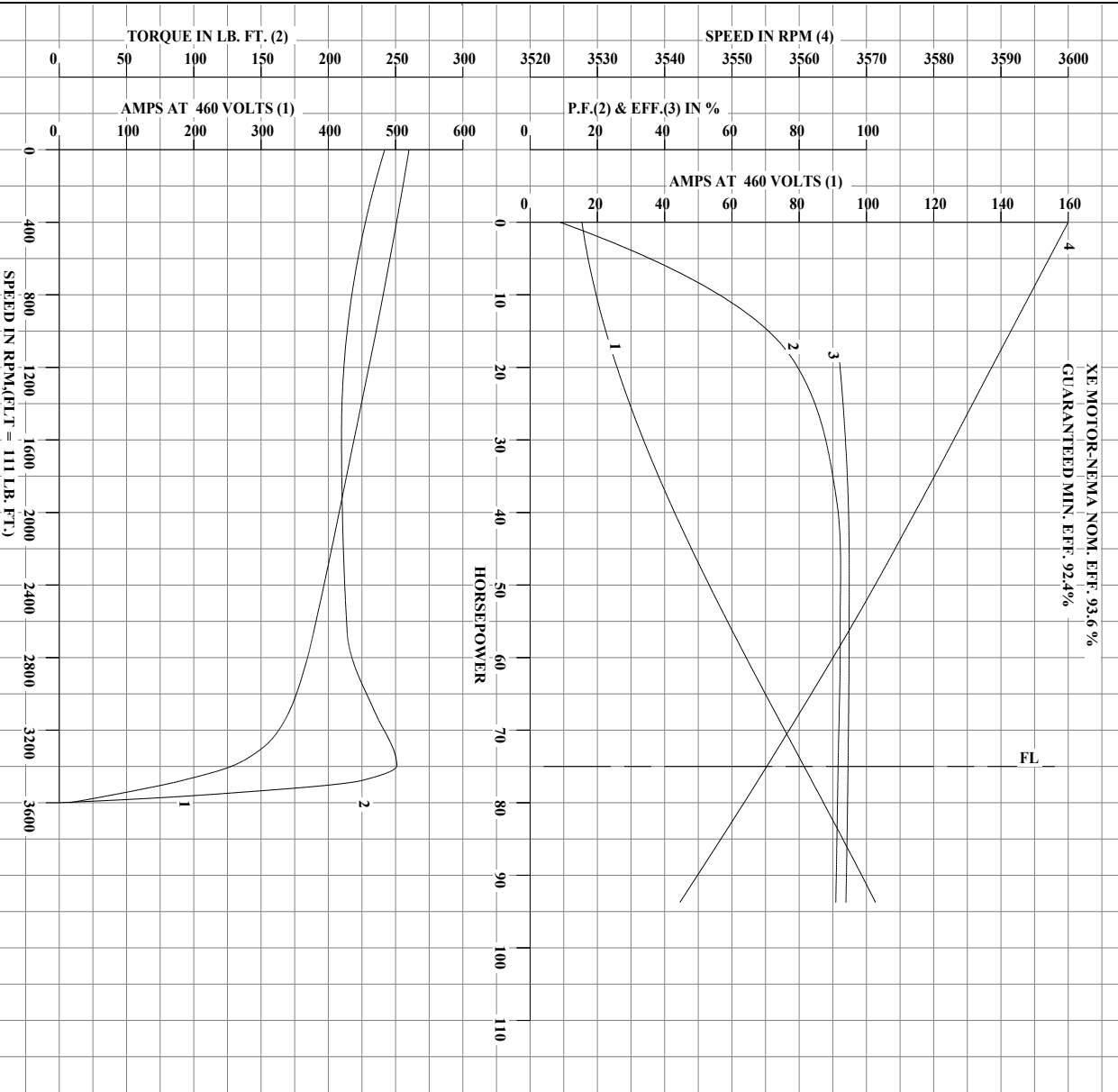
	RPM	TORQUE % FULL LOAD	TORQUE LB.-FT.	AMPERES
LOCKED ROTOR	0	218	242	520
PULL UP	1565	189	210	440
BREAKDOWN	3395	227	251	259
FULL LOAD	3555	100	111	81.1

AMPERES SHOWN FOR 460 VOLT CONNECTION. IF OTHER CONNECTIONS ARE AVAILABLE, THE AMPERES WILL VARY INVERSELY WITH THE RATED VOLTAGE.

TYPICAL DATA
 XE MOTOR-NEMA NOM. EFF. 93.6 %
 GUARANTEED MIN. EFF. 92.4%

 <p>BALDOR A MEMBER OF THE ABB GROUP</p>	DRAWN BY: L.HARRISON	AC MOTOR PERFORMANCE DATA	A36WG0107-R001 DATE ISSUED 12/14/10
	CHECKED BY: G.R.WEBB APPROVED BY: W.L.SMITH DATE: 10/16/02		

REL.S.O.	FRAME 365TS	RPM 3555	S.F. 1.15	ROTOR 418141005TE
HP 75	VOLTS 230/460	NEMA DESIGN B	TEST S.O. TYPICAL DATA	
TYPE P	AMPS 161/80.7	CODE LETTER F	TEST DATE --	
PHASE/HERTZ 3/60	DUTY CONT	ENCLOSURE TEFC	STATOR RES. @ 25°C .0186/0744	
	AMB °C/INSUL 40/F	E/S 892019	OHMS (BETWEEN LINES)	



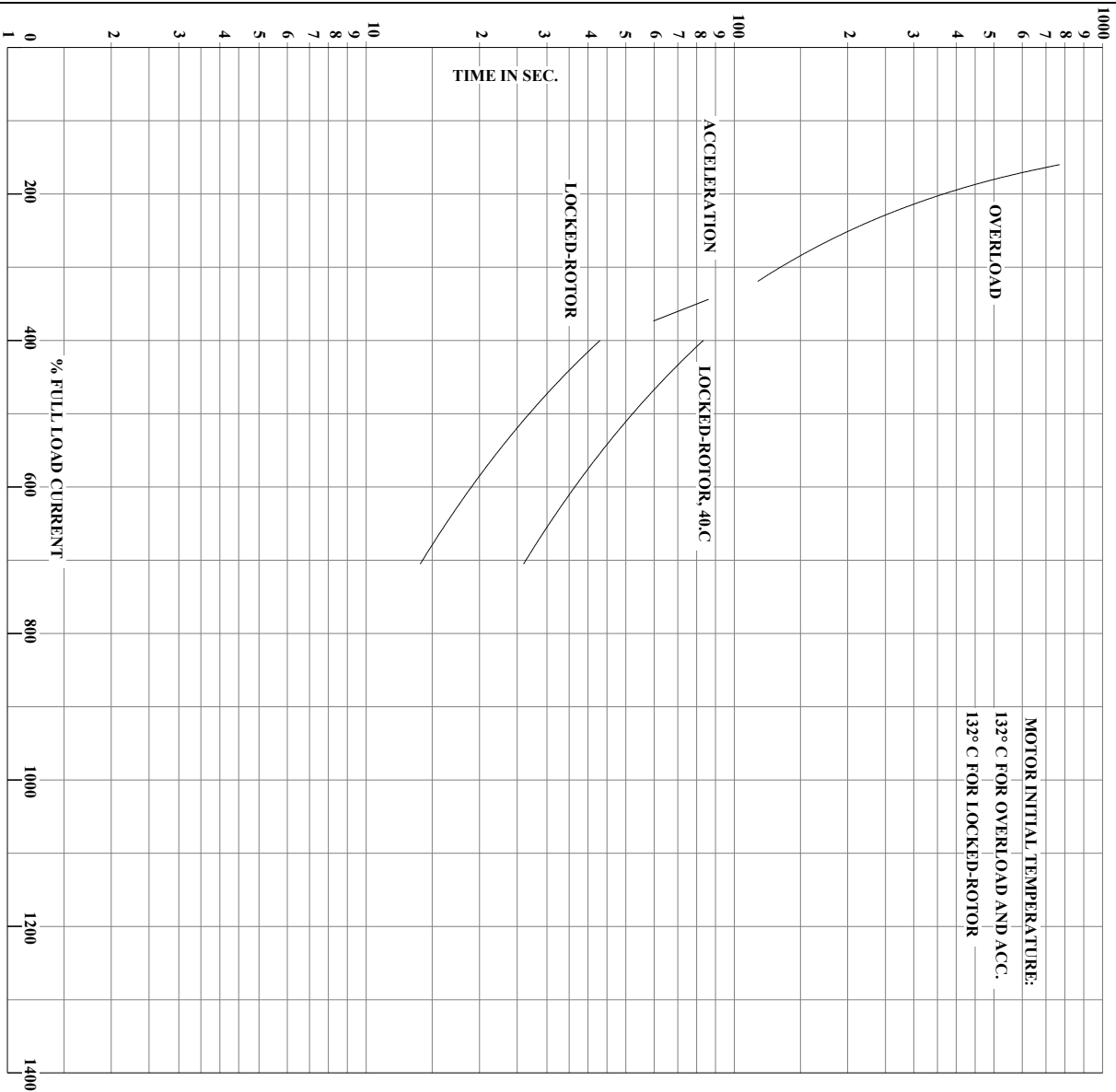
AMPERES SHOWN FOR 230/460 VOLT CONNECTION, IF OTHER VOLTAGE CONNECTIONS ARE AVAILABLE, THE AMPERES WILL VARY INVERSELY WITH THE RATED VOLTAGE.

<p>A MEMBER OF THE ABB GROUP</p>	DRAWN BY: J.HARRISON CHECKED BY: G.R.WEBB APPROVED BY: W.L.SMITH DATE: 10/16/02	AC MOTOR PERFORMANCE DATA	A36WG0107-R001 ISSUE DATE 12/14/10
---	--	---------------------------------	---------------------------------------

USCHIAM

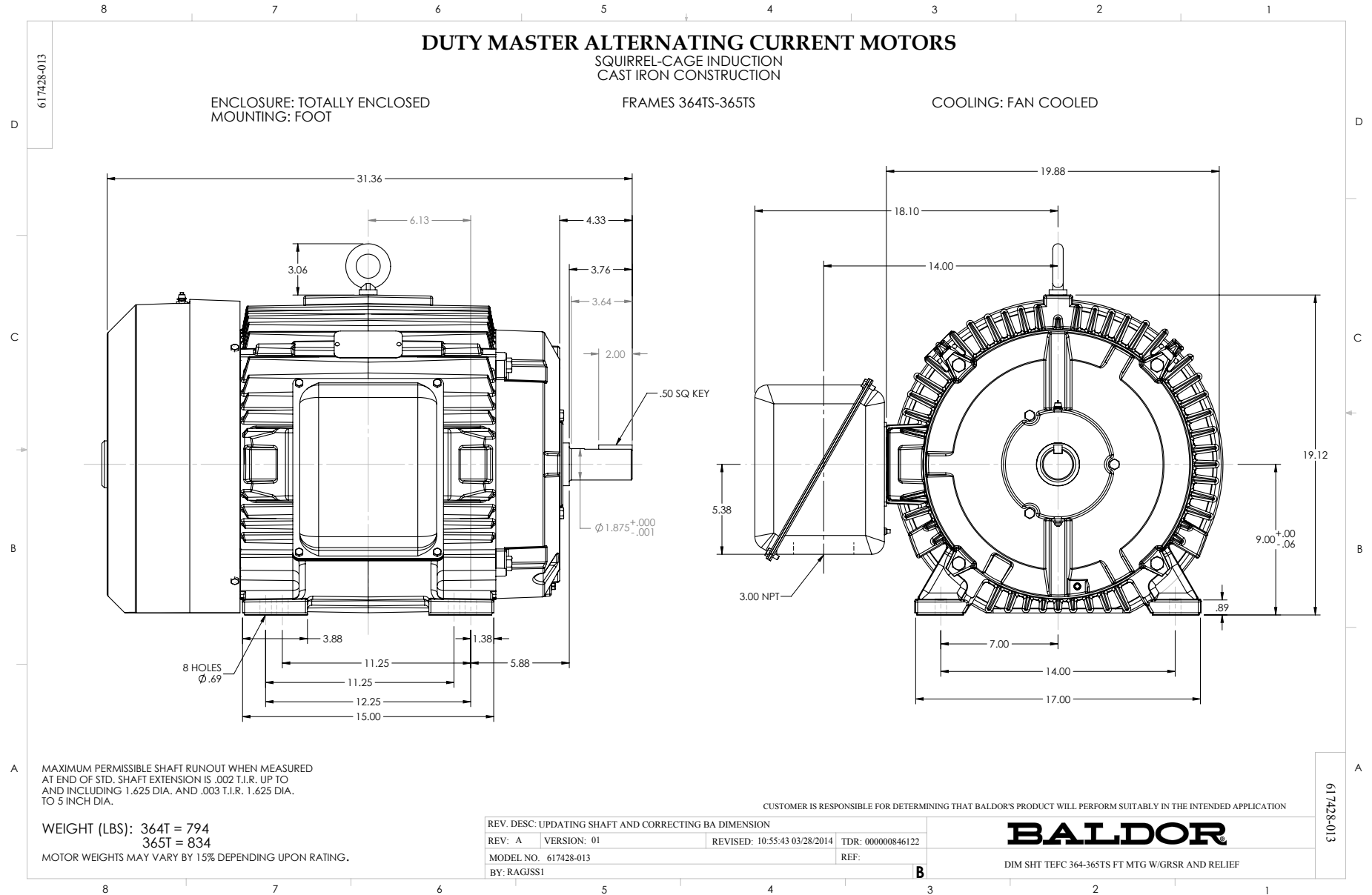
Printed on 11/14/2017 9:33 AM

REL.S.O.	FRAME 365TS	RPM 3555	S.F. 1.15	ROTOR 418141005TE
HP 75	VOLTS 230/460	AMPS 161/80.7	NEMA DESIGN B	TEST S.O. TYPICAL DATA
TYPE P	DUTY CONT	AMB °C/INSUL 40/F	CODE LETTER F	TEST DATE --
PHASE/HERTZ 3/60			ENCLOSURE TEFC	STATOR RES. @ 25°C .0186/0744
			E/S 892019	OHMS (BETWEEN LINES)



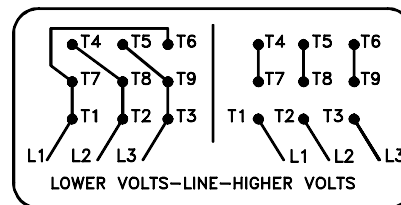
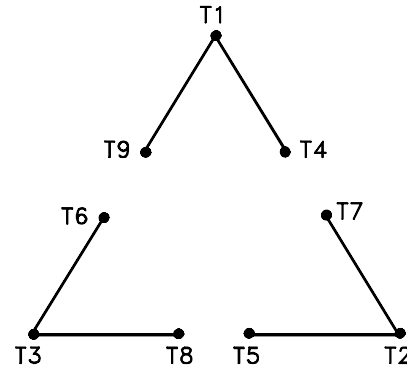
AMPERES SHOWN FOR 230/460 VOLT CONNECTION. IF OTHER VOLTAGE CONNECTIONS ARE AVAILABLE, THE AMPERES WILL VARY INVERSELY WITH THE RATED VOLTAGE.

<p>BALDOR A MEMBER OF THE ABB GROUP</p>	<p>DRAWN BY: J.HARRISON CHECKED BY: G.R.WEBB APPROVED BY: W.L.SMITH DATE: 10/16/02</p>	<p>AC MOTOR PERFORMANCE DATA</p>	<p>A36WG0107-R001 ISSUE DATE 12/14/10</p>
	<p>USCHIAM</p>		



416820-002

A-C MOTOR
 CONNECTION DIAGRAM
 STANDARD 9 LEAD DELTA-CONNECTED



(N.P. 1575-B)

416820-002

REV. DESC: LOADED TO BUS, C/R 335225		
REV. LTR: -	VERSION: 00	TDR: 000000538207
FILE: \MGA\00000\661	REVISED: 10: 47: 51 04/30/2010	
MTL: -	BY: RAGRA	

BALDOR

CONN DIAG - STANDARD 9 LEAD, DELTA-CONNECTED

SH 1 of 1

Marketing maintained PDF of MN408:

<http://www.baldor.com/support/Literature/Load.ashx/MN408?ManNumber=MN408>

Marketing maintained PDF of MN416:

<http://www.baldor.com/support/Literature/Load.ashx/MN416?ManNumber=MN416>