

**BALDOR® • RELIANCE** 

**Product Information Packet**

**EM4316T**

**75HP, 1780RPM, 3PH, 60HZ, 365T, A36068M, TEFC**

Part Detail							
Revision:	T	Status:	PRD/A	Change #:		Proprietary:	No
Type:	AC	Elec. Spec:	A36WG1816	CD Diagram:	416820-002	Mfg Plant:	
Mech. Spec:		Layout:	617428-032	Poles:	04	Created Date:	11-07-2011
Base:		Eff. Date:	10-12-2017	Leads:	3#4,6#6		

Specs			
Catalog Number:	EM4316T	Feedback Device:	NO FEEDBACK
Enclosure:	TEFC	Heater Indicator:	No Heater
Frame:	365T	Insulation Class:	F
Frame Material:	Iron	Inverter Code:	Inverter Ready
Output @ Frequency:	75.000 HP @ 60 HZ	KVA Code:	G
Synchronous Speed @ Frequency:	1800 RPM @ 60 HZ	Lifting Lugs:	No Lifting Lugs
Voltage @ Frequency:	230.0 V @ 60 HZ	Motor Lead Quantity/Wire Size:	3 @ 4 AWG
	460.0 V @ 60 HZ	Motor Type:	A36068M
XP Class and Group:	None	Mounting Arrangement:	F1
XP Division:	Not Applicable	Power Factor:	87
Agency Approvals:	CCSA US	Pulley End Bearing Type:	Ball
	CSA EEV	Pulley Face Code:	Standard
Auxillary Box:	No Auxillary Box	Shaft Ground Indicator:	No Shaft Grounding
Base Indicator:	Rigid	Shaft Rotation:	Reversible
Bearing Grease Type:	Polyrex EM (-20F +300F)	Shaft Slinger Indicator:	No Slinger
Current @ Voltage:	169.000 A @ 230.0 V	Speed Code:	Single Speed
	84.900 A @ 460.0 V	Motor Standards:	NEMA
Design Code:	B	Starting Method:	Direct on line

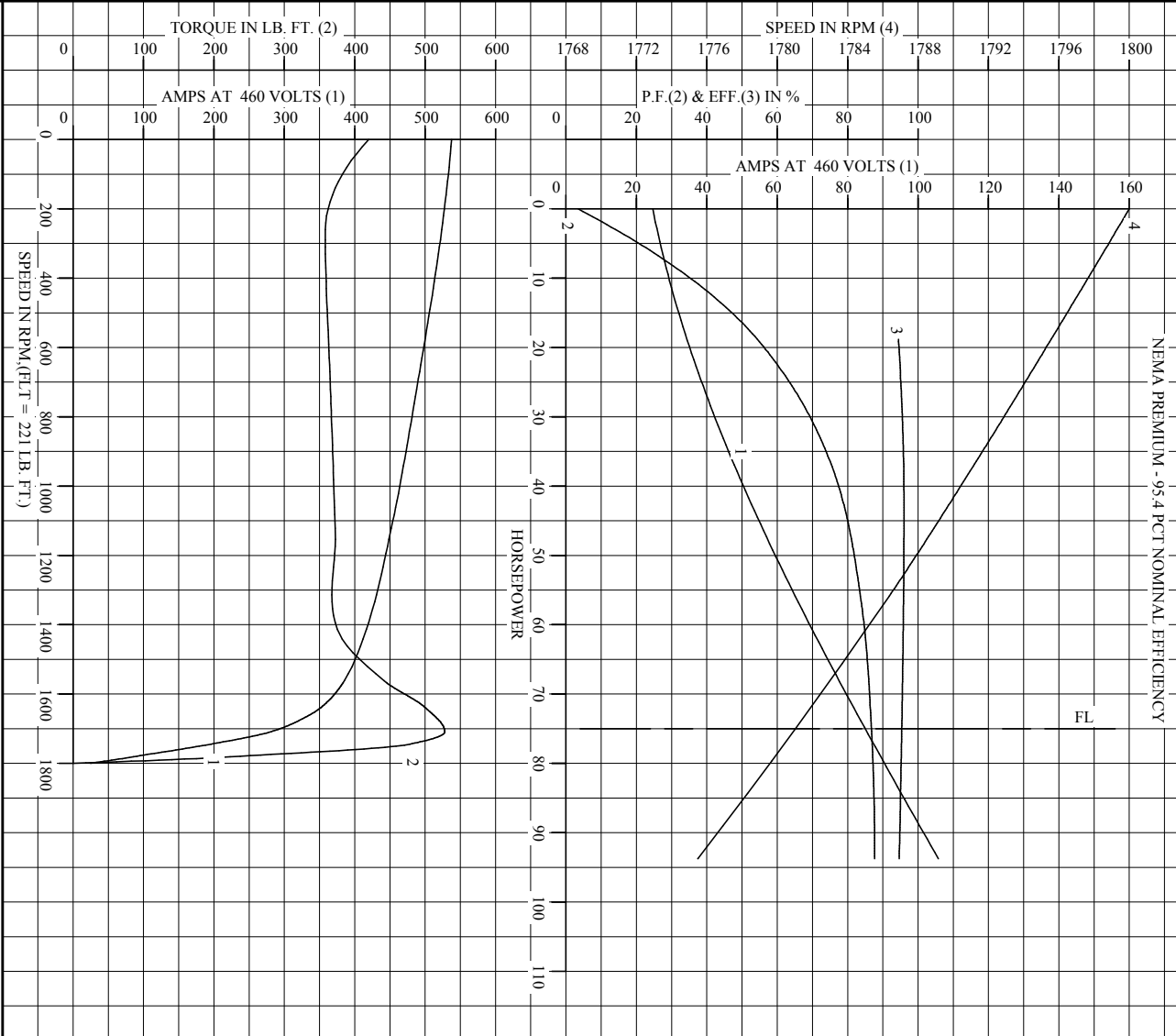
<b>Drip Cover:</b>	No Drip Cover	<b>Thermal Device - Bearing:</b>	None
<b>Duty Rating:</b>	CONT	<b>Thermal Device - Winding:</b>	None

Nameplate NP2383L										
CAT.NO.	EM4316T			SPEC NO.	A36-1115-1816					
HP	75	AMPS	169/84.9		VOLTS	230/460		DESIGN	B	
FRAME	365T	RPM	1780	HZ	60	AMB	40	SF	1.15	
DRIVE END BEARING	65BC03J30X			PHASE	3	DUTY	CONT		INSUL.CLASS	F
OPP D.E. BEARING	65BC03J30X			TYPE	P	ENCL	TEFC	CODE	G	
SER.NO.				POWER FACTOR	87		NEMA-NOM-EFFICIENCY	95.4		
NEMA NOM/CSA QUOTED EFF				MAX CORR KVAR	14.0		GUARANTEED EFFICIENCY	94.5		
	SUIT FOR 208V AT 186 AMPS				MOTOR WEIGHT					

Parts List		
Part Number	Description	Quantity
SA235982	SA A36-1115-1816	1.000 EA
RA222935	RA A36-1115-1816	1.000 EA
000613006PU	N/P (RELEASE QTY 10,000) UL CSA LABEL	1.000 EA
000692000VD	LABEL WARNING	1.000 EA
NP2383L	SUPER-E ,SS, CC, CSA-C US, CSA EEV	1.000 EA
421948032	LABEL, MYLAR	1.000 EA
004824015A	GREASE POLYREX EM	0.544 LB
032018008AK	HHCS 1/4-20X1 PLATED	4.000 EA
032018012DK	HHCS 1/2-13X1-1/2 PLTD.	4.000 EA
032018024CK	HHCS 3/8-16X3 PLTD.	3.000 EA
034180012DA	KEY 1X4X1/4X1-1/2 L	1.000 EA
034530052AB	P/NIP 1/8X6-1/2 GALV.	1.000 EA
034600001AA	BUSH 1/4TO1/8 BLACK	1.000 EA
034690001AB	1/8" NPT SQHDPLG	1.000 EA
035000001G	GREASE RELIEF FITTING, ALEMITE 317400	1.000 EA
035000001G	GREASE RELIEF FITTING, ALEMITE 317400	1.000 EA
085922073B	BRKT 360 085922072WCC KB	1.000 EA
085922073B	BRKT 360 085922072WCC KB	1.000 EA
078559001A	+FANCV - 360	1.000 EA
410700004F	WSHR	1.000 EA
415072001B	CLAMP	1.000 EA
415096002A	CPLG 1/8 HEX TYPE	1.000 EA
702676001C	FAN 360	1.000 EA
032018012DK	HHCS 1/2-13X1-1/2 PLTD.	4.000 EA

Parts List (continued)		
Part Number	Description	Quantity
032018024CK	HHCS 3/8-16X3 PLTD.	3.000 EA
034600001AA	BUSH 1/4TO1/8 BLACK	1.000 EA
034690001AB	1/8" NPT SQHDPLG	1.000 EA
032018005AK	HHCS 1/4-20X5/8 PLATED	4.000 EA
032018008CK	HHCS 3/8-16X1L PLATED	4.000 EA
033512004LB	HHTTS 1/4-20X1/2 PLTD.	1.000 EA
035000001A	ALFTG 1/8" 1610-BL	1.000 EA
035000001A	ALFTG 1/8" 1610-BL	1.000 EA
043292000AJ	GASK 320-400	1.000 EA
077176000L	C/BOX, 360-400	1.000 EA
077176001A	CBOXC, PAINTED 360-400	1.000 EA
402731001A	GASK 360-440	1.000 EA
406099000A	PLUG - FAN COVER 320-440	1.000 EA
415000103D	T/LUG #4AWG-1/0AWG W/HOLE FOR .250 BOLT	1.000 EA
418150003A	GREASE FITTING CAP	1.000 EA
MG1025Y17	WILKOFAS, 789.701, SUPER E PEARL GOLD	0.250 GA
418150003A	GREASE FITTING CAP	1.000 EA
033775004EA	DRSCR #6-1/4 304 S.S.	2.000 EA
034180034HA	KEY 5/8X5/8X4-1/4 L	1.000 EA
14PA1000	PACKAGING 314 GROUP COMBINED PRINT	1.000 EA
415045002E	SLGR	1.000 EA
415045002E	SLGR	1.000 EA

REL. S.O. \_\_\_\_\_ RPM 1780 S.F. 1.15 ROTOR 708559030EE  
 FRAME 365T VOLTS 230/460 NEMA DESIGN B TEST S.O. CALCULATED DATA  
 HP 75 AMPS 169/84.9 CODE LETTER G TEST DATE ---  
 TYPE P DUTY CONT ENCLOSURE FCXE STATOR RES. @ 25 °C .0215/.0860  
 PHASE/HERTZ 3/60 AMB °C/INSUL 40/F E/S 892348 OHMS (BETWEEN LINES)



AMPERES SHOWN FOR 460 VOLT CONNECTION, IF OTHER VOLTAGE CONNECTIONS ARE AVAILABLE, THE AMPERES WILL VARY INVERSELY WITH THE RATED VOLTAGE.

**BALDOR**  
 A MEMBER OF THE ABB GROUP  
 DR. BY W.L. SMITH  
 CK. BY J.J. HARRISON  
 App. BY W.L. SMITH  
 DATE 11/02/11  
**A-C MOTOR PERFORMANCE CURVES**  
 A36WG1816-R001  
 ISSUE DATE 11/02/11

Printed on 11/10/11 13:11 @ ragsum

REL. S.O.	FRAME	HP	TYPE	PHASE/HERTZ	RPM	VOLTS
	365T	75	P	3/60	1780	230/460
AMPS	DUTY	AMB °C/ INSUL.	S.F.	NEMA DESIGN	CODE LETTER	ENCL.
169/84.9	CONT	40/F	1.15	B	G	FCXE
E/S	ROTOR	TEST S.O.	TEST DATE	STATOR RES. @25 °C (OHMS (BETWEEN LINES))		
892348	708559030EE	---	---	.0215/.0860		

PERFORMANCE


LOAD	HP	AMPERES	RPM	POWER FACTOR %	EFFICIENCY %
NO LOAD	0	24.7	1800	3.42	0
1/4	18.8	34.3	1796	54.3	94.4
2/4	37.5	48.3	1791	75.8	95.9
3/4	56.2	65.6	1786	83.7	95.9
4/4	75.0	84.9	1781	86.8	95.4
5/4	93.8	106	1775	87.6	94.6

SPEED TORQUE

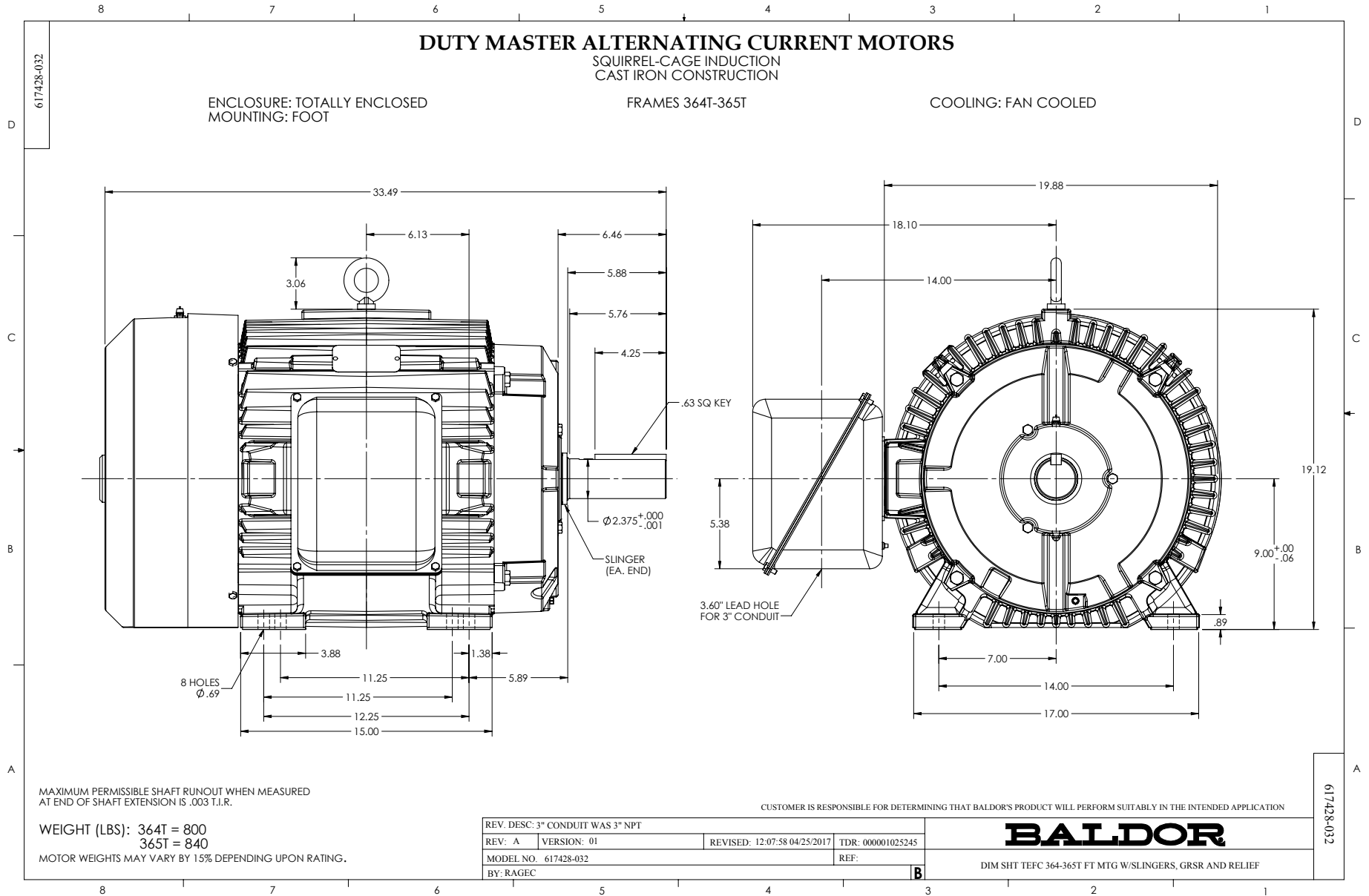
	RPM	TORQUE % FULL LOAD	TORQUE LB.-FT.	AMPERES
LOCKED ROTOR	0	190	420	538
PULL UP	270	162	358	523
BREAKDOWN	1709	239	528	280
FULL LOAD	1781	100	221	84.9

AMPERES SHOWN FOR 460. VOLT CONNECTION. IF OTHER VOLTAGE CONNECTIONS ARE AVAILABLE, THE AMPERES WILL VARY INVERSELY WITH THE RATED VOLTAGE

REMARKS: CALCULATED DATA  
NEMA PREMIUM - 95.4 PCT NOMINAL EFFICIENCY

	DR. BY	W. L. SMITH	<b>A-C MOTOR</b> <b>PERFORMANCE DATA</b> A36WG1816-R001 ISSUE DATE 11/02/11
	CK. BY	J. J. HARRISON	
A MEMBER OF THE ABB GROUP		APP. BY W. L. SMITH DATE 11/02/11	







Marketing maintained PDF of MN408:

<http://www.baldor.com/support/Literature/Load.ashx/MN408?ManNumber=MN408>

Marketing maintained PDF of MN416:

<http://www.baldor.com/support/Literature/Load.ashx/MN416?ManNumber=MN416>