

BALDOR® • RELIANCE 

Product Information Packet

EM4338T

30HP,890RPM,3PH,60HZ,364T,TEFC,F1

Part Detail							
Revision:	G	Status:	PRD/A	Change #:		Proprietary:	No
Type:	AC	Elec. Spec:	A36WG0431	CD Diagram:	416820-002	Mfg Plant:	
Mech. Spec:		Layout:	611740-001-SH1	Poles:	08	Created Date:	01-13-2015
Base:		Eff. Date:	09-28-2017	Leads:	3#6,6#8		

Specs			
Catalog Number:	EM4338T	Heater Indicator:	No Heater
Enclosure:	TEFC	Insulation Class:	F
Frame:	364T	Inverter Code:	Inverter Ready
Frame Material:	Iron	IP Rating:	NONE
Output @ Frequency:	30.000 HP @ 60 HZ	KVA Code:	G
Synchronous Speed @ Frequency:	900 RPM @ 60 HZ	Lifting Lugs:	Standard Lifting Lugs
Voltage @ Frequency:	230.0 V @ 60 HZ	Motor Lead Quantity/Wire Size:	3 @ 6 AWG
	460.0 V @ 60 HZ	Motor Type:	A36050M
XP Class and Group:	None	Mounting Arrangement:	F1
XP Division:	Not Applicable	Power Factor:	77
Agency Approvals:	CCSA US	Product Family:	General Industrial
	CSA EEV	Pulley End Bearing Type:	Ball
Auxillary Box:	No Auxillary Box	Pulley Face Code:	Standard
Base Indicator:	Rigid	Shaft Ground Indicator:	No Shaft Grounding
Bearing Grease Type:	Polyrex EM (-20F +300F)	Shaft Rotation:	Reversible
Current @ Voltage:	39.300 A @ 460.0 V	Shaft Slinger Indicator:	Shaft Slinger
	78.600 A @ 230.0 V	Speed Code:	Single Speed
Design Code:	B	Motor Standards:	NEMA

Drip Cover:	No Drip Cover	Starting Method:	Direct on line
Duty Rating:	CONT	Thermal Device - Bearing:	None
Feedback Device:	NO FEEDBACK	Thermal Device - Winding:	None

Nameplate NP2496L

MOBIL POLYREX EM

Nameplate NP2383L										
CAT.NO.	EM4338T			SPEC NO.	A36-6049-0999					
HP	30	AMPS	78.6/39.3		VOLTS	230/460		DESIGN	B	
FRAME	364T	RPM	890	HZ	60	AMB	40	SF	1.15	
DRIVE END BEARING	65BC03J30X			PHASE	3	DUTY	CONT		INSUL.CLASS	F
OPP D.E. BEARING	65BC03J30X			TYPE	P	ENCL	TEFC	CODE	G	
SER.NO.				POWER FACTOR	77		NEMA-NOM-EFFICIENCY	92.4		
NEMA NOM/CSA QUOTED EFF				MAX CORR KVAR	10		GUARANTEED EFFICIENCY	91		
				MOTOR WEIGHT						

Parts List		
Part Number	Description	Quantity
SA292076	SA A36-6049-0999	1.000 EA
RA278195	RA A36-6049-0999	1.000 EA
421948032	LABEL, MYLAR	1.000 EA
NP2496L	MOTOR LUBE NAMEPLATE	1.000 EA
000613006PU	N/P (RELEASE QTY 10,000) UL CSA LABEL	1.000 EA
000692000VD	LABEL WARNING	1.000 EA
NP2383L	SUPER-E ,SS, CC, CSA-C US, CSA EEV	1.000 EA
085922073B	BRKT 360 085922072WCC KB	1.000 EA
415072001B	CLAMP	1.000 EA
078559001A	+FANCV - 360	1.000 EA
034180012DA	KEY 1X4X1/4X1-1/2 L	1.000 EA
412118006A	DRAIN	1.000 EA
078557001F	FAN KB 110/50 (60) 360	1.000 EA
004824015A	GREASE POLYREX EM	0.540 LB
032018012DK	HHCS 1/2-13X1-1/2 PLTD.	4.000 EA
032018008AK	HHCS 1/4-20X1 PLATED	4.000 EA
032018024CK	HHCS 3/8-16X3 PLTD.	3.000 EA
415096002A	CPLG 1/8 HEX TYPE	1.000 EA
410700004F	WSHR	1.000 EA
035000001G	GREASE RELIEF FITTING, ALEMITE 317400	1.000 EA
034530052AB	P/NIP 1/8X6-1/2 GALV.	1.000 EA
034600001AA	BUSH 1/4TO1/8 BLACK	1.000 EA
034600001AA	BUSH 1/4TO1/8 BLACK	1.000 EA
085922073B	BRKT 360 085922072WCC KB	1.000 EA

Parts List (continued)		
Part Number	Description	Quantity
032018012DK	HHCS 1/2-13X1-1/2 PLTD.	4.000 EA
032018024CK	HHCS 3/8-16X3 PLTD.	3.000 EA
415045002E	SLGR	1.000 EA
412118006A	DRAIN	1.000 EA
035000001G	GREASE RELIEF FITTING, ALEMITE 317400	1.000 EA
077176000L	C/BOX, 360-400	1.000 EA
077176001A	CBOXC, PAINTED 360-400	1.000 EA
043292000AJ	GASK 320-400	1.000 EA
402731001A	GASK 360-440	1.000 EA
418150003A	GREASE FITTING CAP	1.000 EA
032018005AK	HHCS 1/4-20X5/8 PLATED	4.000 EA
032018008CK	HHCS 3/8-16X1L PLATED	4.000 EA
035000001A	ALFTG 1/8" 1610-BL	1.000 EA
415000103D	T/LUG #4AWG-1/0AWG W/HOLE FOR .250 BOLT	1.000 EA
406099000A	PLUG - FAN COVER 320-440	1.000 EA
033512004LB	HHTTS 1/4-20X1/2 PLTD.	1.000 EA
035000001A	ALFTG 1/8" 1610-BL	1.000 EA
418150003A	GREASE FITTING CAP	1.000 EA
033775004EA	DRSCR #6-1/4 304 S.S.	2.000 EA
034180034HA	KEY 5/8X5/8X4-1/4 L	1.000 EA
HW1000A32	5/16 FL WASHER WIDE, ID=.344, OD=1.125	3.000 EA
032509020C	CARRIAGE BOLT - 360	3.000 EA
MG1025Y17	WILKOFAS, 789.701, SUPER E PEARL GOLD	0.375 GA
14PA1000	PACKAGING 314 GROUP COMBINED PRINT	1.000 EA

S/O	FRAME	HP	TYPE	PHASE/ HERTZ	RPM	VOLTS
	364T	30	P	3/60	890	230/460
AMPS	DUTY	AMB °C/ INSUL	S.F.	NEMA DESIGN	CODE LETTER	ENCLOSURE
78.6/39.3	CONT	40/B	1.15	B	G	TEFC
E/S	ROTOR	TEST S.O.	TEST DATE	STATOR RES. @25 °C OHMS (BETWEEN LINES)		
591745	418141-73-AE	---	---	.0676/270		

PERFORMANCE

LOAD	HP	AMPERES	RPM	% POWER FACTOR	% EFFICIENCY
NO LOAD	0	19.7	900	4.34	0
1/4	7.52	21.5	897	37.2	88.3
2/4	15.0	25.8	894	59.1	92.3
3/4	22.5	32.0	891	70.7	92.9
4/4	30.0	39.3	888	77.0	92.7
5/4	37.5	47.8	884	80.0	91.9

SPEED TORQUE

	RPM	% TORQUE FULL LOAD	TORQUE LB.-FT.	AMPERES
LOCKED ROTOR	0	138	244	210
PULL UP	213	130	231	198
BREAKDOWN	841	229	406	119
FULL LOAD	888	100	177	39.3

AMPERES SHOWN FOR 460 VOLT CONNECTION. IF OTHER CONNECTIONS ARE AVAILABLE, THE AMPERES WILL VARY INVERSELY WITH THE RATED VOLTAGE.

XE MOTOR-TYPICAL DATA-NEMA NOM. EFF. 93.0 PCT.
GUARANTEED MIN. EFF. 92.4 PCT.

	DRAWN BY: P.B. GREENE	AC MOTOR PERFORMANCE DATA	A36WG0431-R001 DATE ISSUED 08/28/18
	CHECKED BY: K.W. KANOUFE APPROVED BY: E.J. CHRISTIAN DATE: 06/04/93		

USERCHR1

Printed on 08/28/2018 7:15 AM

REL.S.O.	364T	RPM 890	S.F. 1.15	ROTOR 418141-73-AE
FRAME	30	VOLTS 230/460	NEMA DESIGN B	TEST S.O. ---
HP	30	AMPS 78.6/39.3	CODE LETTER G	TEST DATE ---
TYPE	P	DUTY CONT	ENCLOSURE TEFC	STATOR RES. @ 25°C .0676/270
PHASE/HERTZ	3/60	AMB °C/INSUL 40/B	E/S 591745	OHMS (BETWEEN LINES)

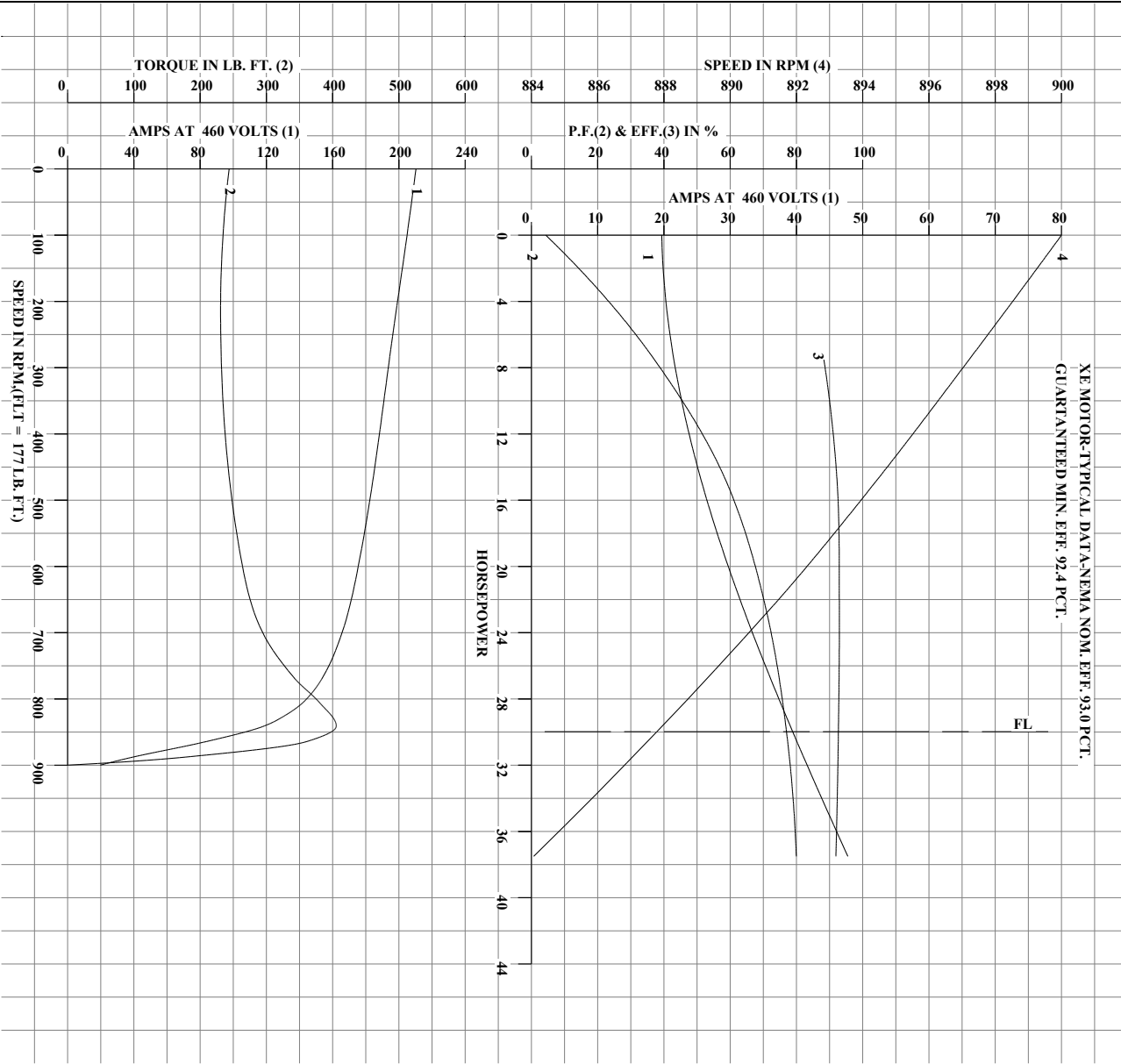


ABB	DRAWN BY: P.B. GREENE	AC MOTOR PERFORMANCE DATA	A36WG0431-R001
	CHECKED BY: K.W. KANOLUF APPROVED BY: E.J. CHRISTIAN DATE: 06/04/93		

USERCHR1
Printed on 08/28/2018 7:15 AM

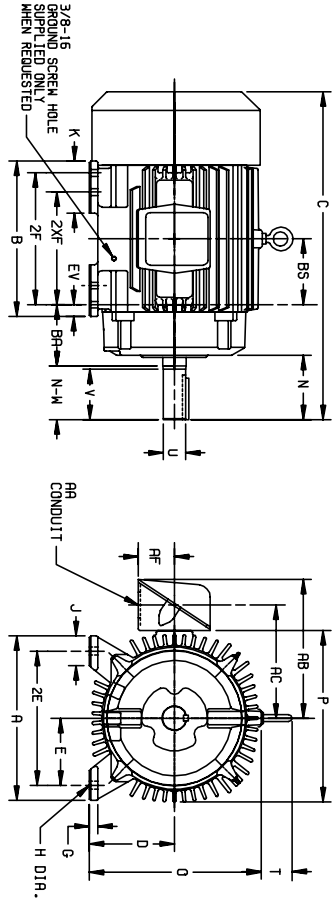
611740-001-SH1

DUTY MASTER ALTERNATING CURRENT MOTORS
SQUIREL-CAGE INDUCTION

ENCLOSURE: TOTALLY ENCLOSED
MOUNTING: FOOT

COOLING: FAN COOLED

FRAMES 250T THRU 440T



DIMENSIONS ARE IN INCHES; SEE SHEET 2 FOR DIMENSIONS IN MILLIMETERS

FRAME	A	D(2)	E	G	H	J	K	O	P	T	STEEL TERMINAL BOX				WEIGHT	
SIZE	C	BS	B	2F	N	N-W(6)	U(3)	V	SQ.	LGTH.	BS.	(3)	AF	BA	EV	
254T-256T	12.50	6.25	5.00	7.5	1.56	2.50	---	1.325	1.325	2.44	1-1/4	10.25	8.75	2.50	4.25	1.00
264T-266T	13.75	7.00	5.60	10.00	---	4.12	4.00	1.625	3.75	2.88	3.12	11.00	9.50	3.00	4.75	1.00
284T	17.00	8.00	6.25	13.00	---	4.50	4.00	1.875	4.50	3.25	3.50	12.25	10.00	3.19	5.25	1.38
324T-326T	18.50	8.00	6.25	13.00	---	3.50	3.00	1.875	4.50	3.75	4.00	13.19	11.44	4.25	5.25	1.38
364T-366T	17.00	9.00	7.00	11.00	---	3.50	3.00	1.875	4.50	3.75	4.00	13.19	11.44	4.25	5.25	1.38
404T-406T	19.00	10.00	8.00	11.2	81	3.25	4.62	21.31	22.50	2.94	3	18.06	14.00	5.38	5.88	1.38
444T-446T	21.00	11.00	9.00	11.2	81	3.25	5.25	23.38	25.25	3.25	3	23.38	18.12	6.50	7.50	1.25

FRAME	C	BS	B	2F	(4)	N	N-W(6)	U(3)	V	SQ.	LGTH.	BS.	(3)	WEIGHT
SIZE	C	BS	B	2F	N	N-W(6)	U(3)	V	SQ.	LGTH.	BS.	(3)	WEIGHT	
254T	24.56	5.00	12.00	---	8.25	4.12	4.00	1.625	3.75	2.88	3.05	11.00	9.50	3.00
264T	27.46	5.00	12.00	10.00	---	4.12	4.00	1.625	3.75	2.88	3.12	11.00	9.50	3.00
284T	27.44	5.50	13.00	---	9.50	5.00	4.62	1.875	4.50	3.25	3.50	12.25	10.00	3.19
324T	26.06	5.50	13.00	---	3.50	3.00	1.875	4.50	3.75	4.00	13.19	11.44	4.25	5.25
364T	27.44	5.50	13.00	11.00	---	3.50	3.00	1.875	4.50	3.75	4.00	13.19	11.44	4.25
404T	28.06	6.00	14.75	---	10.50	3.62	3.25	1.875	3.00	3.00	3.00	13.19	11.44	4.25
444T	28.94	6.00	14.75	12.00	---	3.62	3.25	1.875	3.50	3.00	3.00	13.19	11.44	4.25
326T	28.94	6.00	14.75	12.00	---	4.12	3.75	1.875	3.50	3.00	3.00	13.19	11.44	4.25
366T	30.44	6.00	15.00	---	11.25	4.12	3.75	1.875	3.50	3.00	3.00	13.19	11.44	4.25
406T	33.44	6.12	15.00	---	6.25	5.88	2.375	5.62	6.25	4.25	8.40	14.00	5.38	5.88
446T	31.31	6.12	15.00	12.25	---	4.12	3.75	1.875	3.50	3.00	3.00	13.19	11.44	4.25
368T	31.31	6.12	15.00	12.25	---	4.12	3.75	1.875	3.50	3.00	3.00	13.19	11.44	4.25
408T	38.31	6.88	16.00	---	12.25	7.50	2.875	7.00	7.50	5.62	11.20	14.00	5.38	5.88
448T	38.31	6.88	16.00	---	12.25	7.50	2.875	7.00	7.50	5.62	11.20	14.00	5.38	5.88
408T	38.31	6.88	16.00	13.75	---	7.50	2.875	7.00	7.50	5.62	11.20	14.00	5.38	5.88
448T	38.31	6.88	16.00	13.75	---	7.50	2.875	7.00	7.50	5.62	11.20	14.00	5.38	5.88
408T	38.31	6.88	16.00	13.75	---	7.50	2.875	7.00	7.50	5.62	11.20	14.00	5.38	5.88
448T	44.62	8.25	19.00	---	14.50	8.94	8.50	3.375	8.25	8.75	15.24	16.50	8.94	8.88
448T	44.62	8.25	19.00	---	14.50	8.94	8.50	3.375	8.25	8.75	15.24	16.50	8.94	8.88
448T	44.62	8.25	19.00	16.50	---	8.94	8.50	3.375	8.25	8.75	15.24	16.50	8.94	8.88
448T	40.88	8.25	19.00	16.50	---	5.19	4.75	2.375	4.50	6.25	3.00	17.14	17.14	17.14

- (1) SPECIAL DIMENSIONS APPLYING TO THIS ORDER ON THIS LINE.
- (2) "P" VARIES $\begin{cases} \text{---} & \text{---250T --- 320T + .00, ---.03} \\ \text{---} & \text{---360T --- 440T + .00, ---.06} \end{cases}$
- (3) "U" VARIES $\begin{cases} \text{---} & \text{---UP TO 1.625 DIA. + .0000, ---.0005} \\ \text{---} & \text{---UP TO 1.625 AND LARGER + .000, ---.001.} \end{cases}$
- (4) ALL FRAMES HAVE EIGHT MOUNTING HOLES FOR DUAL MOUNTING.
- (5) MOTOR WEIGHTS MAY VARY BY 15% DEPENDING UPON RATING.
- (6) "N-W" VARIES + .00, - .25.

FRAME _____ TYPE _____ CERTIFIED FOR _____ RPM _____ PH _____ HZ _____ VOLTS _____
 ORDER _____ ITEM _____ HP _____ APPROVED BY _____ DATE _____
 RELIANCE SALES ORDER _____

CUSTOMER IS RESPONSIBLE FOR DETERMINING THAT BALDOR'S PRODUCT WILL PERFORM SUITABLY IN THE INTENDED APPLICATION.

REV. DESC: UPDATE TITLE SHEET 2	VERSION: 02	TDR: 000000498266
REV. LTR: B		REVISED: 07:05:46 04/29/2009
FILE: \RAG\00000\167		BY: RAGEC
MTL: -		

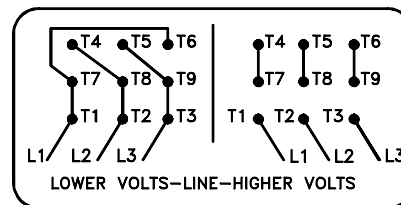
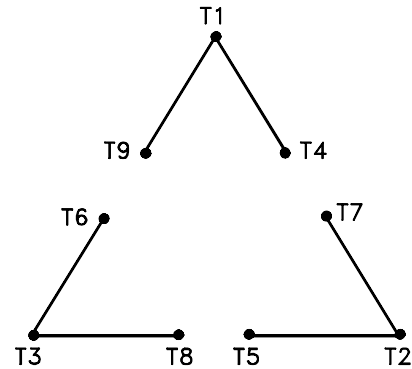
Baldor • Dodge • Reliance

DIM SHEET 250T THRU 440T
SH 1 of 1

611740-001-SH1

416820-002

A-C MOTOR
 CONNECTION DIAGRAM
 STANDARD 9 LEAD DELTA-CONNECTED



(N.P. 1575-B)

416820-002

REV. DESC: LOADED TO BUS, C/R 335225		
REV. LTR: -	VERSION: 00	TDR: 000000538207
FILE: \MGA\00000\661	REVISED: 10:47:51 04/30/2010	
MTL: -	BY: RAGRA	

BALDOR

CONN DIAG - STANDARD 9 LEAD, DELTA-CONNECTED

SH 1 of 1

Marketing maintained PDF of MN408:

<http://www.baldor.com/support/Literature/Load.ashx/MN408?ManNumber=MN408>

Marketing maintained PDF of MN416:

<http://www.baldor.com/support/Literature/Load.ashx/MN416?ManNumber=MN416>