

**BALDOR® • RELIANCE** 

**Product Information Packet**

**EM4400TS**

**100HP, 1785RPM, 3PH, 60HZ, 405TS, A40064M, TEF**

Part Detail							
Revision:	G	Status:	PRD/A	Change #:		Proprietary:	No
Type:	AC	Elec. Spec:	A40WG0692	CD Diagram:	416820-002	Mfg Plant:	
Mech. Spec:		Layout:	617429-002	Poles:	04	Created Date:	07-17-2013
Base:		Eff. Date:	04-06-2018	Leads:	3#2,6#4		

Specs			
Catalog Number:	EM4400TS	Feedback Device:	NO FEEDBACK
Enclosure:	TEFC	Heater Indicator:	No Heater
Frame:	405TS	Insulation Class:	F
Frame Material:	Iron	Inverter Code:	Inverter Ready
Output @ Frequency:	100.000 HP @ 60 HZ	KVA Code:	G
Synchronous Speed @ Frequency:	1800 RPM @ 60 HZ	Lifting Lugs:	Standard Lifting Lugs
Voltage @ Frequency:	230.0 V @ 60 HZ	Motor Lead Quantity/Wire Size:	3 @ 2 AWG
	460.0 V @ 60 HZ	Motor Type:	A40064M
XP Class and Group:	None	Mounting Arrangement:	F1
XP Division:	Not Applicable	Power Factor:	87
Agency Approvals:	CCSA US	Product Family:	General Industrial
	CSA EEV	Pulley End Bearing Type:	Ball
Auxillary Box:	No Auxillary Box	Pulley Face Code:	Standard
Base Indicator:	Rigid	Shaft Ground Indicator:	No Shaft Grounding
Bearing Grease Type:	No Grease	Shaft Rotation:	Reversible
Current @ Voltage:	112.000 A @ 460.0 V	Shaft Slinger Indicator:	No Slinger
	224.000 A @ 230.0 V	Speed Code:	Single Speed
Design Code:	B	Motor Standards:	NEMA

<b>Drip Cover:</b>	No Drip Cover	<b>Starting Method:</b>	Direct on line
<b>Duty Rating:</b>	CONT	<b>Thermal Device - Bearing:</b>	None
		<b>Thermal Device - Winding:</b>	None

## Nameplate NP2383L

CAT.NO.	EM4400TS	SPEC NO.	P40G3928						
HP	100	AMPS	224/112	VOLTS	230/460	DESIGN	B		
FRAME	405TS	RPM	1785	HZ	60	AMB	40	SF	1.15
DRIVE END BEARING	80BC03J30X	PHASE	3	DUTY	CONT	INSUL.CLASS	F		
OPP D.E. BEARING	80BC03J30X	TYPE	P	ENCL	TEFC	CODE	G		
SER.NO.		POWER FACTOR	87	NEMA-NOM-EFFICIENCY	95.4				
NEMA NOM/CSA QUOTED EFF		MAX CORR KVAR	18	GUARANTEED EFFICIENCY	94.5				
		MOTOR WEIGHT							

Parts List		
Part Number	Description	Quantity
SA267717	SA P40G3928	1.000 EA
RA254387	RA P40G3928	1.000 EA
421948032	LABEL, MYLAR	1.000 EA
000692000FF	N/P	1.000 EA
000613006PU	N/P (RELEASE QTY 10,000) UL CSA LABEL	1.000 EA
000692000VD	LABEL WARNING	1.000 EA
NP2383L	SUPER-E ,SS, CC, CSA-C US, CSA EEV	1.000 EA
089412501A	BRKT FTMT G400 FIN MACH 6316 89412500WCA	1.000 EA
415072001B	CLAMP	1.000 EA
083198127A	G400 MOLDED FAN COVER	1.000 EA
034692005AA	P PLUG 3/4"BLK.	1.000 EA
034180012DA	KEY 1X4X1/4X1-1/2 L	1.000 EA
078548001R	FAN KB 234/150 (84) 400	1.000 EA
004824015A	GREASE POLYREX EM	0.880 LB
032018020EK	HHCS 5/8-11X2-1/2 PLTD.	4.000 EA
032018008CK	HHCS 3/8-16X1L PLATED	4.000 EA
032018008CK	HHCS 3/8-16X1L PLATED	4.000 EA
032018024CK	HHCS 3/8-16X3 PLTD.	3.000 EA
415096002A	CPLG 1/8 HEX TYPE	1.000 EA
410700000DA	WAVY SPRING WASHER	1.000 EA
034000014AB	WSH ID.406 OD.812 TH.065	4.000 EA
034530052AB	P/NIP 1/8X6-1/2 GALV.	1.000 EA
034530056BB	P/NIP 1/4X7 SCHED 40	1.000 EA
034690001AB	1/8" NPT SQHDPLG	1.000 EA

Parts List (continued)		
Part Number	Description	Quantity
034690001AB	1/8" NPT SQHDPLG	1.000 EA
034631002AB	BUSH 1/4 TO 1/8 PLTD.	1.000 EA
034690001AB	1/8" NPT SQHDPLG	1.000 EA
034690002AB	PPLG 1/4" PLTD.	1.000 EA
089412501A	BRKT FTMT G400 FIN MACH 6316 89412500WCA	1.000 EA
032018020EK	HHCS 5/8-11X2-1/2 PLTD.	4.000 EA
032018024CK	HHCS 3/8-16X3 PLTD.	3.000 EA
077176000L	C/BOX, 360-400	1.000 EA
077176001A	CBOXC, PAINTED 360-400	1.000 EA
043292000AJ	GASK 320-400	1.000 EA
402731001A	GASK 360-440	1.000 EA
418150003A	GREASE FITTING CAP	1.000 EA
MG1025Y17	WILKOFAS, 789.701, SUPER E PEARL GOLD	0.375 GA
032018005AK	HHCS 1/4-20X5/8 PLATED	4.000 EA
035000001A	ALFTG 1/8" 1610-BL	1.000 EA
415000103D	T/LUG #4AWG-1/0AWG W/HOLE FOR .250 BOLT	1.000 EA
406099000A	PLUG - FAN COVER 320-440	1.000 EA
033512004LB	HHTTS 1/4-20X1/2 PLTD.	1.000 EA
035000001A	ALFTG 1/8" 1610-BL	1.000 EA
418150003A	GREASE FITTING CAP	1.000 EA
033775004EA	DRSCR #6-1/4 304 S.S.	2.000 EA
034180022GA	KEY 1/2X1/2X2-3/4 L	1.000 EA
PK5004A02	WOOD BASE 40X32 STACK 2X4 RUNNER	1.000 EA

<b>Accessories</b>		
<b>Part Number</b>	<b>Description</b>	<b>Multiplier</b>
K40G71	C-FACE KIT G400 4/6/8 POLES	A8
089412054B	D-FLANGE BRKT 400 089416055WCB	P1

REL. S.O.	FRAME	HP	TYPE	PHASE/HERTZ	RPM	VOLTS
	405T	100	P	3/60	1785	230/460
AMPS	DUTY	AMB °C/ INSUL.	S.F.	NEMA DESIGN	CODE LETTER	ENCL.
224/112	CONT	40/F	1.15	B	G	TEFC
E/S	ROTOR	TEST S.O.	TEST DATE	STATOR RES. @25 °C (OHMS BETWEEN LINES)		
596956	418142-33-RE	---	---	.0123/.0492		

PERFORMANCE

LOAD	HP	AMPERES	RPM	POWER FACTOR %	EFFICIENCY %
NO LOAD	0	28.6	1800	5.49	0
1/4	25.0	39.2	1796	64.3	93.0
2/4	50.0	59.5	1792	82.5	95.4
3/4	75.0	84.6	1788	86.7	95.7
4/4	100	112	1783	87.4	95.4
5/4	125	141	1778	87.3	94.9

SPEED TORQUE

	RPM	TORQUE % FULL LOAD	TORQUE LB.-FT.	AMPERES
LOCKED ROTOR	0	151	445	725
PULL UP	360	136	400	706
BREAKDOWN	1721	250	735	382
FULL LOAD	1783	100	295	112

AMPERES SHOWN FOR 460. VOLT CONNECTION. IF OTHER VOLTAGE CONNECTIONS ARE AVAILABLE, THE AMPERES WILL VARY INVERSELY WITH THE RATED VOLTAGE

REMARKS: TYPICAL DATA  
NEMA NOM. EFF. 95.4 PCT  
GUARANTEED MIN EFF. 94.5 PCT

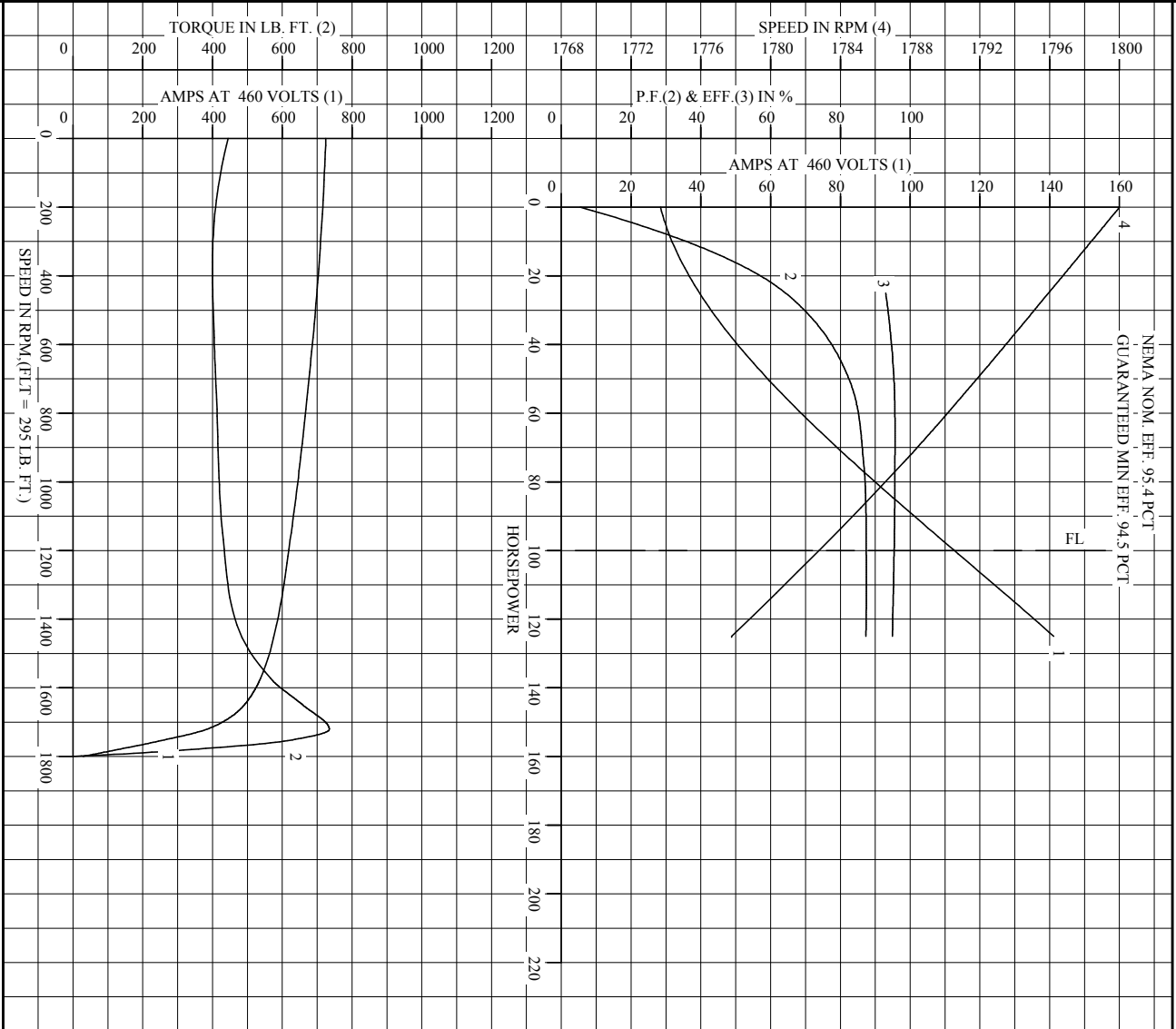


DR. BY R.K. BRIDGES  
CK. BY W.L. SMITH  
APP. BY W.L. SMITH  
DATE 05/14/14

A-C MOTOR PERFORMANCE DATA  
A40WG0692-R001  
ISSUE DATE 01/04/18



REL S.O.	405T	RPM	1785	S.F.	1.15	ROTOR	418142-33-RE
FRAME	405T	VOLTS	230/460	NEMA DESIGN	B	TEST S.O.	TYPICAL DATA
HP	100	AMPS	224/112	CODE LETTER	G	TEST DATE	---
TYPE	P	DUTY	CONT	ENCLOSURE	TEFC	STATOR RES. @ 25 °C	.0123 / .0492
PHASE/HERTZ	3/60	AMB °/INSUL	40/F	E/S	566956	ORNS (BETWEEN LINES)	

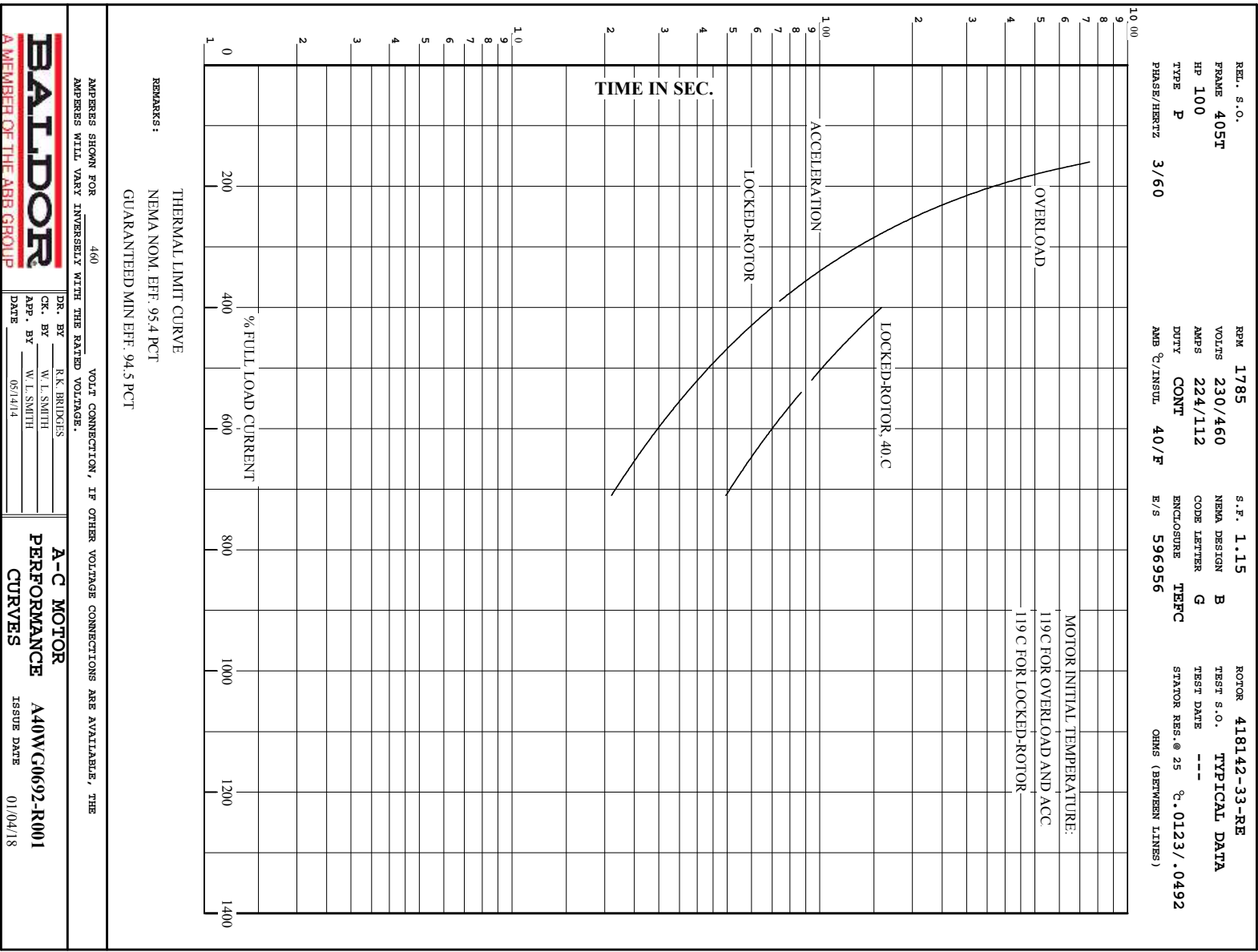


AMPS SHOWN FOR 460 VOLT CONNECTION, IF OTHER VOLTAGE CONNECTIONS ARE AVAILABLE, THE AMPS WILL VARY INVERSELY WITH THE RATED VOLTAGE.



DR. BY R. K. BRIDGES  
 CK. BY W. L. SMITH  
 APP. BY W. L. SMITH  
 DATE 05/14/18

**A-C MOTOR PERFORMANCE CURVES**  
 A40WC0692-R001  
 ISSUE DATE 01/04/18



**BALDOR**  
 A MEMBER OF THE ABB GROUP

DR. BY            R. K. BRIDGES  
 CK. BY            W. L. SMITH  
 APP. BY            W. L. SMITH  
 DATE            05/14/14

**A-C MOTOR**  
**PERFORMANCE**  
**CURVES**  
**A40W/C0692-R001**  
 ISSUE DATE 01/04/18

## DUTY MASTER ALTERNATING CURRENT MOTORS

### SQUIRREL-CAGE INDUCTION

ENCLOSURE: TOTALLY ENCLOSED

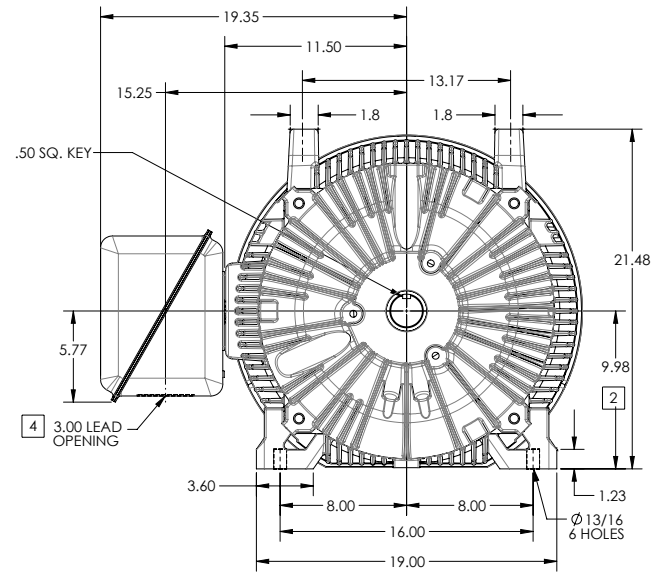
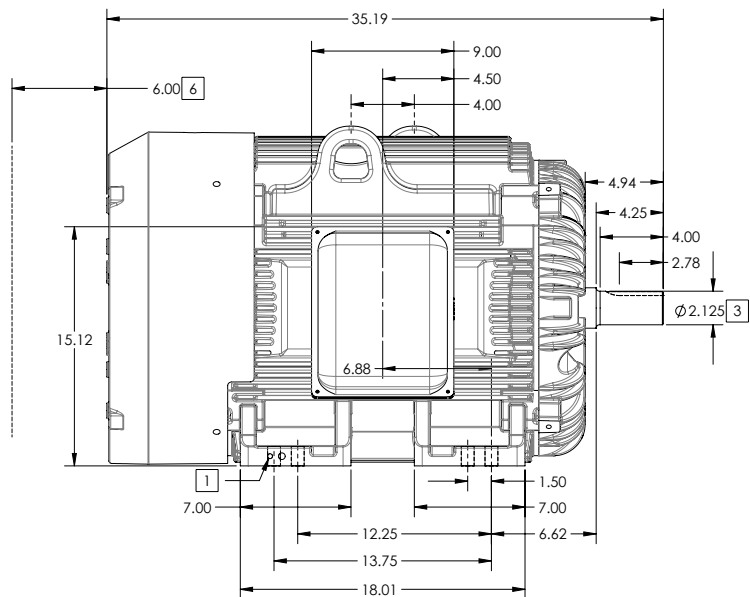
FRAME G405TS ABOVE NEMA RATINGS

COOLING: FAN COOLED

MOUNTING: FOOT

INCLUDES 404TS FRAME MOUNTING HOLES

STANDARD INDUSTRIAL ENCLOSURE



1. GROUND HOLES QTY 1 1/2-13 TAP; QTY 1 3/8-16 TAP
2. VARIES +.00,-.06
3. VARIES +.00,-.001
4. ON STANDARD MOTORS THIS IS CONDUIT SIZE. ON XT AND CORROSION PROOF MOTOR THIS IS PIPE TAP.
5. MOTOR WEIGHTS MAY VARY BY 15% DEPENDING ON RATING.
6. OBSTRUCTION MUST NOT ENCROACH ON AIR INLET

[5] WEIGHT (LBS): 1160

CONDUIT BOX LOCATED ON OPPOSITE SIDE WHEN F-2.  
IF MOUNTING CLEARANCE DETAILS ARE REQUIRED, CONSULT FACTORY.  
MAXIMUM PERMISSIBLE SHAFT RUNOUT WHEN MEASURED AT END OF STANDARD SHAFT EXTENSION IS .003" T.I.R. TO 5 INCH DIA.

DIMENSIONS ARE IN INCHES; SEE SHEET 2 FOR DIMENSIONS IN MILLIMETERS

CUSTOMER IS RESPONSIBLE FOR DETERMINING THAT MOTOR PERFORMANCE IS SUITABLE IN THE APPLICATION.

SHEET NUMBER  
**1 OF 2**

2007-6272119

REV. DESC: CHANGE BA FROM 6.76 TO 6.62			
REV: B	VERSION: 02	REVISED: 04/37/41 04/14/2014	TDR: 00000848770
MODEL NO. 617429-002		REF:	
BY: MGHMMZ	Material:	C	

**BALDOR**

G405TS-404TS STD - FOOTED - STANDARD ENCLOSURE

# DUTY MASTER ALTERNATING CURRENT MOTORS

## SQUIRREL-CAGE INDUCTION

ENCLOSURE: TOTALLY ENCLOSED

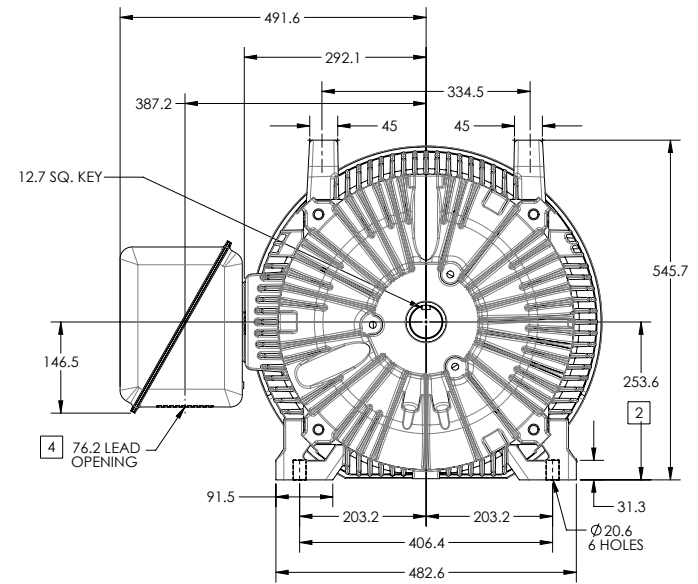
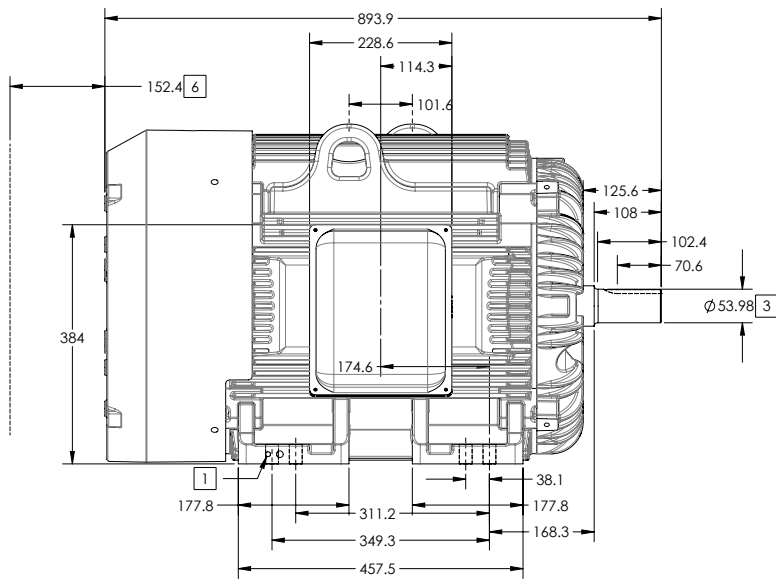
FRAME G405TS ABOVE NEMA RATINGS

COOLING: FAN COOLED

MOUNTING: FOOT

INCLUDES 404TS FRAME MOUNTING HOLES

STANDARD INDUSTRIAL ENCLOSURE



1. GROUND HOLES QTY 1 1/2-13 TAP; QTY 1 3/8-16 TAP
2. VARIES +0,-1.5
3. VARIES +00,-.03
4. ON STANDARD MOTORS THIS IS CONDUIT SIZE. ON XT AND CORROSION PROOF MOTOR THIS IS PIPE TAP.
5. MOTOR WEIGHTS MAY VARY BY 15% DEPENDING ON RATING.
6. OBSTRUCTION MUST NOT ENCROACH ON AIR INLET

[5] WEIGHT (KGS): 530

CONDUIT BOX LOCATED ON OPPOSITE SIDE WHEN F-2.  
IF MOUNTING CLEARANCE DETAILS ARE REQUIRED, CONSULT FACTORY.  
MAXIMUM PERMISSIBLE SHAFT RUNOUT WHEN MEASURED AT END OF STANDARD SHAFT EXTENSION IS .08 MM T.I.R. TO 127 MM DIA.

DIMENSIONS ARE IN MILLIMETERS; SEE SHEET 1 FOR DIMENSIONS IN INCHES

CUSTOMER IS RESPONSIBLE FOR DETERMINING THAT MOTOR PERFORMANCE IS SUITABLE IN THE APPLICATION.

SHEET NUMBER  
**2 OF 2**

200-672119

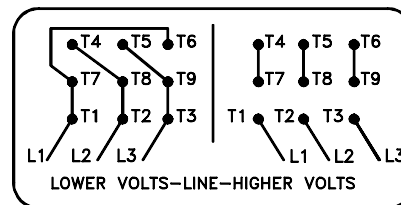
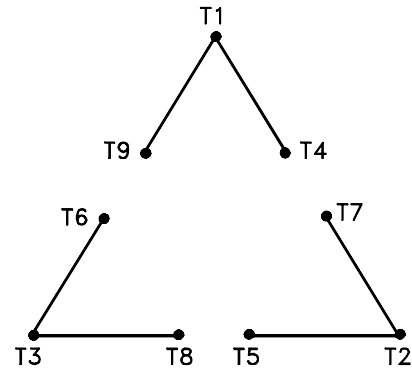
REV. DESC: CHANGE BA FROM 6.76 TO 6.62	TDR: 00000848770
REV: B VERSION: 02 REVISED: 04/37/41 04/14/2014	REF:
MODEL NO. 617429-002	REF:
BY: MGHMMZ2	Material:

**BALDOR**

G405TS-404TS STD - FOOTED - STANDARD ENCLOSURE

416820-002

A-C MOTOR  
 CONNECTION DIAGRAM  
 STANDARD 9 LEAD DELTA-CONNECTED



(N.P. 1575-B)

416820-002

REV. DESC: LOADED TO BUS, C/R 335225		
REV. LTR: -	VERSION: 00	TDR: 000000538207
FILE: \MGA\00000\661	REVISED: 10: 47: 51 04/30/2010	
MTL: -	BY: RAGRA	

<b>BALDOR</b>
CONN DIAG - STANDARD 9 LEAD, DELTA-CONNECTED
SH 1 of 1