

BALDOR® • RELIANCE 

Product Information Packet

EM4400T

100HP, 1785RPM, 3PH, 60HZ, 405T, A40064M, TEFC

Part Detail							
Revision:	M	Status:	PRD/A	Change #:		Proprietary:	No
Type:	AC	Elec. Spec:	A40WG0251	CD Diagram:	416820-002	Mfg Plant:	
Mech. Spec:		Layout:	617429-001	Poles:	04	Created Date:	07-16-2013
Base:		Eff. Date:	04-06-2018	Leads:	3#2,6#4		

Specs			
Catalog Number:	EM4400T	Feedback Device:	NO FEEDBACK
Enclosure:	TEFC	Heater Indicator:	No Heater
Frame:	405T	Insulation Class:	F
Frame Material:	Iron	Inverter Code:	Inverter Ready
Output @ Frequency:	100.000 HP @ 60 HZ	KVA Code:	G
Synchronous Speed @ Frequency:	1800 RPM @ 60 HZ	Lifting Lugs:	Standard Lifting Lugs
Voltage @ Frequency:	230.0 V @ 60 HZ	Motor Lead Quantity/Wire Size:	3 @ 2 AWG
	460.0 V @ 60 HZ	Motor Type:	A40064M
XP Class and Group:	None	Mounting Arrangement:	F1
XP Division:	Not Applicable	Power Factor:	87
Agency Approvals:	CCSA US	Pulley End Bearing Type:	Ball
	CSA EEV	Pulley Face Code:	Standard
Auxillary Box:	No Auxillary Box	Shaft Ground Indicator:	No Shaft Grounding
Base Indicator:	Rigid	Shaft Rotation:	Reversible
Bearing Grease Type:	Polyrex EM (-20F +300F)	Shaft Slinger Indicator:	No Slinger
Current @ Voltage:	112.000 A @ 460.0 V	Speed Code:	Single Speed
	224.000 A @ 230.0 V	Motor Standards:	NEMA
Design Code:	B	Starting Method:	Direct on line

Drip Cover:	No Drip Cover	Thermal Device - Bearing:	None
Duty Rating:	CONT	Thermal Device - Winding:	None

Nameplate NP2383L										
CAT.NO.	EM4400T			SPEC NO.	P40G3923					
HP	100	AMPS	224/112		VOLTS	230/460		DESIGN	B	
FRAME	405T	RPM	1785	HZ	60	AMB	40	SF	1.15	
DRIVE END BEARING	80BC03J30X			PHASE	3	DUTY	CONT		INSUL.CLASS	F
OPP D.E. BEARING	80BC03J30X			TYPE	P	ENCL	TEFC	CODE	G	
SER.NO.				POWER FACTOR	87		NEMA-NOM-EFFICIENCY	95.4		
NEMA NOM/CSA QUOTED EFF				MAX CORR KVAR	18		GUARANTEED EFFICIENCY	94.5		
				MOTOR WEIGHT						

Parts List		
Part Number	Description	Quantity
SA267712	SA P40G3923	1.000 EA
RA254382	RA P40G3923	1.000 EA
000613006PU	N/P (RELEASE QTY 10,000) UL CSA LABEL	1.000 EA
000692000VD	LABEL WARNING	1.000 EA
000692000FF	N/P	1.000 EA
NP2383L	SUPER-E ,SS, CC, CSA-C US, CSA EEV	1.000 EA
421948032	LABEL, MYLAR	1.000 EA
004824015A	GREASE POLYREX EM	0.884 LB
032018008CK	HHCS 3/8-16X1L PLATED	4.000 EA
032018008CK	HHCS 3/8-16X1L PLATED	4.000 EA
032018020EK	HHCS 5/8-11X2-1/2 PLTD.	4.000 EA
032018026CK	HHCS 3/8-16X3-1/4 PLTD.	3.000 EA
034000014AB	WSH ID.406 OD.812 TH.065	4.000 EA
034180012DA	KEY 1X4X1/4X1-1/2 L	1.000 EA
034530060AB	P/NIP 1/8X7-1/2 GALV.	1.000 EA
034530056BB	P/NIP 1/4X7 SCHED 40	1.000 EA
034692005AA	P PLUG 3/4"BLK.	1.000 EA
034690001AB	1/8" NPT SQHDPLG	1.000 EA
034631002AB	BUSH 1/4 TO 1/8 PLTD.	1.000 EA
034690001AB	1/8" NPT SQHDPLG	1.000 EA
078548001R	FAN KB 234/150 (84) 400	1.000 EA
083198127A	G400 MOLDED FAN COVER	1.000 EA
089412501A	BRKT FTMT G400 FIN MACH 6316 89412500WCA	1.000 EA
415045002B	SLGR	1.000 EA

Parts List (continued)		
Part Number	Description	Quantity
410700000DA	WAVY SPRING WASHER	1.000 EA
415072001B	CLAMP	1.000 EA
415096002A	CPLG 1/8 HEX TYPE	1.000 EA
032018020EK	HHCS 5/8-11X2-1/2 PLTD.	4.000 EA
032018026CK	HHCS 3/8-16X3-1/4 PLTD.	3.000 EA
034690002AB	PPLG 1/4" PLTD.	1.000 EA
034690001AB	1/8" NPT SQHDPLG	1.000 EA
089412501A	BRKT FTMT G400 FIN MACH 6316 89412500WCA	1.000 EA
415045002B	SLGR	1.000 EA
032018005AK	HHCS 1/4-20X5/8 PLATED	4.000 EA
033512004LB	HHTTS 1/4-20X1/2 PLTD.	1.000 EA
035000001A	ALFTG 1/8" 1610-BL	1.000 EA
035000001A	ALFTG 1/8" 1610-BL	1.000 EA
043292000AJ	GASK 320-400	1.000 EA
077176000L	C/BOX, 360-400	1.000 EA
077176001A	CBOXC, PAINTED 360-400	1.000 EA
402731001A	GASK 360-440	1.000 EA
406099000A	PLUG - FAN COVER 320-440	1.000 EA
415000103D	T/LUG #4AWG-1/0AWG W/HOLE FOR .250 BOLT	1.000 EA
418150003A	GREASE FITTING CAP	1.000 EA
MG1025Y17	WILKOFAS, 789.701, SUPER E PEARL GOLD	0.375 GA
418150003A	GREASE FITTING CAP	1.000 EA
033775004EA	DRSCR #6-1/4 304 S.S.	2.000 EA
034180044JA	KEY 3/4X3/4X5-1/2 L	1.000 EA

604797045	STD. 400 FRAME SKID	1.000 EA
-----------	---------------------	----------

REL. S.O.	FRAME	HP	TYPE	PHASE/HERTZ	RPM	VOLTS
	405T	100	P	3/60	1785	230/460
AMPS	DUTY	AMB °C/ INSUL.	S.F.	NEMA DESIGN	CODE LETTER	ENCL.
224/112	CONT	40/F	1.15	B	G	TEFC
E/S	ROTOR	TEST S.O.	TEST DATE	STATOR RES. @25 °C OHMS (BETWEEN LINES)		
596956	418142-33-RE	---	---	.0123/.0492		

PERFORMANCE

LOAD	HP	AMPERES	RPM	POWER FACTOR %	EFFICIENCY %
NO LOAD	0	28.6	1800	5.49	0
1/4	25.0	39.2	1796	64.3	93.0
2/4	50.0	59.5	1792	82.5	95.4
3/4	75.0	84.6	1788	86.7	95.7
4/4	100	112	1783	87.4	95.4
5/4	125	141	1778	87.3	94.9

SPEED TORQUE

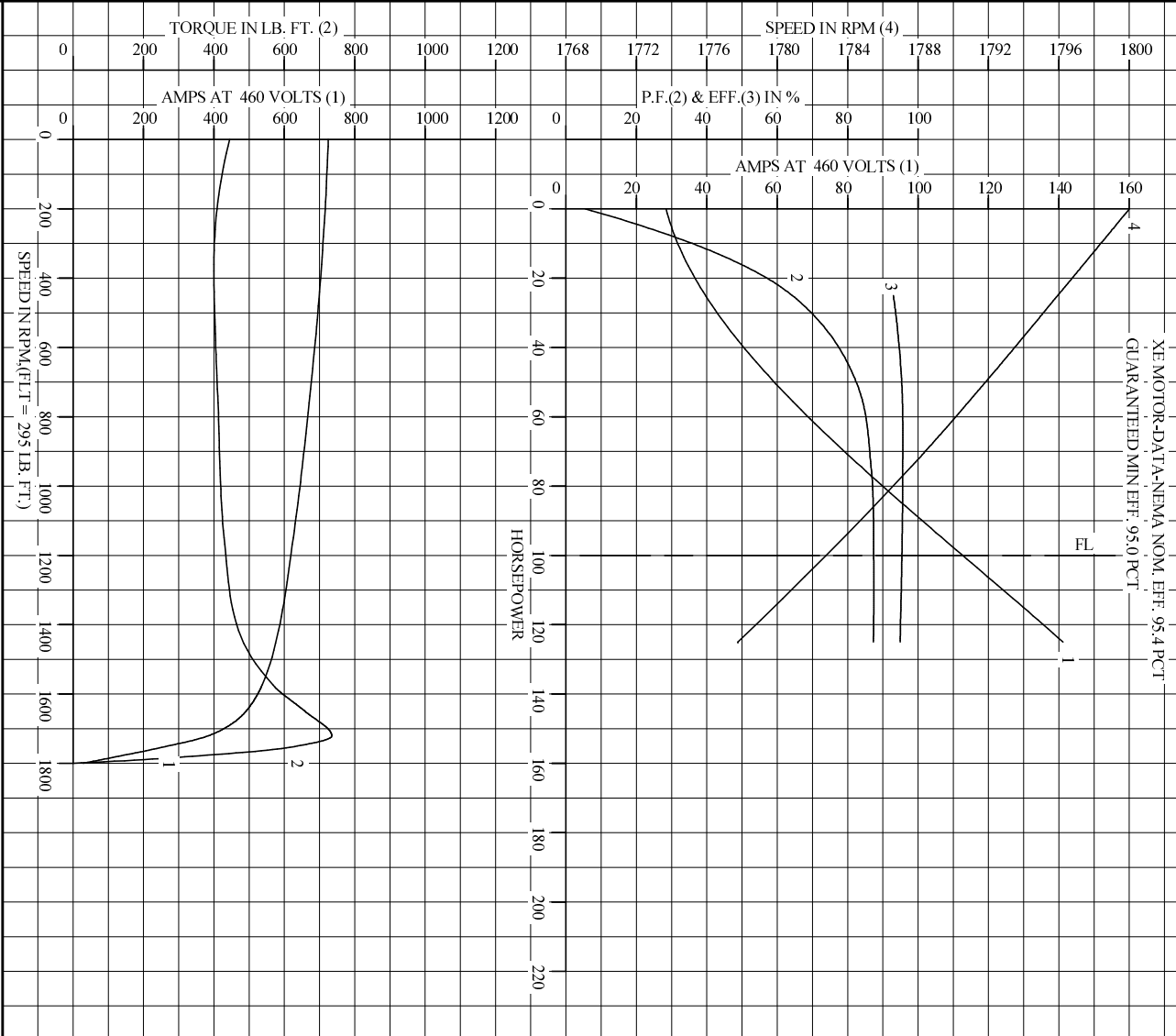
	RPM	TORQUE % FULL LOAD	TORQUE LB.-FT.	AMPERES
LOCKED ROTOR	0	151	445	725
PULL UP	360	136	400	706
BREAKDOWN	1721	250	735	382
FULL LOAD	1783	100	295	112

AMPERES SHOWN FOR 460. VOLT CONNECTION. IF OTHER VOLTAGE CONNECTIONS ARE AVAILABLE, THE AMPERES WILL VARY INVERSELY WITH THE RATED VOLTAGE

REMARKS: TYPICAL DATA
 XE MOTOR-DATA-NEMA NOM. EFF. 95.4 PCT
 GUARANTEED MIN EFF. 95.0 PCT

BALDOR	DR. BY J.J. HARRISON	A-C MOTOR	
	CK. BY W. L. SMITH		PERFORMANCE
	APP. BY W. L. SMITH		DATA
DATE 07/26/04		ISSUE DATE 12/15/10	

REL. S.O. _____ RPM 1785 S.F. 1.15 ROTOR 418142-33-RE
 FRAME 405T VOLTS 230/460 NEMA DESIGN B TEST S.O. TYPICAL DATA
 HP 100 AMPS 224/112 CODE LETTER G TEST DATE ---
 TYPE P DUTY CONT ENCLOSURE TEFC STATOR RES. @ 25 °C .0123/.0492
 PHASE/HERTZ 3/60 AMB °C/INSUL 40/F E/S 596956 OHMS (BETWEEN LINES)



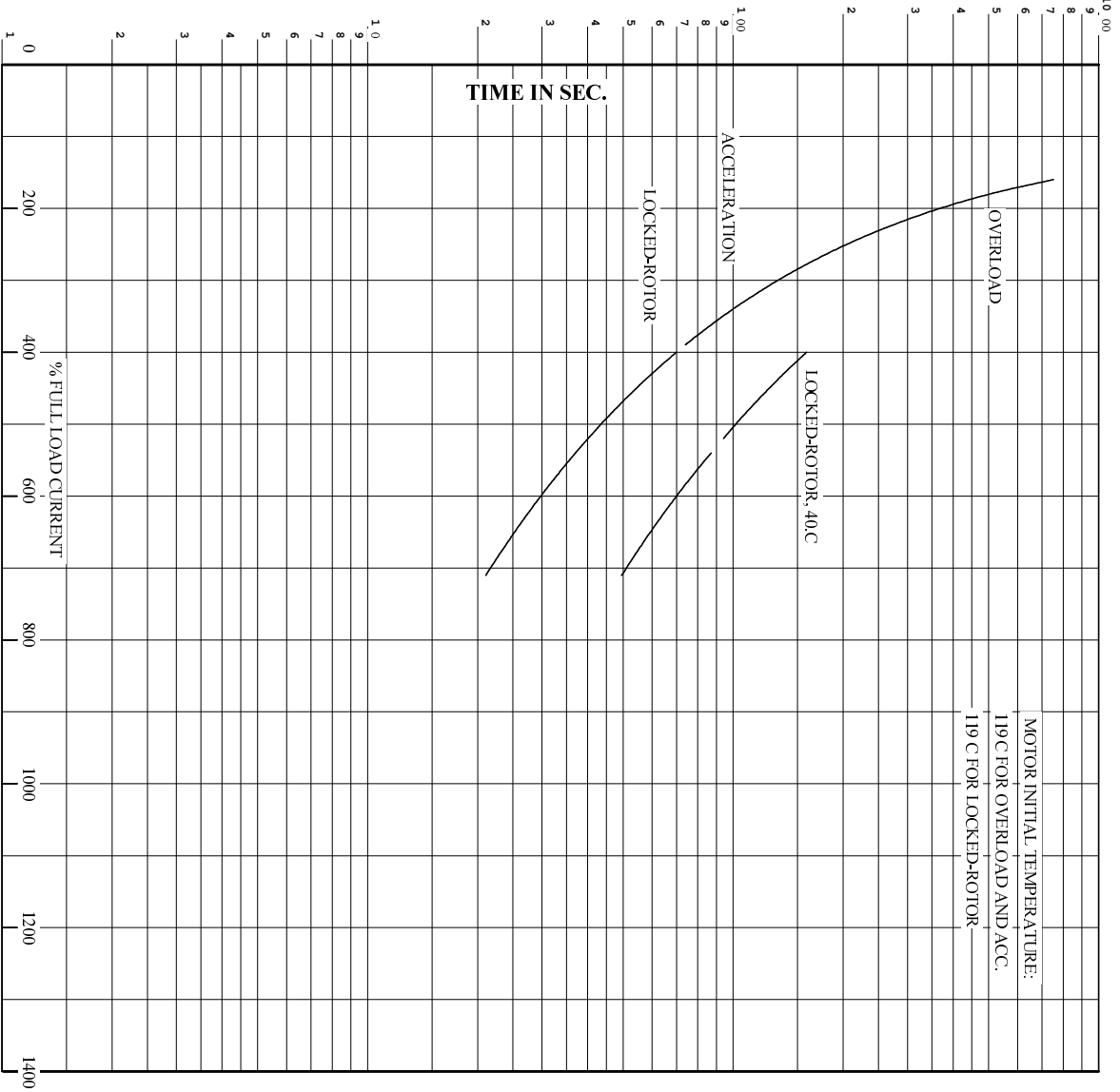
AMPERES SHOWN FOR 460 VOLT CONNECTION, IF OTHER VOLTAGE CONNECTIONS ARE AVAILABLE, THE AMPERES WILL VARY INVERSELY WITH THE RATED VOLTAGE.

BALDOR DR. BY J.HARRISON
 CK. BY W.L.SMITH
 App. BY W.L.SMITH
 DATE 07/26/04

A-C MOTOR PERFORMANCE CURVES A40WG0251-R001
 ISSUE DATE 12/15/10

Printed on 12/15/10 16:31 @ psecs-motorengr

RET. S.O. RPM 1785 S.F. 1.15 ROTOR 418142-33-RE
 FRAME 405T VOLTS 230/460 NEMA DESIGN B TEST S.O. TYPICAL DATA
 HP 100 AMPS 224/112 CODE LETTER G TEST DATE ---
 TYPE P DUTY CONT ENCLOSURE TEFC STATOR RES. @ 25 C. 0123/.0492
 PHASE/HERTZ 3/60 AMB C/INSUL 40/F E/S 596956 OHMS (BETWEEN LINES)



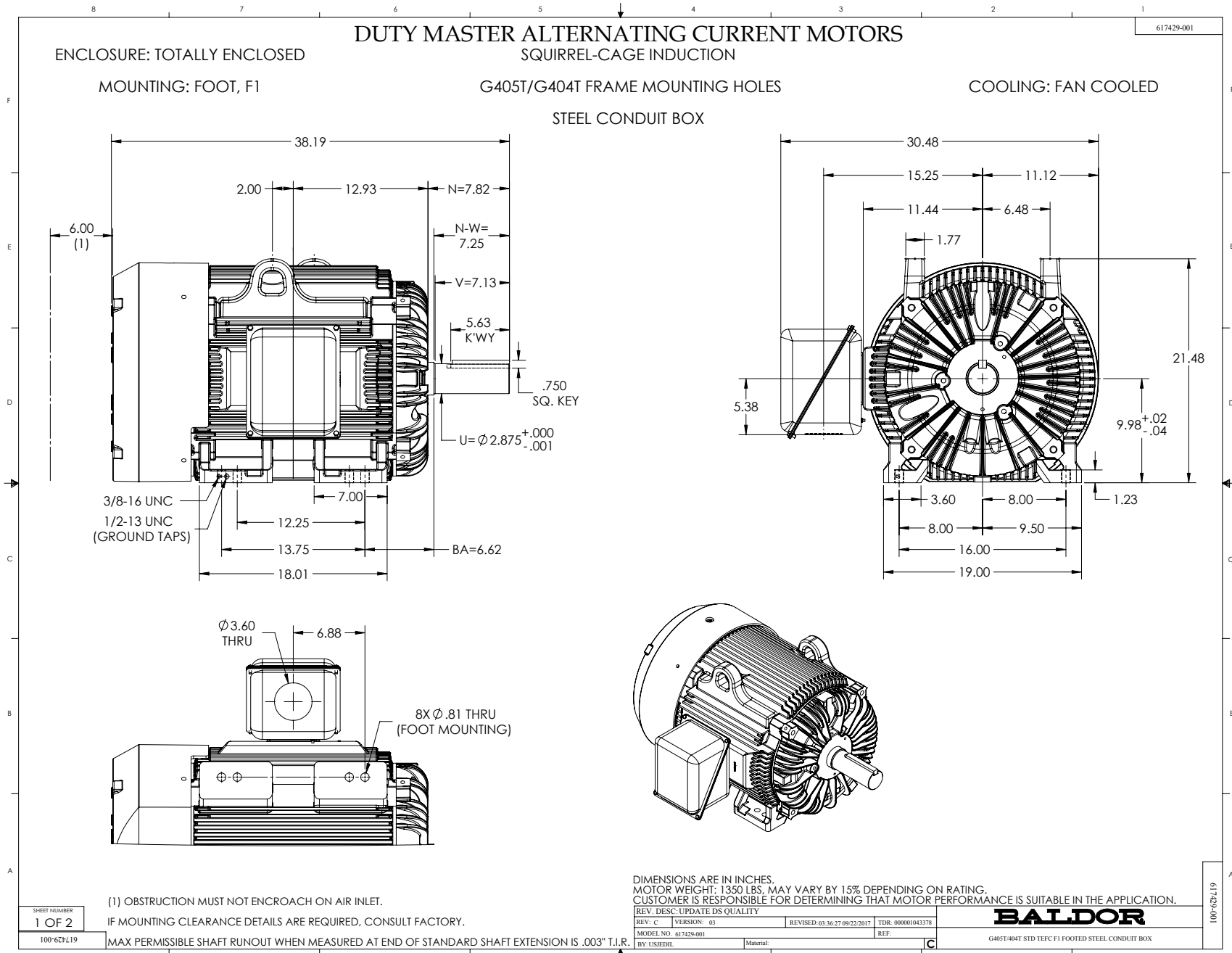
REMARKS: THERMAL LIMIT CURVE
 XE MOTOR-DATA-NEMA NOM. EFF. 95.4 PCT
 GUARANTEED MIN EFF. 95.0 PCT

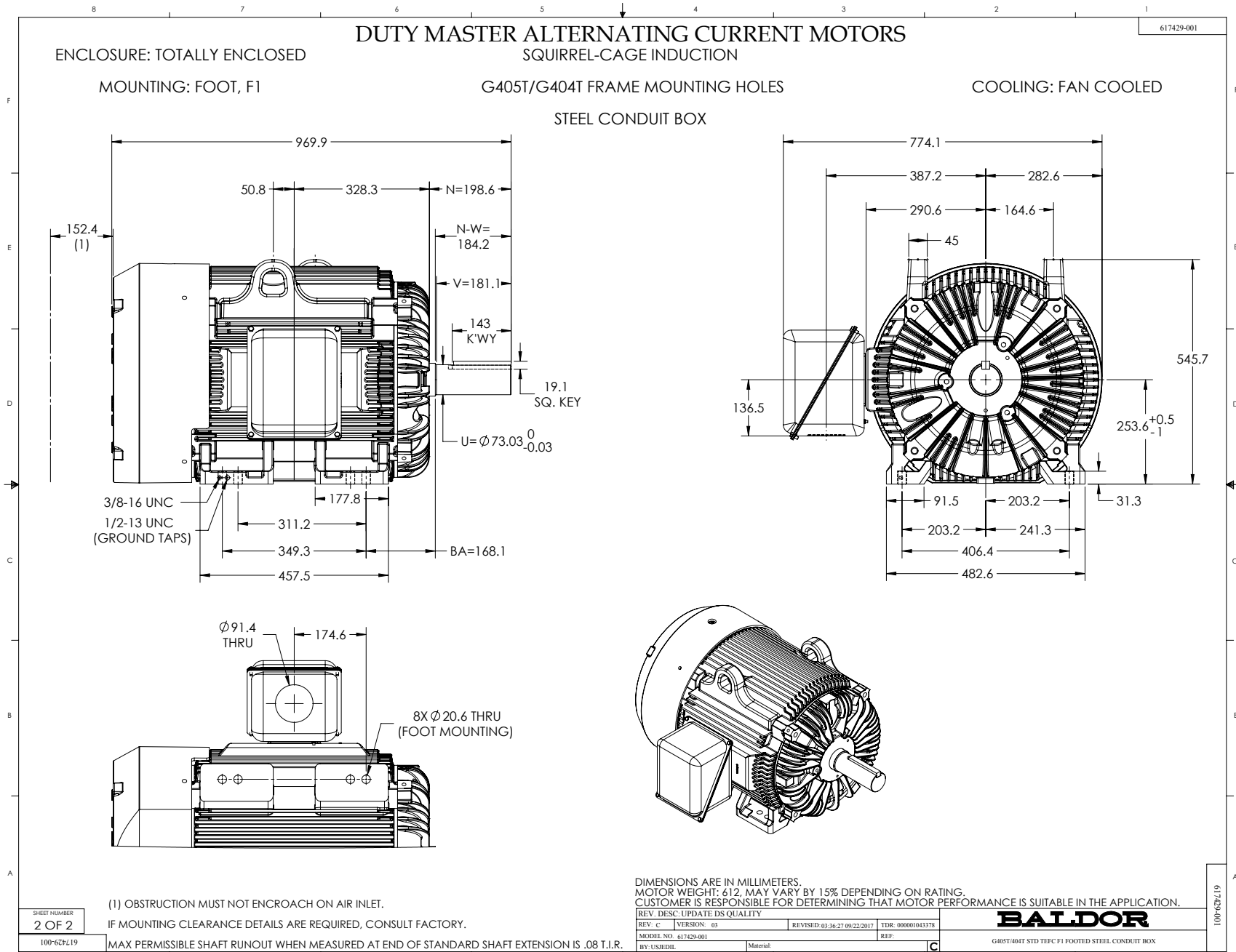
AMPERES SHOWN FOR 460 VOLT CONNECTION, IF OTHER VOLTAGE CONNECTIONS ARE AVAILABLE, THE AMPERES WILL VARY INVERSELY WITH THE RATED VOLTAGE.



DR. BY J.HARRISON
 CK. BY W.L. SMITH
 App. BY W.L. SMITH
 DATE 07/26/04

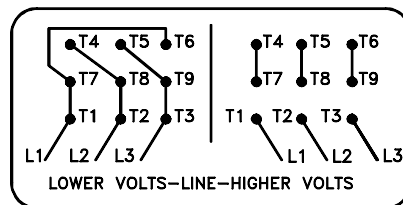
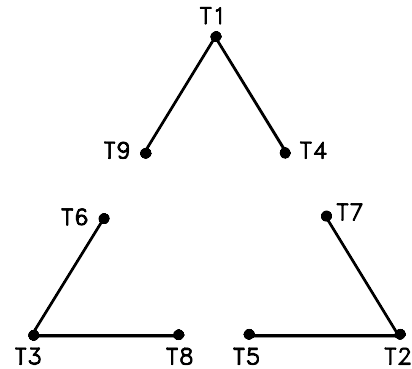
A-C MOTOR
PERFORMANCE
CURVES
A40WG0251-R001
 ISSUE DATE 12/15/10





416820-002

A-C MOTOR
 CONNECTION DIAGRAM
 STANDARD 9 LEAD DELTA-CONNECTED



(N.P. 1575-B)

416820-002

REV. DESC: LOADED TO BUS, C/R 335225		
REV. LTR: -	VERSION: 00	TDR: 000000538207
FILE: \MGA\00000\661	REVISED: 10:47:51 04/30/2010	
MTL: -	BY: RAGRA	

BALDOR

CONN DIAG - STANDARD 9 LEAD, DELTA-CONNECTED

SH 1 of 1

Marketing maintained PDF of MN408:

<http://www.baldor.com/support/Literature/Load.ashx/MN408?ManNumber=MN408>

Marketing maintained PDF of MN416:

<http://www.baldor.com/support/Literature/Load.ashx/MN416?ManNumber=MN416>