

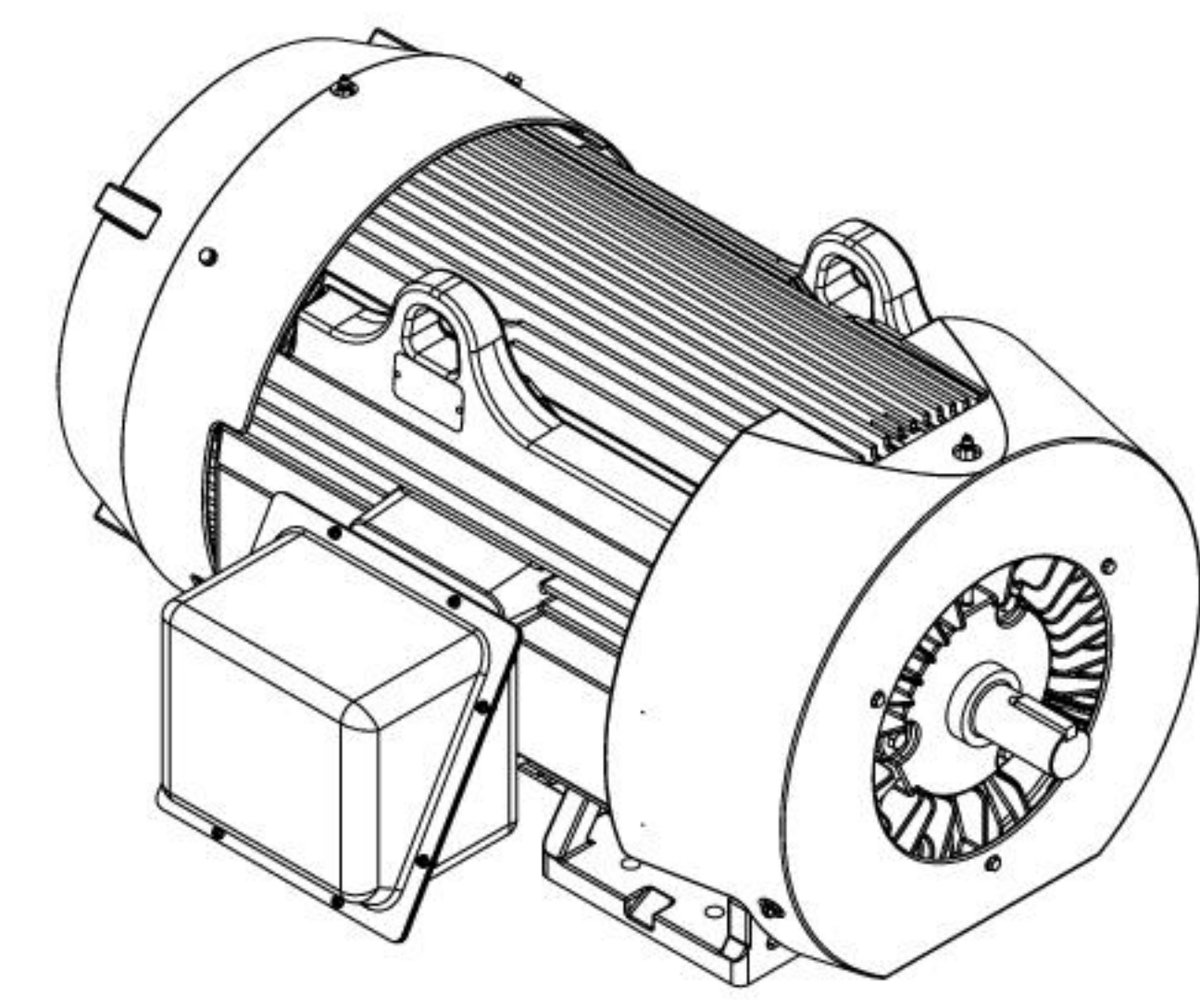
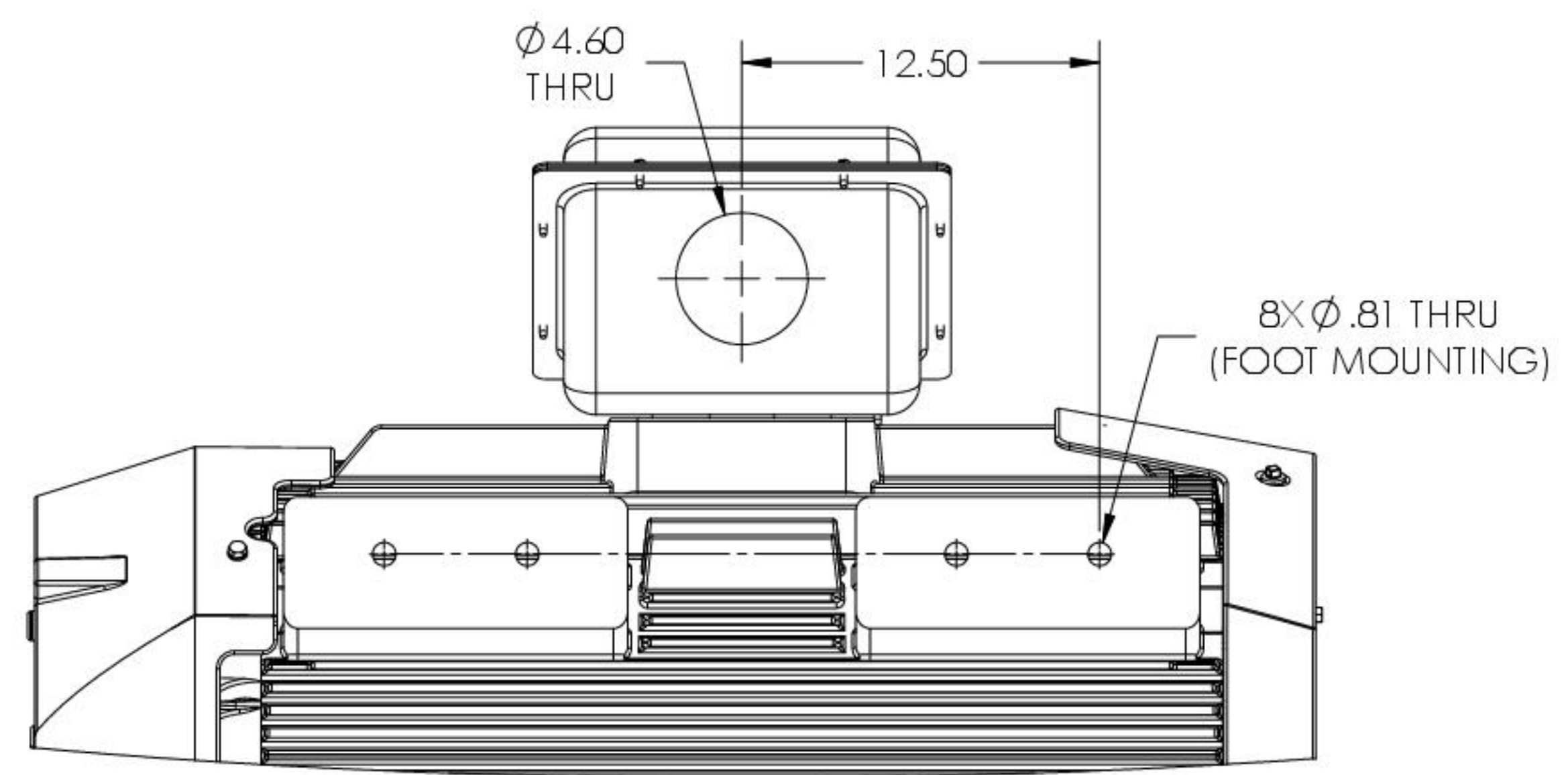
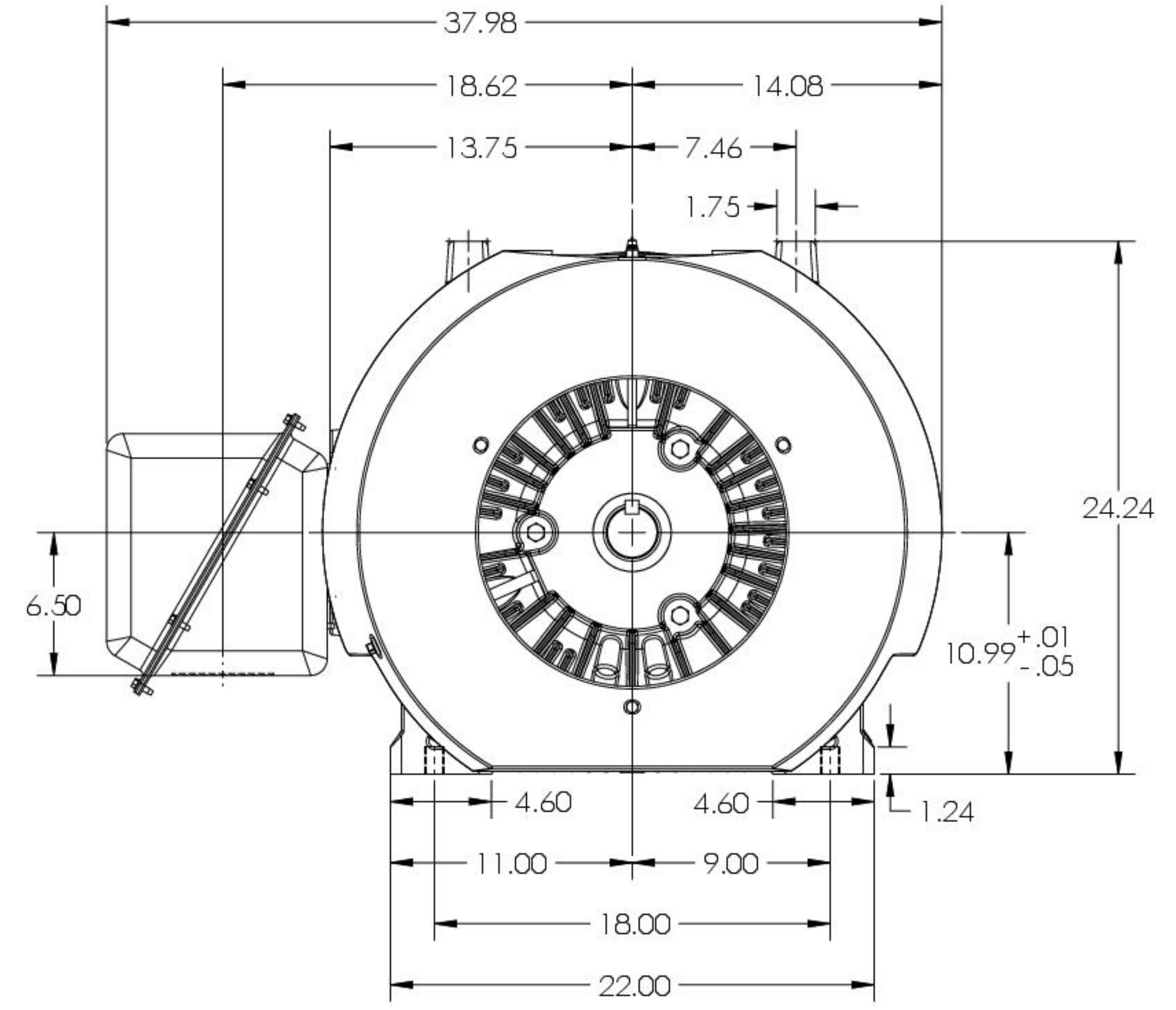
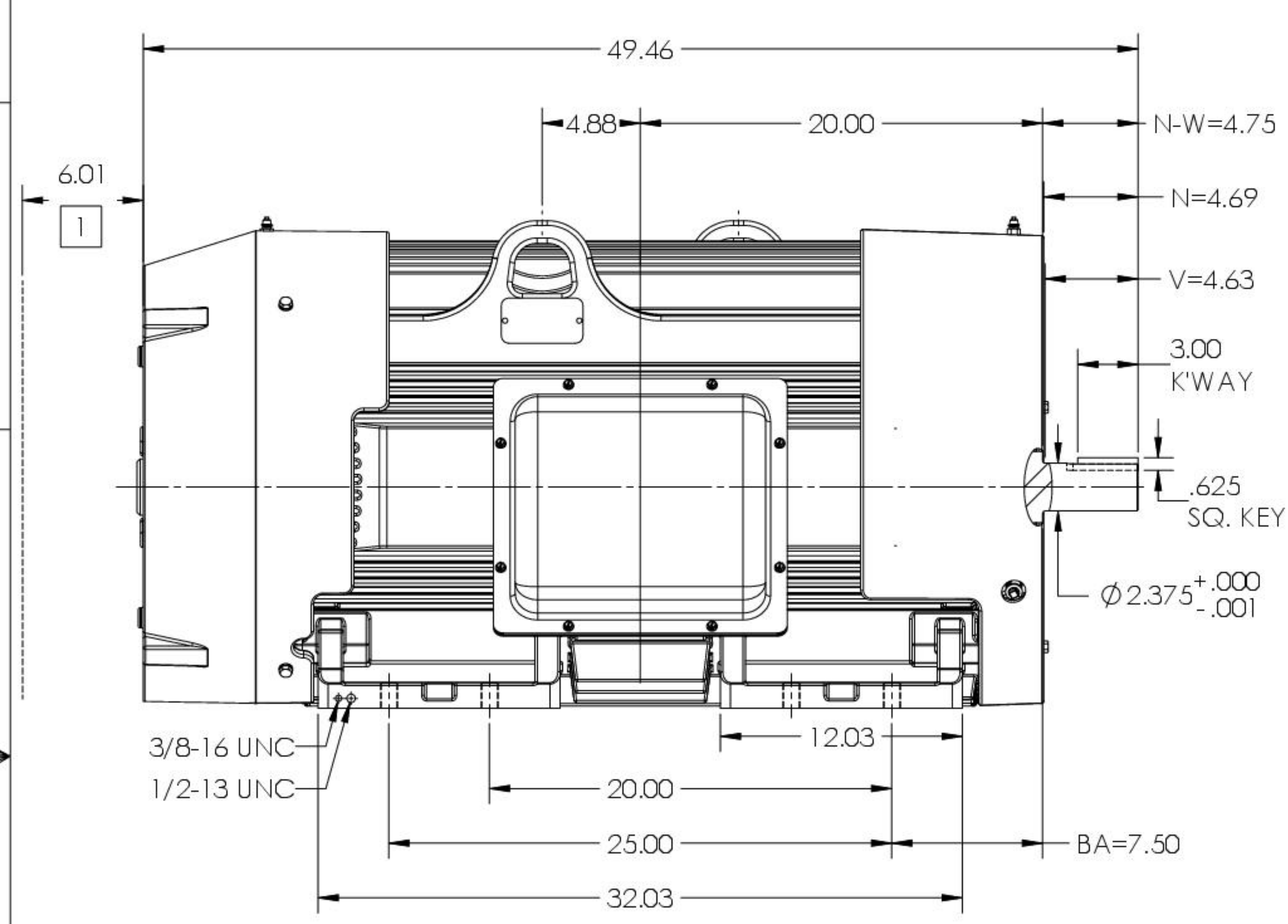
# DUTY MASTER ALTERNATING CURRENT MOTORS SQUIRREL-CAGE INDUCTION

ENCLOSURE: TOTALLY ENCLOSED

MOUNTING: FOOT, F1

G449TS/G447TS FRAME MOUNTING HOLES

COOLING: FAN COOLED



DIMENSIONS ARE IN INCHES.  
 WEIGHT (LBS): 3045, MOTOR WEIGHTS MAY VARY BY 15% DEPENDING ON RATING.  
 CUSTOMER IS RESPONSIBLE FOR DETERMINING THAT MOTOR PERFORMANCE IS SUITABLE IN THE APPLICATION.

REV. B	VERSION: 02	REVISED: 02:50:14 07/08/2022	TD R: 000001193529
MODEL NO. 617427-460			
BY: USBUFRA			

## BALDOR

G449/447TS TEFC F1 FOOT/SIDE/CENTER STEEL CONDUIT BOX

1 OBSTRUCTION MUST NOT ENCROACH ON AIR INLET.

IF MOUNTING CLEARANCE DETAILS ARE REQUIRED, CONSULT FACTORY.  
MAX PERMISSIBLE SHAFT RUNOUT WHEN MEASURED AT END OF STANDARD SHAFT EXTENSION IS .003" T.I.R.