

BALDOR® • RELIANCE 

Product Information Packet

EM4410T-5

125HP, 1785RPM, 3PH, 60HZ, 444T, A44076M, TEFC

| Part Detail | | | | | | | |
|-------------|----|-------------|------------|-------------|------------|---------------|------------|
| Revision: | H | Status: | PRD/A | Change #: | | Proprietary: | No |
| Type: | AC | Elec. Spec: | A44WG3904 | CD Diagram: | 416820-036 | Mfg Plant: | |
| Mech. Spec: | | Layout: | 617427-001 | Poles: | 04 | Created Date: | 08-13-2012 |
| Base: | | Eff. Date: | 09-07-2017 | Leads: | 3#1 | | |

| Specs | | | |
|--------------------------------|-------------------------|--------------------------------|-----------------------|
| Catalog Number: | EM4410T-5 | Heater Indicator: | No Heater |
| Enclosure: | TEFC | Insulation Class: | F |
| Frame: | 444T | Inverter Code: | Not Inverter |
| Frame Material: | Iron | KVA Code: | G |
| Output @ Frequency: | 125.000 HP @ 60 HZ | Lifting Lugs: | Standard Lifting Lugs |
| Synchronous Speed @ Frequency: | 1800 RPM @ 60 HZ | Motor Lead Quantity/Wire Size: | 3 @ 1 AWG |
| Voltage @ Frequency: | 575.0 V @ 60 HZ | Motor Type: | A44076M |
| XP Class and Group: | None | Mounting Arrangement: | F1 |
| XP Division: | Not Applicable | Power Factor: | 85 |
| Agency Approvals: | CCSA US | Product Family: | Other |
| | CSA EEV | Pulley End Bearing Type: | Ball |
| Auxillary Box: | No Auxillary Box | Pulley Face Code: | Standard |
| Base Indicator: | Rigid | Shaft Ground Indicator: | No Shaft Grounding |
| Bearing Grease Type: | Polyrex EM (-20F +300F) | Shaft Rotation: | Reversible |
| Current @ Voltage: | 115.000 A @ 575.0 V | Shaft Slinger Indicator: | No Slinger |
| Design Code: | B | Speed Code: | Single Speed |
| Drip Cover: | No Drip Cover | Motor Standards: | NEMA |
| Duty Rating: | CONT | Starting Method: | Direct on line |

| | | | |
|-------------------------|-------------|----------------------------------|------|
| Feedback Device: | NO FEEDBACK | Thermal Device - Bearing: | None |
| | | Thermal Device - Winding: | None |

| Nameplate NP2383L | | | | | | | | | |
|-------------------------|------------|------|-------|---------------|----------|-----------------------|------|-------------|------|
| CAT.NO. | EM4410T-5 | | | SPEC NO. | P44G3903 | | | | |
| HP | 125 | AMPS | 115 | VOLTS | 575 | DESIGN | B | | |
| FRAME | 444T | RPM | 1785 | HZ | 60 | AMB | 40 | SF | 1.15 |
| DRIVE END BEARING | 90BC03J30X | | PHASE | 3 | DUTY | CONT | | INSUL.CLASS | F |
| OPP D.E. BEARING | 90BC03J30X | | TYPE | P | ENCL | TEFC | CODE | G | |
| SER.NO. | | | | POWER FACTOR | 85 | NEMA-NOM-EFFICIENCY | 95.4 | | |
| NEMA NOM/CSA QUOTED EFF | | | | MAX CORR KVAR | 27.0 | GUARANTEED EFFICIENCY | 94.5 | | |
| | | | | MOTOR WEIGHT | 1669 | | | | |

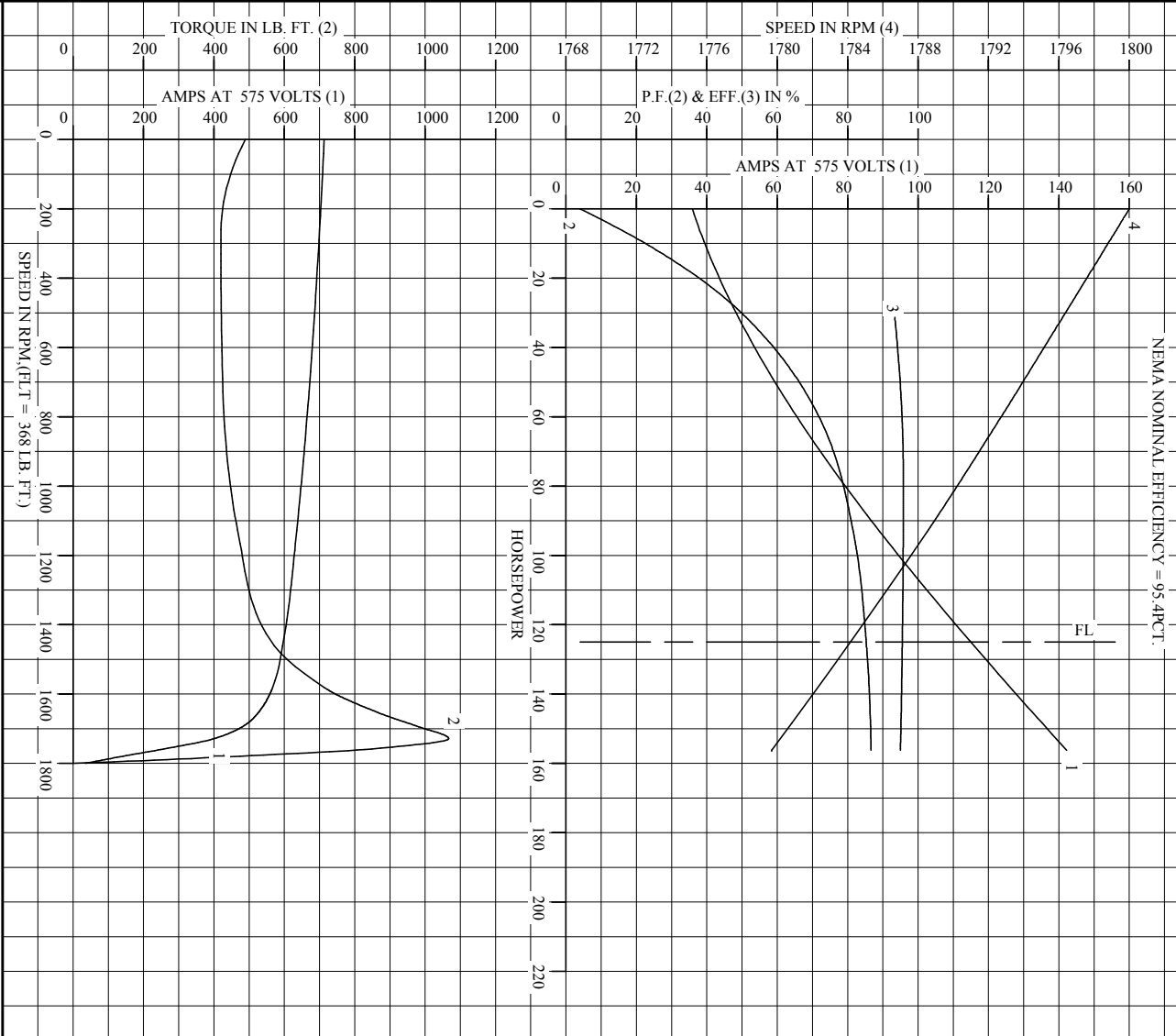
| Parts List | | |
|-------------|--|----------|
| Part Number | Description | Quantity |
| SA249398 | SA P44G3903 | 1.000 EA |
| RA236263 | RA P44G3903 | 1.000 EA |
| 421948051 | LABEL, MYLAR | 1.000 EA |
| 000613006PU | N/P (RELEASE QTY 10,000) UL CSA LABEL | 1.000 EA |
| 000692000VD | LABEL WARNING | 1.000 EA |
| NP2383L | SUPER-E ,SS, CC, CSA-C US, CSA EEV | 1.000 EA |
| 089490099A | G28 BRKT 089490098WCA KB | 1.000 EA |
| 415072001B | CLAMP | 1.000 EA |
| 083199126RA | G28 MOLDED FAN COVER W/BAFFLE ASSEMBLY | 1.000 EA |
| 034180014DA | KEY 1/4X1/4X1-3/4 L | 1.000 EA |
| 078548001R | FAN KB 234/150 (84) 400 | 1.000 EA |
| 004824015A | GREASE POLYREX EM | 1.160 LB |
| 032018020FK | HHCS 3/4-10X2-1/2 PLTD. | 4.000 EA |
| 032018008CK | HHCS 3/8-16X1L PLATED | 4.000 EA |
| 032018030DK | HHCS 1/2-13X3-3/4 PLTD. | 3.000 EA |
| 032018030DK | HHCS 1/2-13X3-3/4 PLTD. | 3.000 EA |
| 415096002A | CPLG 1/8 HEX TYPE | 1.000 EA |
| 410700004A | WSHR | 1.000 EA |
| 034017014AB | LCKW 3/8 STD. PLATED | 4.000 EA |
| 034530072AB | P/NIP 1/8X9"L Threaded both ends | 1.000 EA |
| 034690001AB | 1/8" NPT SQHDPLG | 1.000 EA |
| 089490099A | G28 BRKT 089490098WCA KB | 1.000 EA |
| 032018020FK | HHCS 3/4-10X2-1/2 PLTD. | 4.000 EA |
| 702658001A | CONDUIT BOX, E440 | 1.000 EA |

| Parts List (continued) | | |
|------------------------|---|----------|
| Part Number | Description | Quantity |
| 702658002A | +C/BOX CVR, PAINTED 440 | 1.000 EA |
| 415915007G | GASK, LAC | 1.000 FT |
| 406056008A | GASKET, TERBD 440 | 1.000 EA |
| 418153001A | GASK 440 | 1.000 EA |
| 032018008DK | HHCS 1/2-13X1 PLATED | 4.000 EA |
| 415000103D | T/LUG #4AWG-1/0AWG W/HOLE FOR .250 BOLT | 1.000 EA |
| 033512006LB | HHTTS 1/4-20X3/4 PLTD. | 8.000 EA |
| 406099000A | PLUG - FAN COVER 320-440 | 1.000 EA |
| 033512004LB | HHTTS 1/4-20X1/2 PLTD. | 1.000 EA |
| MG1025Y17 | WILKOFAS, 789.701, SUPER E PEARL GOLD | 0.250 GA |
| 033775004EA | DRSCR #6-1/4 304 S.S. | 2.000 EA |
| 034180054KA | KEY 7/8X7/8X6-3/4 L | 1.000 EA |
| 035000001A | ALFTG 1/8" 1610-BL | 1.000 EA |
| 035000001A | ALFTG 1/8" 1610-BL | 1.000 EA |
| 034690001AB | 1/8" NPT SQHDPLG | 1.000 EA |
| 034690002AB | PPLG 1/4" PLTD. | 1.000 EA |
| 034690005AB | PPLG 3/4 PLATED | 2.000 EA |
| 418151014G | RETAIN RING | 1.000 EA |
| 032018004BK | HHCS 5/16-18X1/2 PLATED | 3.000 EA |
| 415096002A | CPLG 1/8 HEX TYPE | 1.000 EA |
| 032018006BK | HHCS 5/16-18X3/4 PLATED | 3.000 EA |
| 702623013A | THERMAL BARRIER -- G28 -- BRACKET MTD | 1.000 EA |
| 034017013AB | LCKW 5/16 STD. PLATED | 3.000 EA |
| 034690002AB | PPLG 1/4" PLTD. | 1.000 EA |

Product Information Packet: EM4410T-5 - 125HP,1785RPM,3PH,60HZ,444T,A44076M,TEFC

| | | |
|-------------|-------------------------------------|----------|
| 034530044AB | P/NIP 1/8X5-1/2L GALV. | 1.000 EA |
| 032620016LA | SOCKET SET SCREW-449 | 3.000 EA |
| 000692000FF | N/P | 1.000 EA |
| PK5004A09 | BASE 48 X 39-1/4 STACK 2 X 4 RUUNER | 1.000 EA |

REL. S.O. _____ RPM 1785 S.F. 1.15 ROTOR 418143052KE
 FRAME 445 VOLTS 575 NEMA DESIGN B TEST S.O. CALCULATED DATA
 HP 125 AMPS 115 CODE LETTER G TEST DATE ---
 TYPE P DUTY CONT ENCLOSURE TEFC STATOR RES. @ 25 °C .0599
 PHASE/HERTZ 3/60 AMB °C/INSUL 40/F E/S 498874 OHMS (BETWEEN LINES)



AMPERES SHOWN FOR 575 VOLT CONNECTION, IF OTHER VOLTAGE CONNECTIONS ARE AVAILABLE, THE AMPERES WILL VARY INVERSELY WITH THE RATED VOLTAGE.

BALDOR
 A MEMBER OF THE ABB GROUP

DR. BY C. JAMISON
 CK. BY W. SMITH
 APP. BY W. SMITH
 DATE 04/09/12

A-C MOTOR PERFORMANCE CURVES
 A44WG3004-R001
 ISSUE DATE 04/09/12

Printed on 4/9/12 8:52 @ ragsun

| | | | | | | |
|-----------|-------------|-------------------|-----------|--|-------------|-------|
| REL. S.O. | FRAME | HP | TYPE | PHASE/HERTZ | RPM | VOLTS |
| | 445 | 125 | P | 3/60 | 1785 | 575 |
| AMPS | DUTY | AMB °C/ INSUL. | S.F. | NEMA DESIGN | CODE LETTER | ENCL. |
| 115 | CONT | 40/F | 1.15 | B | G | TEFC |
| E/S | ROTOR | TEST S.O. | TEST DATE | STATOR RES. @25 °C OHMS (BETWEEN LINES) | | |
| 498874 | 418143052KE | --- | --- | .0599 | | |

PERFORMANCE


| LOAD | HP | AMPERES | RPM | POWER FACTOR % | EFFICIENCY % |
|---------|------|---------|------|----------------|--------------|
| NO LOAD | 0 | 35.8 | 1800 | 3.97 | 0 |
| 1/4 | 31.3 | 49.1 | 1796 | 51.1 | 93.4 |
| 2/4 | 62.5 | 67.1 | 1792 | 73.0 | 95.5 |
| 3/4 | 93.7 | 89.7 | 1788 | 81.7 | 95.8 |
| 4/4 | 125 | 115 | 1784 | 85.3 | 95.5 |
| 5/4 | 156 | 142 | 1780 | 86.6 | 95.0 |

SPEED TORQUE

| | RPM | TORQUE % FULL LOAD | TORQUE LB.-FT. | AMPERES |
|--------------|------|--------------------|----------------|---------|
| LOCKED ROTOR | 0 | 133 | 489 | 713 |
| PULL UP | 270 | 114 | 420 | 700 |
| BREAKDOWN | 1729 | 290 | 1067 | 400 |
| FULL LOAD | 1784 | 100 | 368 | 115 |

AMPERES SHOWN FOR 575. VOLT CONNECTION. IF OTHER VOLTAGE CONNECTIONS ARE AVAILABLE, THE AMPERES WILL VARY INVERSELY WITH THE RATED VOLTAGE

REMARKS: CALCULATED DATA
NEMA NOMINAL EFFICIENCY = 95.4PCT.

| | | |
|--|---|--|
|  A MEMBER OF THE ABB GROUP | DR. BY C. JAMISON CK. BY W. SMITH APP. BY W. SMITH DATE 04/09/12 | A-C MOTOR PERFORMANCE DATA A44WG3904-R001 ISSUE DATE 04/09/12 |
|--|---|--|

617427-001

DUTY MASTER ALTERNATING CURRENT MOTORS

SQUIRREL-CAGE INDUCTION

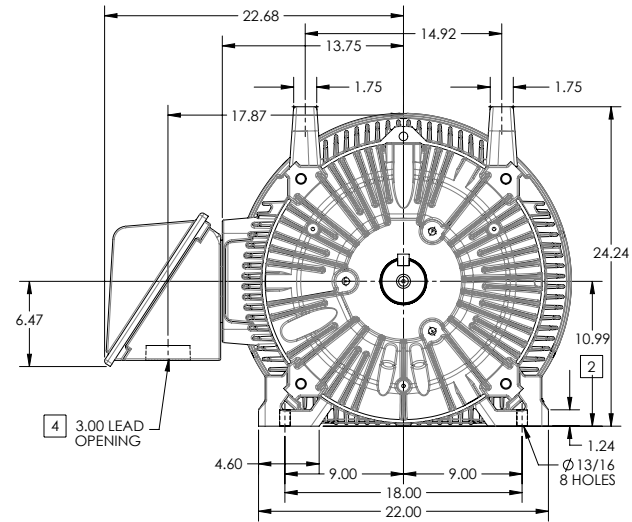
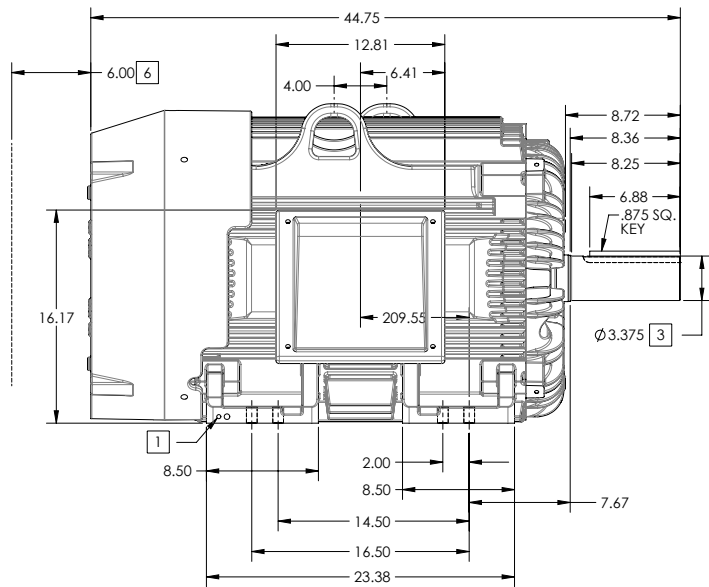
ENCLOSURE: TOTALLY ENCLOSED

FRAME G445T ABOVE NEMA RATINGS

COOLING: FAN COOLED

MOUNTING: FOOT

INCLUDES 444T FRAME MOUNTING HOLES



1. GROUND HOLES QTY 1 1/2-13 TAP; QTY 1 3/8-16 TAP
2. VARIES +.00,-.06
3. VARIES +.00,-.001
4. ON STANDARD MOTORS THIS IS CONDUIT SIZE. ON XT AND CORROSION PROOF MOTOR THIS IS PIPE TAP.
5. MOTOR WEIGHTS MAY VARY BY 15% DEPENDING ON RATING.
6. OBSTRUCTION MUST NOT ENCROACH ON AIR INLET

CONDUIT BOX LOCATED ON OPPOSITE SIDE WHEN F-2.
IF MOUNTING CLEARANCE DETAILS ARE REQUIRED, CONSULT FACTORY.
MAXIMUM PERMISSIBLE SHAFT RUNOUT WHEN MEASURED AT END OF STANDARD SHAFT EXTENSION IS .003" T.I.R. TO 5 INCH DIA.

[5] WEIGHT (LBS): 2130

DRIVE END AIR DEFLECTOR IS ONLY INCLUDED WHEN NECESSARY.

DIMENSIONS ARE IN INCHES; SEE SHEET 2 FOR DIMENSIONS IN MILLIMETERS

CUSTOMER IS RESPONSIBLE FOR DETERMINING THAT MOTOR PERFORMANCE IS SUITABLE IN THE APPLICATION.

SHEET NUMBER
1 OF 2

100-2727-119

| | | | |
|--|-------------|------------------------------|------------------|
| REV. DESC SHEET 2 NEEDS METRIC FOOT HOLE DIMENSION | | | |
| REV: E | VERSION: 05 | REVISED: 09-22-56 06/12/2014 | TDR: 00000857938 |
| MODEL NO. 617427-001 | | | REF: |
| BY: RAGRA | Material: | | |

BALDOR

G445T444T STD - FOOTED - SIDE/CENTER CB

617427-001

617427-001

DUTY MASTER ALTERNATING CURRENT MOTORS

SQUIRREL-CAGE INDUCTION

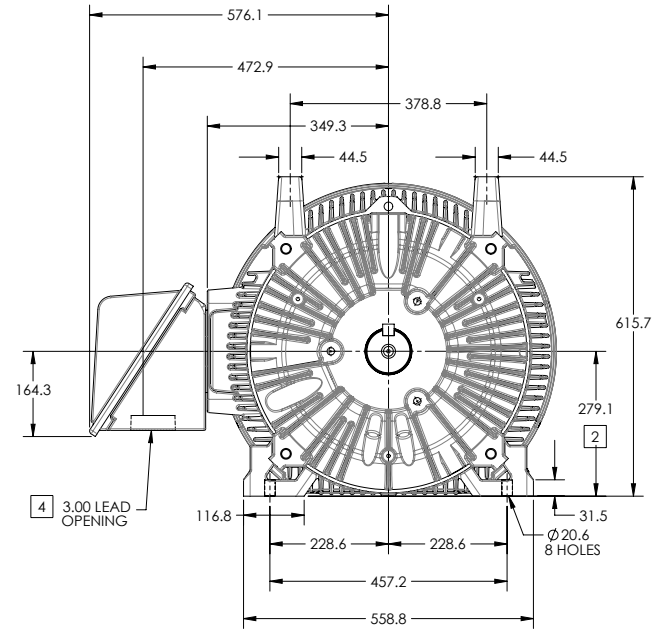
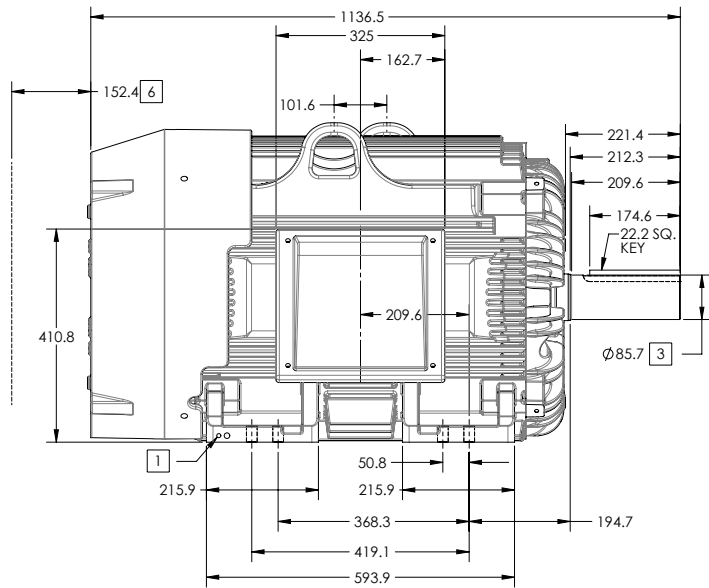
ENCLOSURE: TOTALLY ENCLOSED

FRAME G445T ABOVE NEMA RATINGS

COOLING: FAN COOLED

MOUNTING: FOOT

INCLUDES 444T FRAME MOUNTING HOLES



1. GROUND HOLES QTY 1 1/2-13 TAP; QTY 1 3/8-16 TAP
2. VARIES +0,-1.5
3. VARIES +.00,-.03
4. ON STANDARD MOTORS THIS IS CONDUIT SIZE. ON XT AND CORROSION PROOF MOTOR THIS IS PIPE TAP.
5. MOTOR WEIGHTS MAY VARY BY 15% DEPENDING ON RATING.
6. OBSTRUCTION MUST NOT ENCROACH ON AIR INLET

CONDUIT BOX LOCATED ON OPPOSITE SIDE WHEN F-2. IF MOUNTING CLEARANCE DETAILS ARE REQUIRED, CONSULT FACTORY. MAXIMUM PERMISSIBLE SHAFT RUNOUT WHEN MEASURED AT END OF STANDARD SHAFT EXTENSION IS .08 MM T.I.R. TO 127 MM DIA.

[5] WEIGHT (KGS): 970

DRIVE END AIR DEFLECTOR IS ONLY INCLUDED WHEN NECESSARY.

DIMENSIONS ARE IN MILLIMETERS; SEE SHEET 1 FOR DIMENSIONS IN INCHES

CUSTOMER IS RESPONSIBLE FOR DETERMINING THAT MOTOR PERFORMANCE IS SUITABLE IN THE APPLICATION.

SHEET NUMBER
2 OF 2

100-L272119

| | | | |
|--|-------------|------------------------------|------------------|
| REV. DESC SHEET 2 NEEDS METRIC FOOT HOLE DIMENSION | | | |
| REV: E | VERSION: 05 | REVISED: 09-22-56 06/12/2014 | TDR: 00000857938 |
| MODEL NO. 617427-001 | | REF: | |
| BY: RAGRA | Material: | C | |

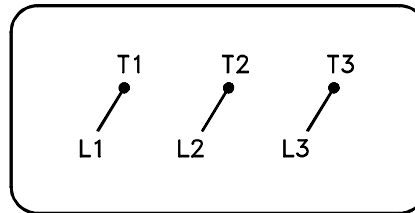
BALDOR

G445T444T STD - FOOTED - SIDE/CENTER CB

617427-001

416820-036

A-C MOTOR
 CONNECTION DIAGRAM
 STANDARD 3 LEAD CONNECTED



(N.P. 1575-BA)

416820-036

| | | |
|--------------------------------------|------------------------------|-------------------|
| REV. DESC: LOADED TO BUS, C/R 335225 | | |
| REV. LTR: - | VERSION: 00 | TDR: 000000538207 |
| FILE: \MGA\00000\682 | REVISED: 11:54:06 04/30/2010 | |
| MTL: - | BY: RAGRA | |

BALDOR

CONN DIAG - STANDARD 3 LEAD

SH 1 of 1